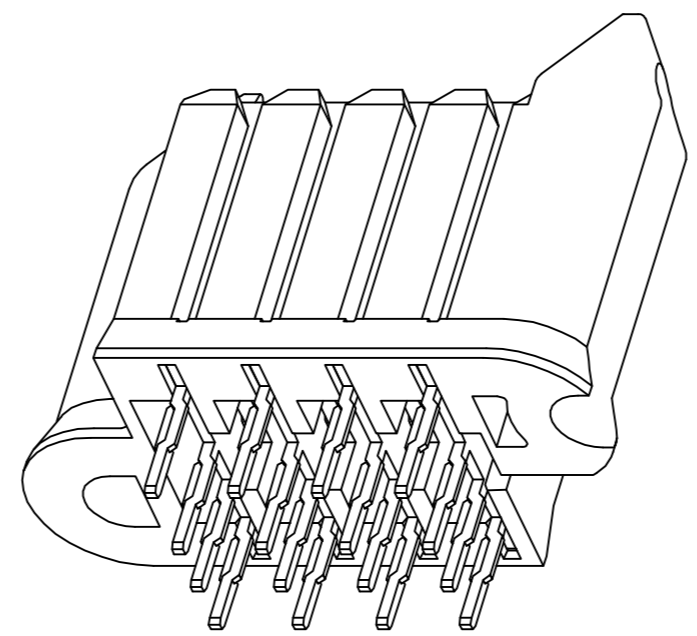
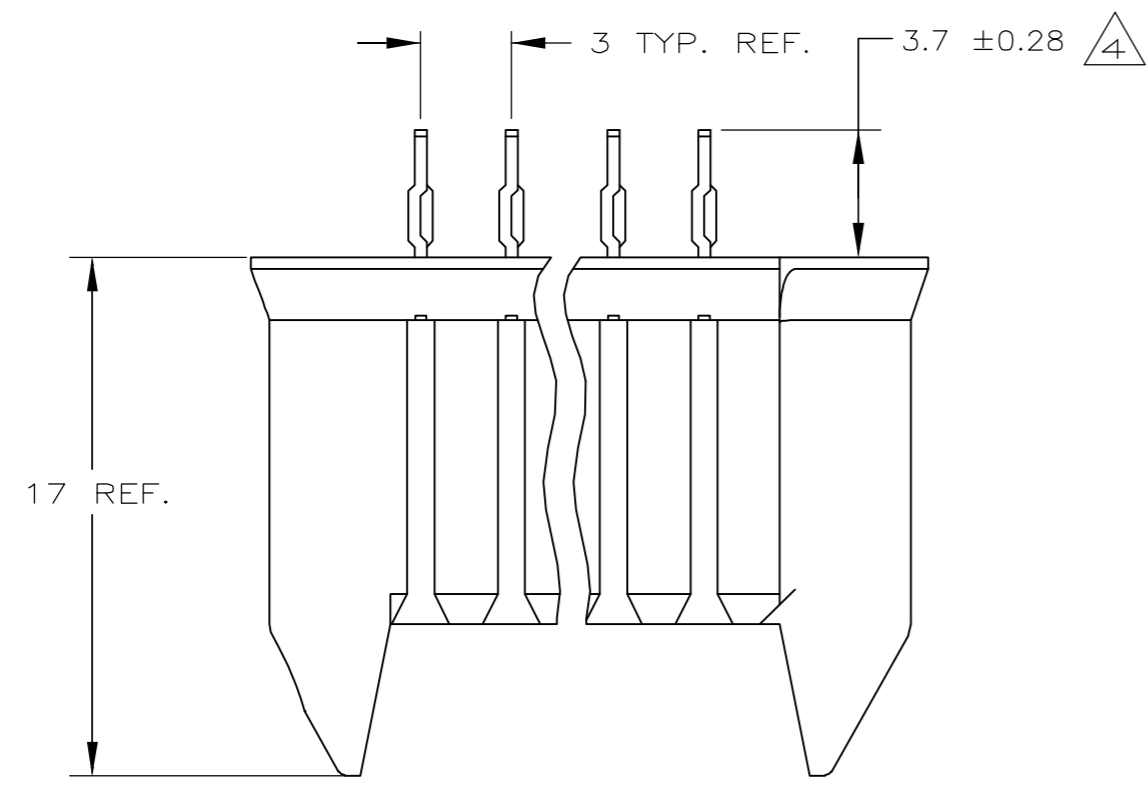
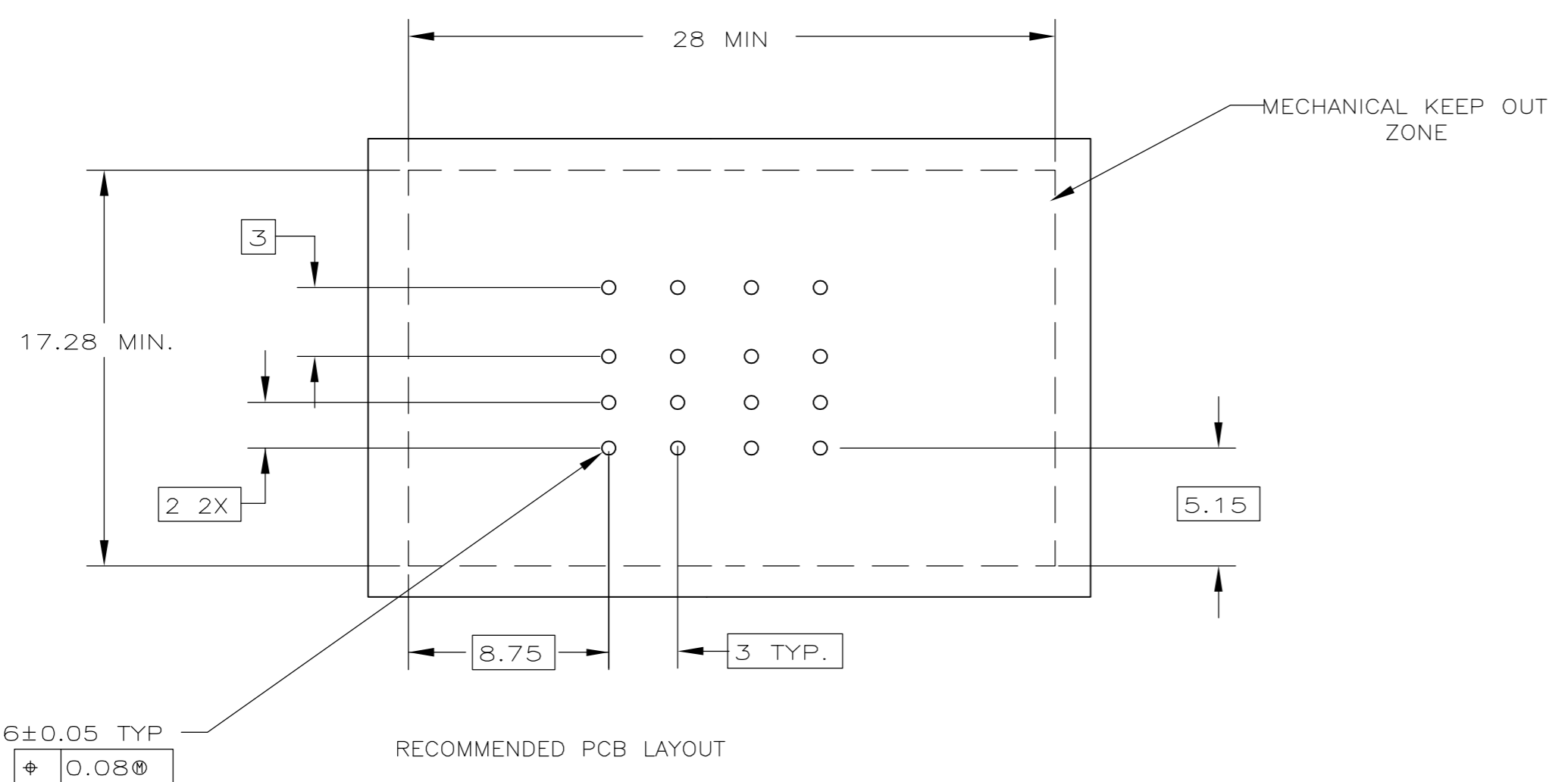
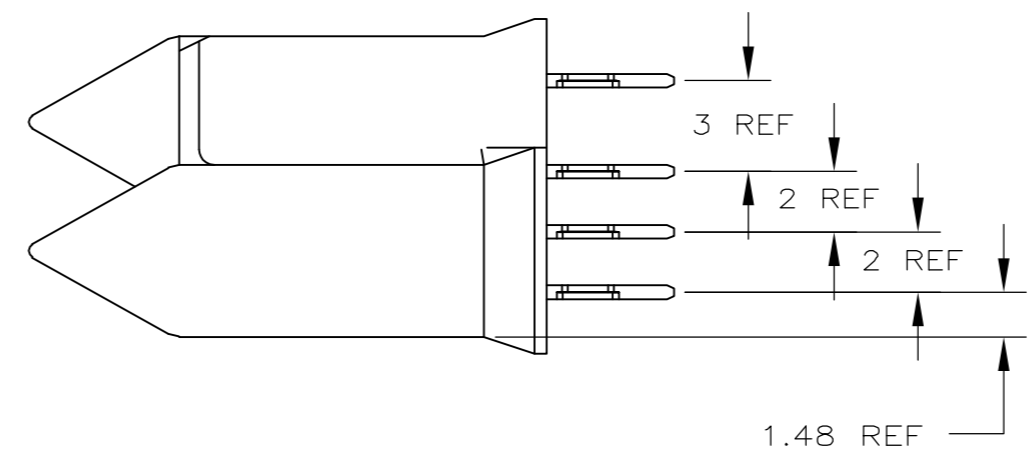
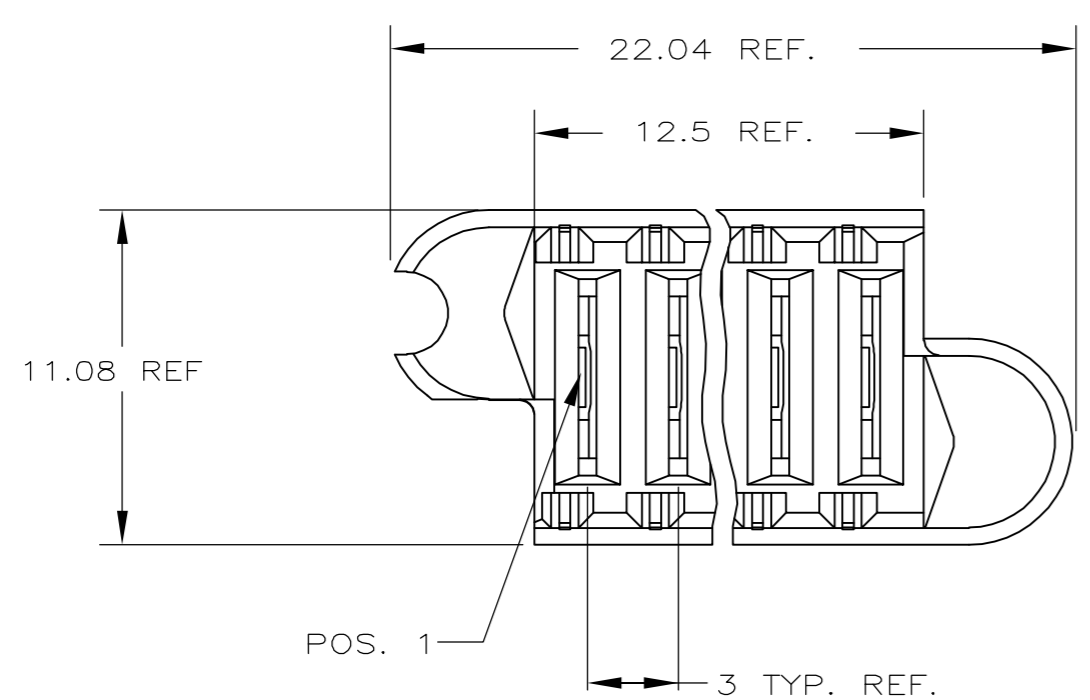


THIS DRAWING IS UNPUBLISHED. RELEASED FOR PUBLICATION
 © COPYRIGHT BY TYCO ELECTRONICS CORPORATION. ALL RIGHTS RESERVED.

LOC	DIST	REVISIONS			
P	LTR	DESCRIPTION	DATE	DWN	APVD
GP	00	A	RELEASE	20OCT05	RG AWF



- 1 MATERIAL: HOUSING - HIGH TEMP THERMO PLASTIC (UL 94 V-0), BLACK
- 2 CONTACT MATERIAL : HIGH - CONDUCTIVITY COPPER ALLOY
- 3 CONTACT PLATING: 1.27 μm MIN AU OVER 1.27 μm Ni ON CONTACT AREA. SnPb OVER Ni ON TAILS
- 4 DIMENSION APPLIES AFTER CONNECTOR IS APPLIED TO PCB.



THIS DRAWING IS A CONTROLLED DOCUMENT.		DWN R.GRZYBOWSKI 20OCT05	Tyco Electronics Corporation Harrisburg, PA 17105-3608	
DIMENSIONS: mm		CHK A.FRANTUM 20OCT05	NAME S.FLICKINGER	
TOLERANCES UNLESS OTHERWISE SPECIFIED:		APVD S.FLICKINGER 20OCT05	PRODUCT SPEC 108-1998	
0 PLC ± -		APPLICATION SPEC 114-13067		SIZE A2
1 PLC ± 0.25		WEIGHT -		CAGE CODE 00779
2 PLC ± 0.13		FINISH 1-2		DRAWING NO C=1888177
3 PLC ± 0.05		FINISH 3		RESTRICTED TO -
4 PLC ± 0.025		CUSTOMER DRAWING		SCALE 1:1
ANGLES ± 2'		SCALE 1:1		SHEET 1 of 1
MATERIAL		SCALE 1:1		REV A

1888177