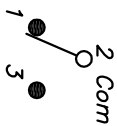


RECOMMENDED P.C.B. LAYOUT



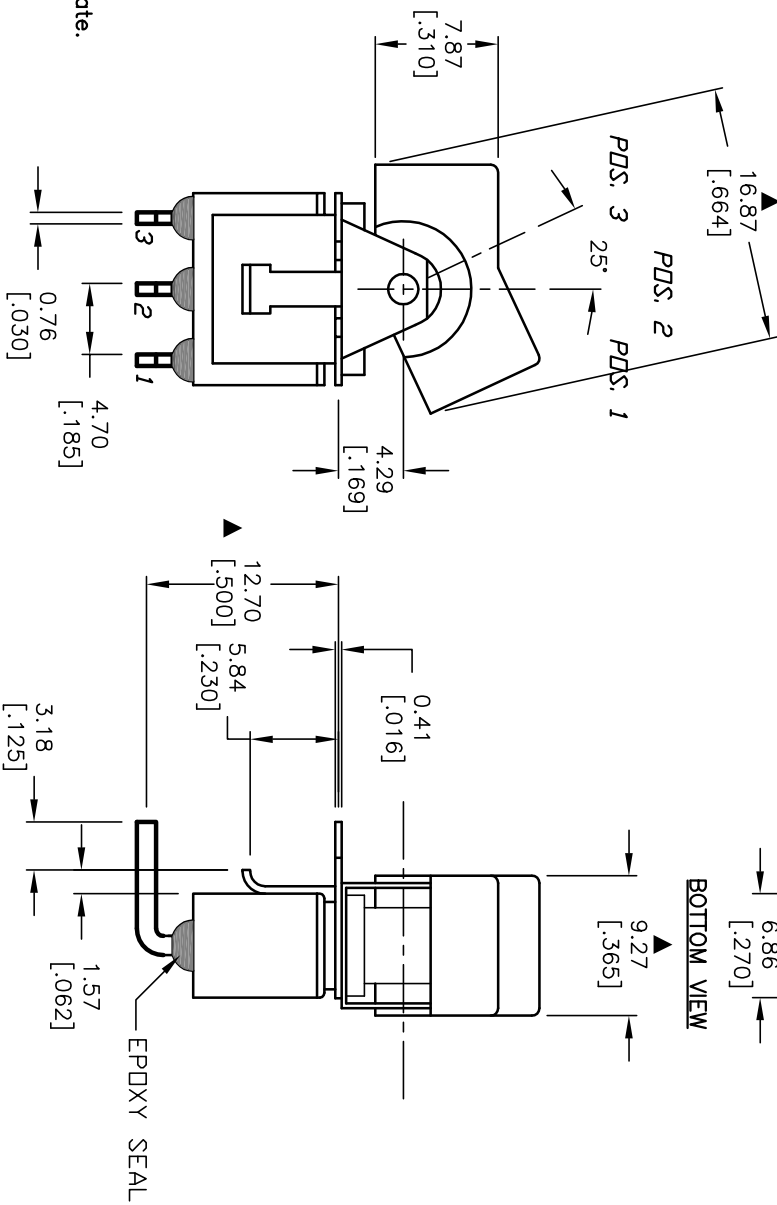
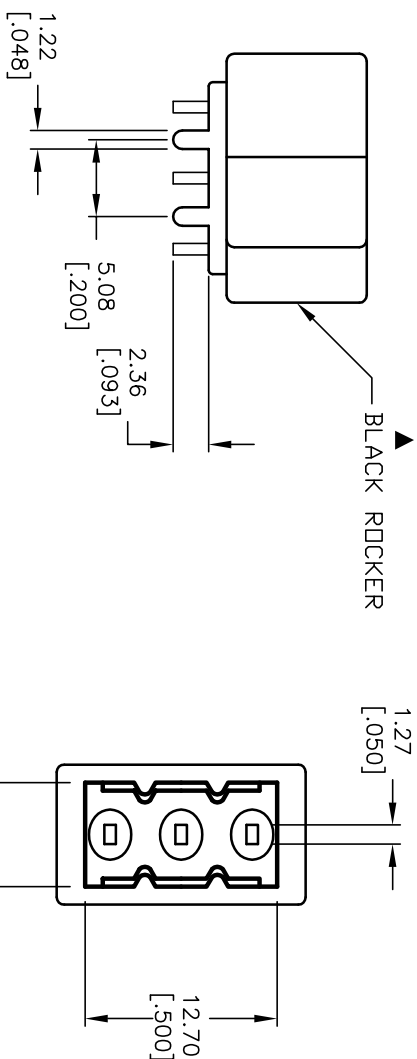
CIRCUIT: SPST

SWITCH FUNCTION		
PDS: 1	PDS: 2	PDS: 3
DN	NONE	<DN>
2-3	OPEN	2-1

<DN> = MOMENTARY

NOTES:

1. ALL DIMENSIONS IN MM [INCH]
2. GENERAL TOLERANCE: X.X=±0.4 X.XX=±0.25
3. TERM. NOS. FOR REF. ONLY
4. RATING: 0.4VA @20V max.
5. MATERIAL: FIXED TERMINAL & MOVING CONTACT  
Copper Alloy w/Gold Plate over Nickel plate.
6. CONTACT RESISTANCE: 10mILLI Ohms max initial  
@2-4VDC, 100ma for AG & AU
7. ELECTRICAL LIFE: 50,000 make-and-break  
cycles at full load.
8. INSULATION RESISTANCE: 1,000M ohm min.
9. DIELECTRIC STRENGTH: 1000V RMS @sea level
10. OPERATING TEMP.: -30°C to 85°C



REV.	ECN No.	DESCRIPTION	DATE	CHKD
B	14332	CORRECT TERMINAL #'S	9/21/04	AR
A	14190	RELEASED FOR PRODUCTION	7/27/04	AR

**E-SWITCH®**

300SP2J1BLKM6RE

TITLE: 300SP2J1BLKM6RE

SCALE: 2:1

DATE: 7/27/04

DR: AR

DWG: T311041

REV: B

THE INFORMATION CONTAINED IN THIS DOCUMENT IS PROPRIETARY TO E-SWITCH AND IS NOT TO BE COPIED OR TRANSMITTED