

REV	ECN NO	REVISIONS	DRN	CKD	APP	DATE
A		NEW RELEASE	ALV	MES		

PART NUMBER	LED COLOR		
	POSITION 1	POSITION 2	POSITION 3
568-2232-806F	GREEN NON-DIFFUSED	GREEN NON-DIFFUSED	GREEN NON-DIFFUSED

OPERATING CHARACTERISTICS AT 25°C AMBIENT			
CHARACTERISTICS	MIN	TYP	MAX
LUMINOUS INTENSITY	32	50	mcd
FORWARD VOLTAGE	2.1	2.8	V
REVERSE CURRENT	100		µA
PEAK WAVELENGTH	565		nm
VIEWING ANGLE	45		Degree
CAPACITANCE	35		pf

**ABSOLUTE MAXIMUM RATINGS AT 25 °C AMBIENT**

CHARACTERISTICS	VALUES	UNITS
POWER DISSIPATION	100	mW
DERATING LINEAR FROM 50°C	0.4	mA/°C
CONTINUOUS FORWARD CURRENT	30	mA
PEAK FORWARD CURRENT (1/10 DUTY CYCLE, .01 ms PULSE WIDTH)	120	mA
LEAD SOLDERING TEMPERATURE, 5 SEC.. 1/16" FROM BODY	260	°C
REVERSE VOLTAGE	5	V
OPERATING TEMPERATURE	-55 TO 100	°C
STORAGE TEMPERATURE	-55 TO 100	°C

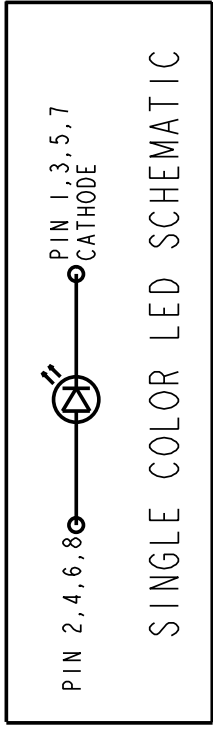
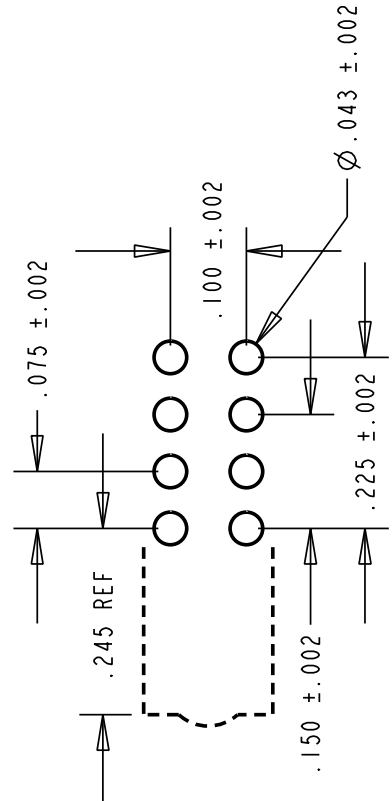
**NOTES:**

- LEADS TO FIT INTO HOLES SPACED AS PER HOLE PATTERN
- LEADS TO BE FREE OF DEFORMATION AFTER BENDING AND CUTTING
- LEAD DIMENSIONS SHOWN ARE MEASURED AT HOUSING EXIT
- LEAD THICKNESS = .016 x .018 = ALL LEADS
- THIS PRODUCT IS Pb FREE. IT IS IN COMPLIANCE WITH THE EUROPEAN UNION'S ROHS DIRECTIVE. EACH BAG IS MARKED WITH THE ROHS COMPLIANT LABEL P/N 9100-117-0852-99 OR EQUIVALENT
- DIALIGHT PART NUMBER = 568-2232-806F
- THIS ASSEMBLY CONTAINS ELECTROSTATIC DISCHARGE SENSITIVE DEVICES (ESDS). MAINTAIN ALL PRECAUTIONARY MEASURES DURING ASSEMBLY, HANDLING AND STORAGE IN ACCORDANCE WITH IPC-A-610.

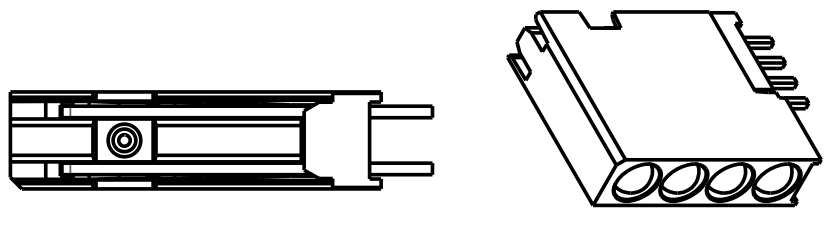
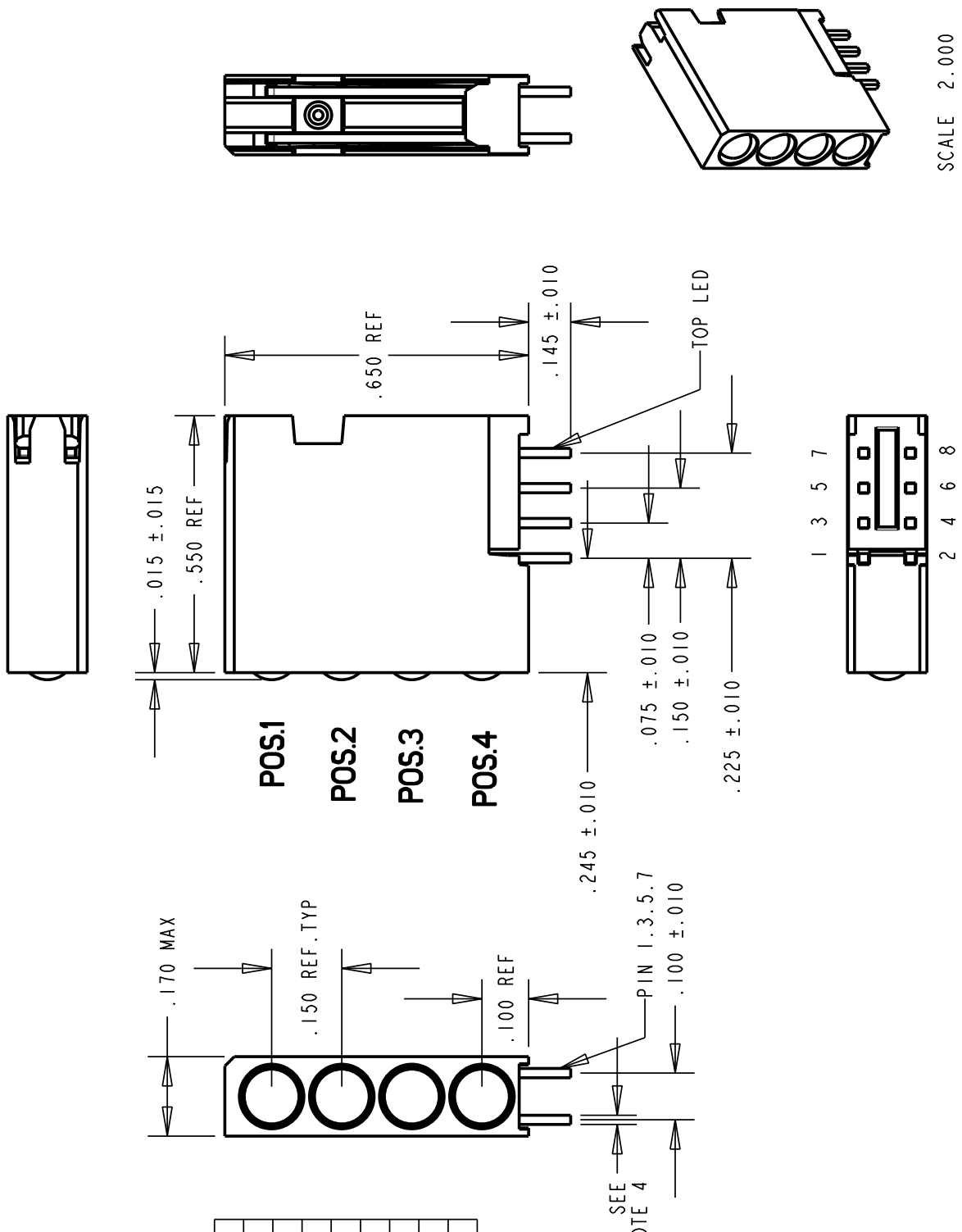
**RoHS Compliant 568-2232-806F**

Packaging is marked with "RoHS Compliant" label or equivalent markings.  
Parts can be wave soldered, dip soldered or hand soldered using typical lead-free soldering process with max 260°C temp. for 5 sec.

**RECOMMENDED HOLE PATTERN GAUGE**



**ATTENTION:**  
OBSERVE PRECAUTIONS FOR  
HANDLING ELECTROSTATIC  
SENSITIVE DEVICES



SCALE 2.000

THIS DRAWING AND THE CONTENTS HEREIN ARE CONFIDENTIAL AND THE SOLE PROPERTY OF DIALIGHT. REPRODUCTION OF THIS DRAWING OR CONSTRUCTION OF ANY PARTS WITHIN THIS DRAWING ARE FORBIDDEN WITHOUT THE WRITTEN CONSENT OF DIALIGHT.	
SCALE: 4.000	DRAWING NUMBER
ALL DIM'S IN: INCHES (MM)	C-17545
TOLERANCES: UNLESS OTHERWISE SPECIFIED	REV
FRACTIONS: ±1/64	A
DECIMALS (.XX): ±.01	
DECIMALS (.XXX): ±.005	
DECIMALS (.XXXX): ±.0005	
ANGLES: ±1°	
FINISH:	
TITLE 4 x 1 CBI BLOCK-.150 PITCH G.G.G.G	
MATERIAL .145 LEAD LENGTH ROHS COMPLIANT	
FSCM 83330	SHEET 1 OF 1
1501 ROUTE 34 SOUTH	FAMILY TABLE:
FARMINGDALE, NJ 07727	