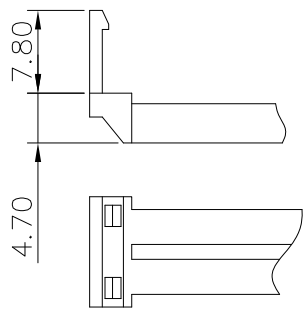
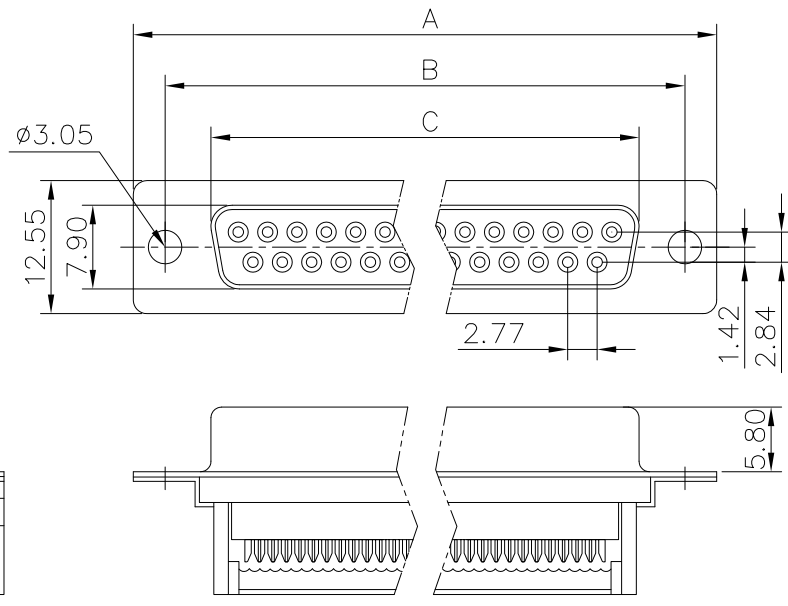


This document is the property of Amphenol Corporation and is delivered on the express condition that it is not to be disclosed, reproduced or used, in whole or in part, for manufacture or sale by anyone other than Amphenol Corporation without its prior consent, & that no right is granted to disclose or to use any information in this document.



Strain Relief

Customer drawing



Nb OF CONTACTS	A	B	C
09	30.84	24.99	16.24
15	39.24	33.32	24.56
25	53.04	47.04	38.38
37	69.32	63.50	54.76

REVISIONS				
SYM	ECN	DESCRIPTION	DATE	APPROVED
1			04/17/08	

D-SUB TECHNICAL DATA

SHELL : Steel, 100u"min tin over 50u"min nickel
 BODY : Glass filled thermoplastic.
 Flame retardant to UL94 V-0 color black
 CONTACTS : Brass
 0.76um(30u") min gold over 1.25um (50u") min nickel on mating area
 2.5um(100u") min gold over 1.25um (50u") min nickel on termination
 ELECTRICAL : Voltage rating : 250 V RMS at 60 Hz,
 Current rating 3A
 Insulation resistance >1000 M Ohms
 Contact resistance 20 mOhms max.
 CLIMATIC : Temperature range -55°C up to 125°C
 MARKING : Amphenol-...(Series No.)
 Commercial reference
 Manufacturing date

PRODUCT CODE

L 17D X FR A XX S C309

L : RoHS Compliance

17D : tinned shell for plug and receptacle

Shell size : E,A,B,C

Flat ribbon cable type

Plating option:
Valid only for
0.76um(30u")

Contact type
S=socket

Configuration : 09,15,25,37

Type : A=front metal shell

UNLESS OTHERWISE SPECIFIED TOLERANCES		APPROVAL		DATE
U.S.	METRIC	DRAWN	Checked	06/11/09
.X +/-	0.4	Christina.cou		
.XX +/-	0.30			
.XXX +/-	0.20	Checked	lik.wang	06/11/09
FRACTIONS +/-	2'			
ANGLES +/-				
FOR MATERIALS AND FINISHES SEE NOTES		DRAWING FILE :		
REMOVE SHARP EDGES		ANGLE OF PROJECTION		
DIMENSIONS				
U.S.	INCHES			
METRIC	MM			

Amphenol®

TITLE
IDC Flat Cable D-Sub Series

SIZE	DRAWING NO.	REV.
A4	C L17DXFRAXXSC309	1
SCALE	NONE	SHEET 1 OF 1