

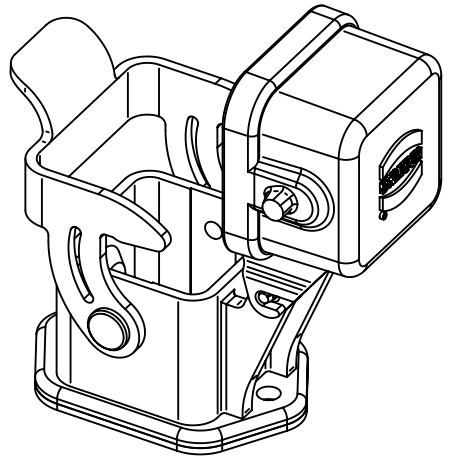
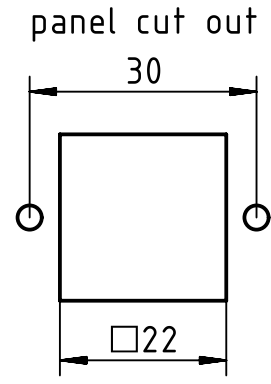
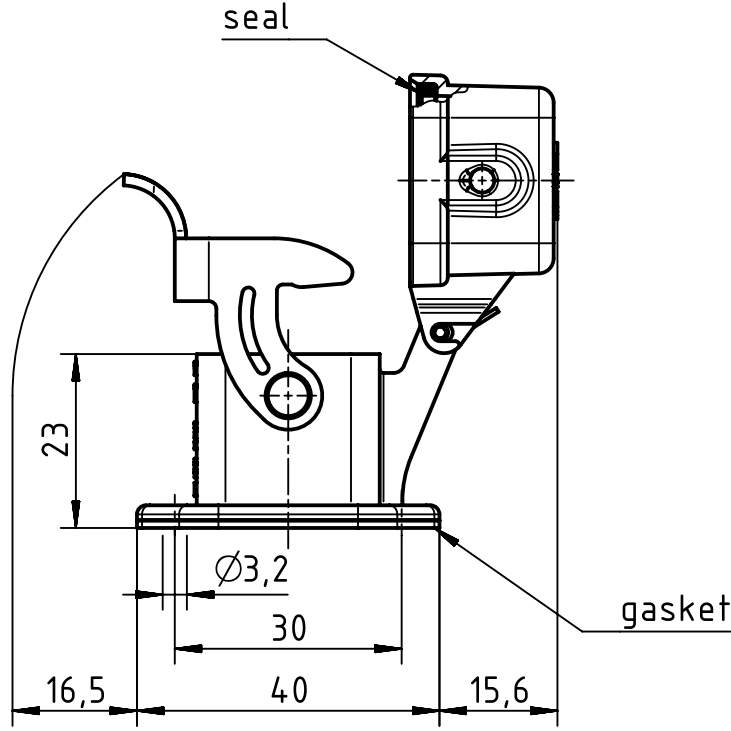
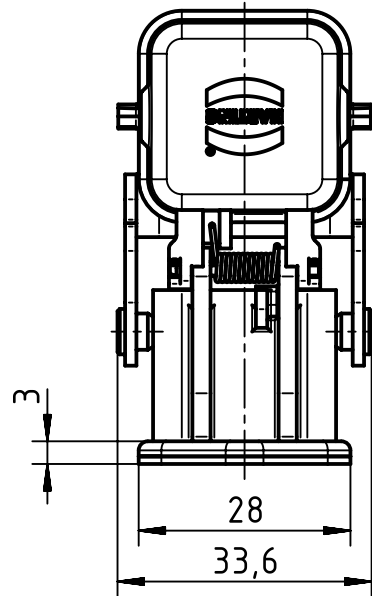
1 2 3 4 5 6

A


B

C

D



cover with seal

	All rights reserved Department EL PD - DE	All Dimensions in mm Original Size DIN A4		Scale 1:1	Free size tol.	Ref.
		HARTING Electric GmbH & Co. KG D-32339 Espelkamp	Created by RULLKOETTER	Inspected by BERGHORN	Standardisation TIEMANNA	Date 2014-02-20
Title Han 3A cover with seal						Doc-Key / ECM-Nr. 100205497/UGD/004/A 500000071820
Type TB				Number 09 20 003 0306		Rev. A
						Page 1/1