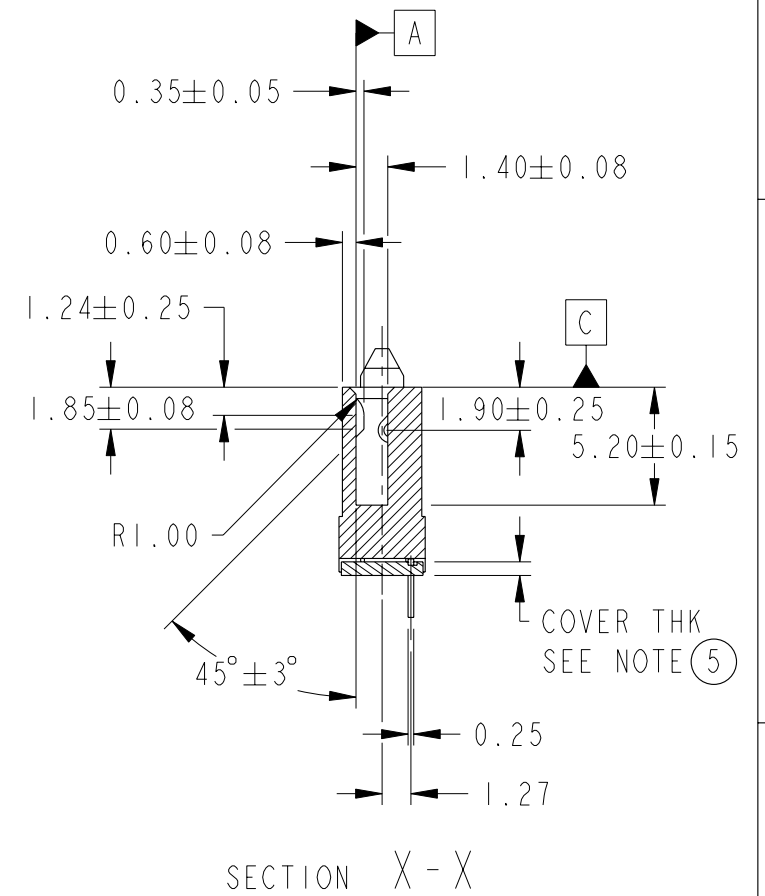
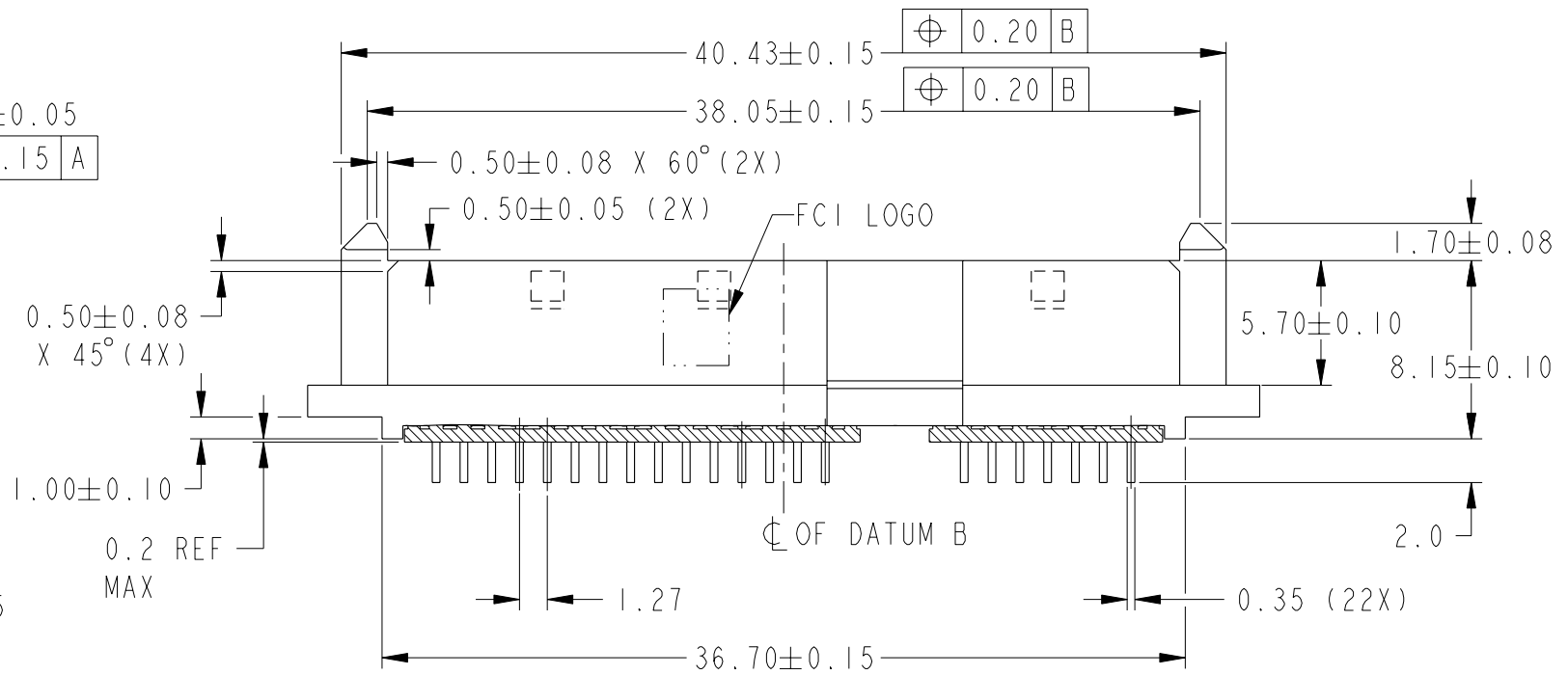
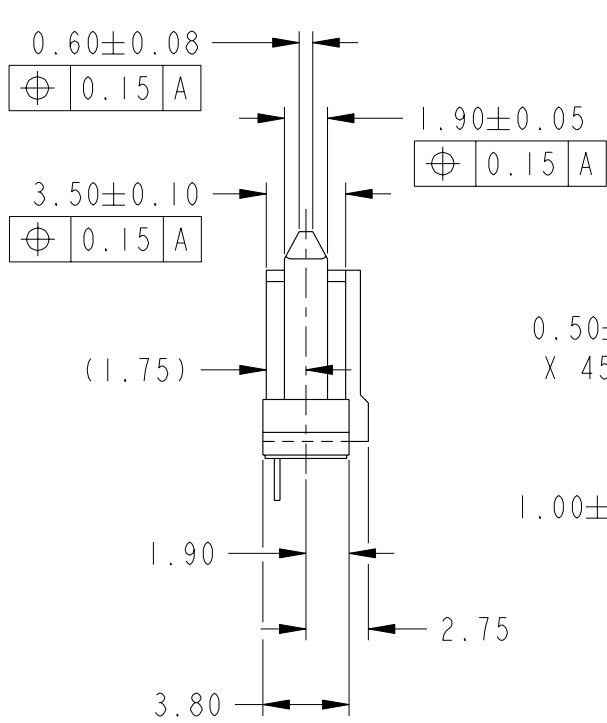
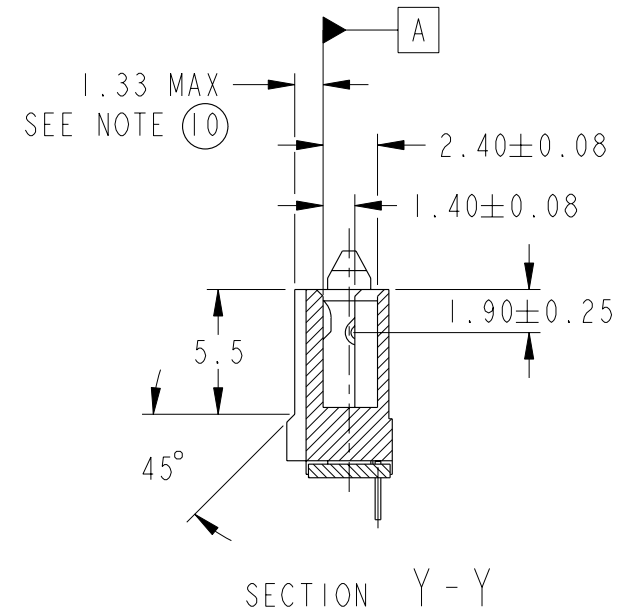
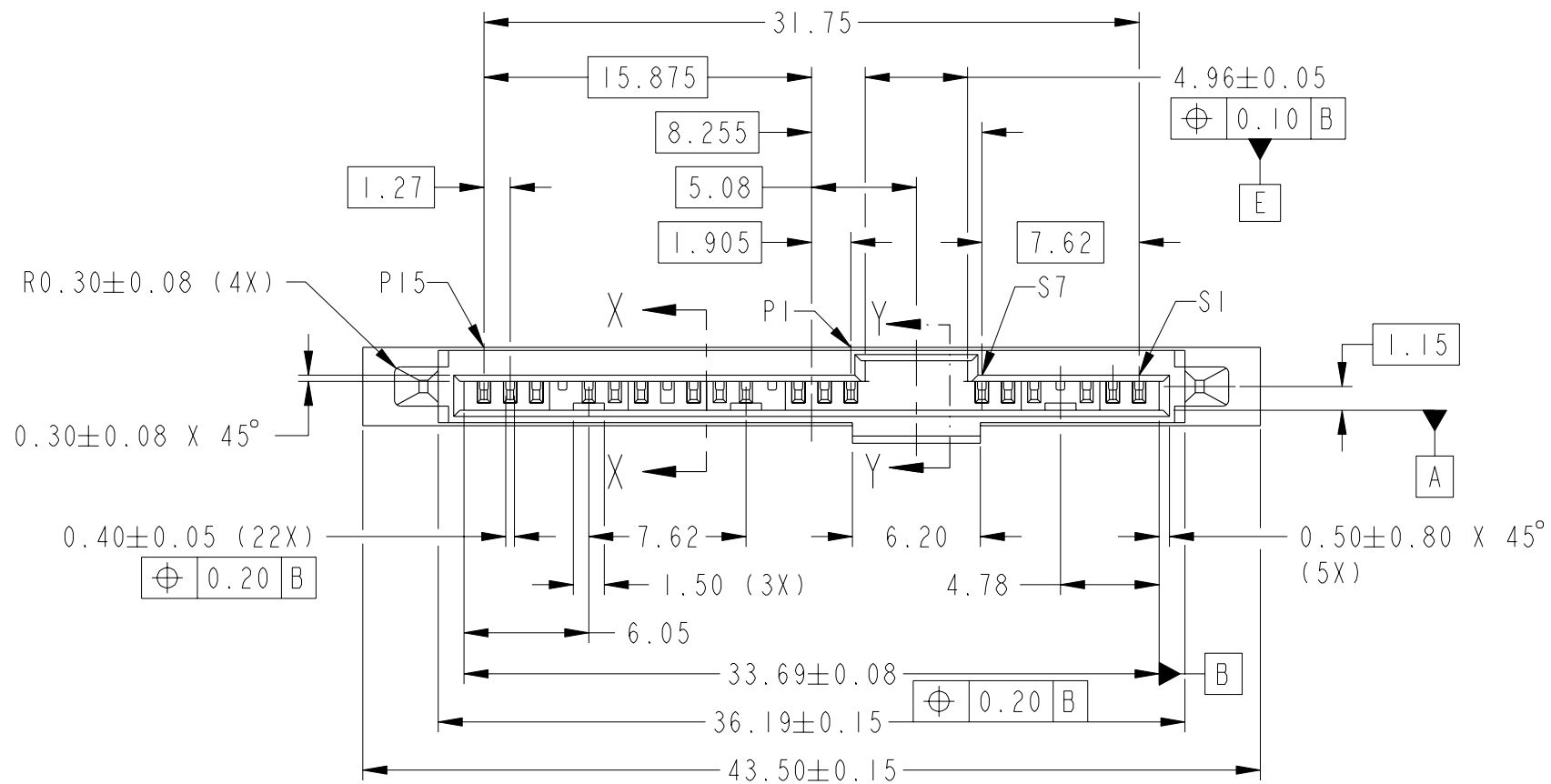


PRODUCT NO
10054542-001LF



Copyright FCI.

spec ref	-	dr	GL LOO	2006-05-23	projection	MM	size	A3	scale	3:1	
tolerance std	ISO 406 ISO 1101	eng	GL LOO	2006-05-23			ecn no	S10-0228	rel level	-	
TOLERANCES UNLESS OTHERWISE SPECIFIED		chr	GL LOO	2010-10-28							product family
surface	ISO 1302	appr	JOEY NG	2010-10-28	SAS		rel level	-	-		
linear	0.X ± - 0.XX ±0.20 0.XXX ± -			SAS CABLE RECEP CONNECTOR		cat. no.	-	Product - Customer Drw	sheet 1 of 2	rev	B
angular	0° ±2°	www.fci.com		-		Product - Customer Drw	sheet 1 of 2	-		-	

NOTES:

1. THIS PRODUCT MEETS THE SAS SPEC REV 1.7
2. MATERIAL :
 1) HOUSING : HIGH TEMP. THERMOPLASTIC, UL 94V-0
 COLOR : BLACK
 2) TERMINAL : COPPER ALLOY
3. FINISH :
 1) TERMINAL : 3 μ " Au PLATING (CONTACT POINT)
 OVER 50 μ " MIN NICKEL
 2) SOLDER TAIL : 50 μ " MIN TIN OVER 50 μ " MIN NICKEL
4. TRUE POSITION NOTES APPLY AT TERMINAL TIP
- ⑤ COVER :
 MATERIAL : THERMOPLASTIC,
 THK = 0.8mm REF
6. THE STD PACKAGING IS IN TRAY.
7. THE HOUSING WILL WITHSTAND EXPOSURE TO 260°C PEAK TEMPERATURE FOR 10 SECONDS IN A WAVE SOLDER APPLICATION WITH 1.57MM THICK CIRCUIT BOARD.
- ⑧ THIS PRODUCT MEETS EUROPEAN UNION DIRECTIVES AND OTHER COUNTRY REGULATIONS AS DESCRIBED IN GS-22-008.
- ⑨ PART NUMBERS ENDING IN "LF" MEANS FOR NOTE ⑧ LEAD FREE IDENTIFICATION.
- ⑩ MEASURED AT DATUM C
- ⑪ A $\triangle B$ SYMBOL WILL BE NEXT TO ANY DIMENSION, VIEW, OR NOTE WHICH HAS BEEN MODIFIED WITH THE CURRENT DRAWING REVISION.



Copyright FCI.

spec ref -		dr	GL LOO	2006-05-23	projection 	MM 	size	A3	scale	3:1
tolerance std ISO 406 ISO 1101		eng	GL LOO	2006-05-23			ecn no	S10-0228		
TOLERANCES UNLESS OTHERWISE SPECIFIED		chr	GL LOO	2010-10-28			rel level	-		
surface \checkmark	linear	0.X	\pm -	FCI 	title SAS CABLE RECEP CONNECTOR	dwg no 10054542	rev B			
		0.XX	± 0.20							
		0.XXX	\pm -							
ISO 1302	angular	0°	$\pm 2^\circ$	www.fci.com	cat. no.	-	Product - Customer Drw	sheet 2 of 2		