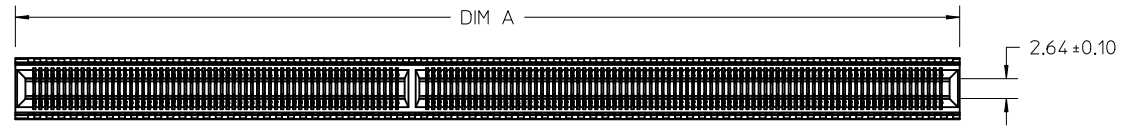
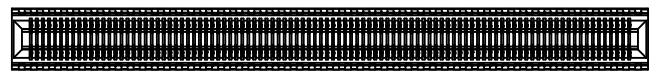


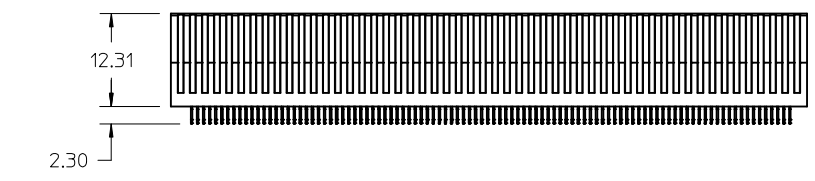
PART NUMBER	VERSION	BAY 1/BAY 2	TOTAL CIRCUITS	DIM A	SALES DRAWING (SEE NOTE 8)
170672-2294	2 BAY	122/172	294	125.03	SD-170672-2294
170672-2278	2 BAY	146/132	278	118.63	SD-170672-2278
170672-1200	1 BAY	200	200	84.20	SD-170672-1200
170672-1170	1 BAY	170	170	72.20	SD-170672-1170



2 BAY EDGELINE

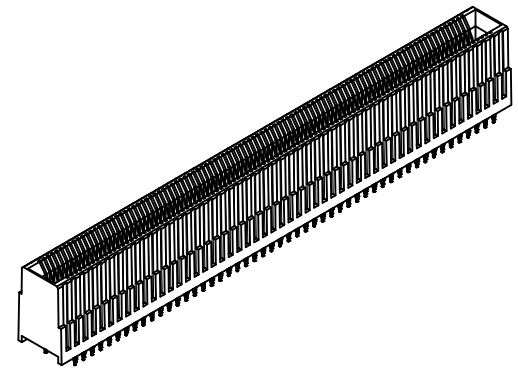
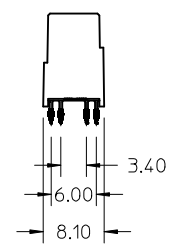


1 BAY EDGELINE



LAST CIRCUIT

FIRST CIRCUIT

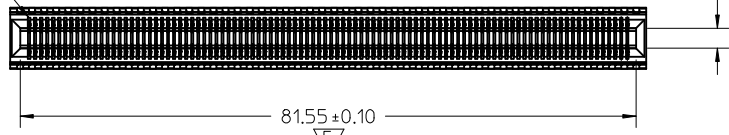


NOTES:

- MATERIAL:
HOUSING - GLASS FILLED THERMOPLASTIC, 94-V0, BLACK
TERMINALS - COPPER ALLOY
- FINISH:
CONTACT AREA: HARD GOLD -0.76µm MIN OVER 3.80µ NICKEL
COMPLIANT AREA: TIN - 0.76/1.52µm OVER NICKEL
- REFER TO PS-75594-999 PRODUCT SPECIFICATION FOR ALL ELECTRICAL, MECHANICAL AND ENVIROMENTAL SPECIFICATIONS.
- PROCESSING: PRESSFIT TO PC BOARD.
- MATING PC BOARD THICKNESS = 2.36±0.16MM OVER CONTACT PADS.
- PRODUCT IS ELV AND RoHS COMPLIANT. LEVEL OF COMPLIANCE: 6/6
ALL BANNED SUBSTANCES ARE REMOVED:
Pb (LEAD)
HEXAVALENT CHROMIUM (CrVI)
CADMIUM
MERCURY
POLYBRMINATED BIPHENYL (PBB)
POLYBROMINATED DIPHENYL ETHER (PBDE)
- THIS PART CONFORMS TO CLASS B REQUIREMENTS OF COSMETIC SPEC PS-45499-002
- FOR EDGECARD AND MOUNTING PCB LAYOUT DETAIL SEE CORRESPONDING SALES DRAWING.

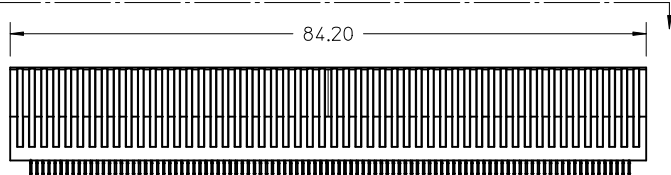
RELEASED REV A EC NO: UCP2011-2702 DRWNG: DROSCA 2011/03/07 CHKD: JCOMERC I 2011/03/28 APPR: JCOMERC I 2011/03/28	DESCRIPTION REV A	QUALITY SYMBOLS	GENERAL TOLERANCES (UNLESS SPECIFIED)	DIMENSION STYLE	SCALE	DESIGN UNITS	THIRD ANGLE PROJECTION
		▽ = 0	mm INCH	MM ONLY	2:1	METRIC	
		▽ = 0	4 PLACES ± --- ± --- 3 PLACES ± --- ± --- 2 PLACES ± --- ± --- 1 PLACE ± --- ± ---	DRAWN BY DATE DROSCA 2010/07/01	TITLE	EDGELINE 12.5GB 0.093" PCB 0.8MM PITCH	
▽ = 0	ANGULAR ±1/2°	CHECKED BY DATE JCOMERC I 2011/03/28	APPROVED BY DATE JCOMERC I 2010/10/25	MOLEX INCORPORATED			SHEET NO. 1 OF 1
		DRAFT WHERE APPLICABLE MUST REMAIN WITHIN DIMENSIONS	MATERIAL NO. SEE TABLE	DOCUMENT NO. SD-170672-0001			
			SIZE C	THIS DRAWING CONTAINS INFORMATION THAT IS PROPRIETARY TO MOLEX INCORPORATED AND SHOULD NOT BE USED WITHOUT WRITTEN PERMISSION			

CIRCUIT #1



2.64 ± 0.10

PIN-OUT VIEW



2.30

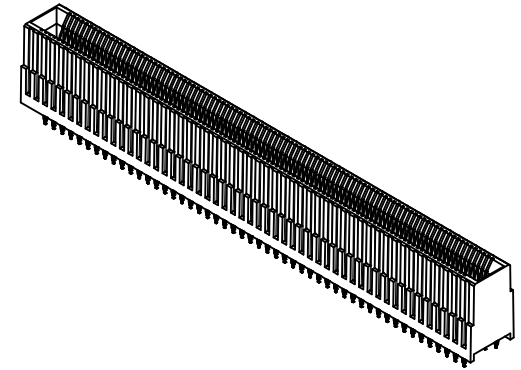
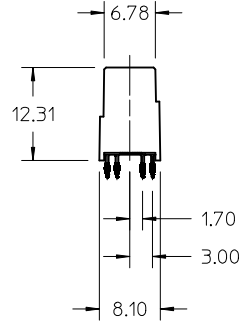
0.80 PITCH

CIRCUIT #200

CIRCUIT #101

CIRCUIT #1

CIRCUIT #100

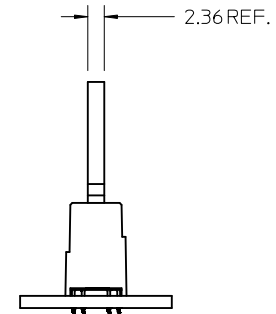
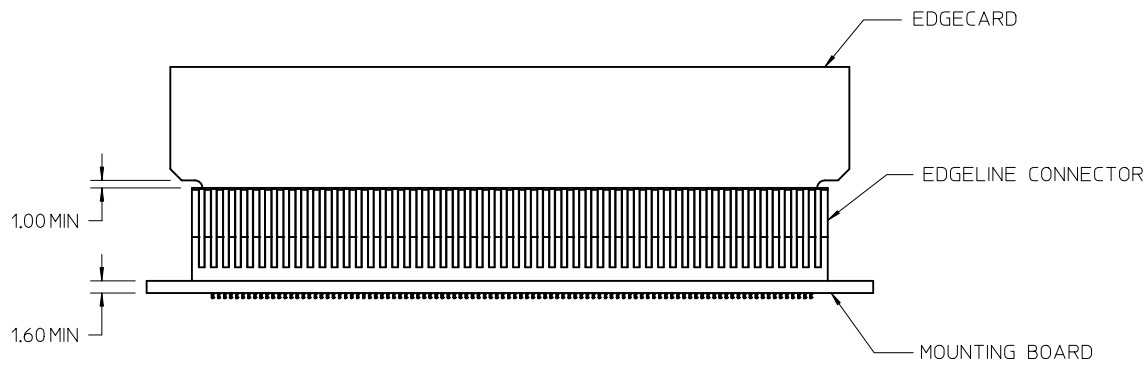


NOTES:

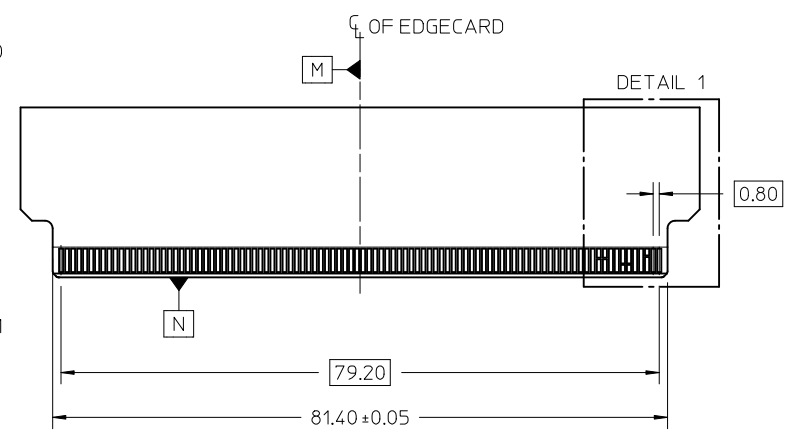
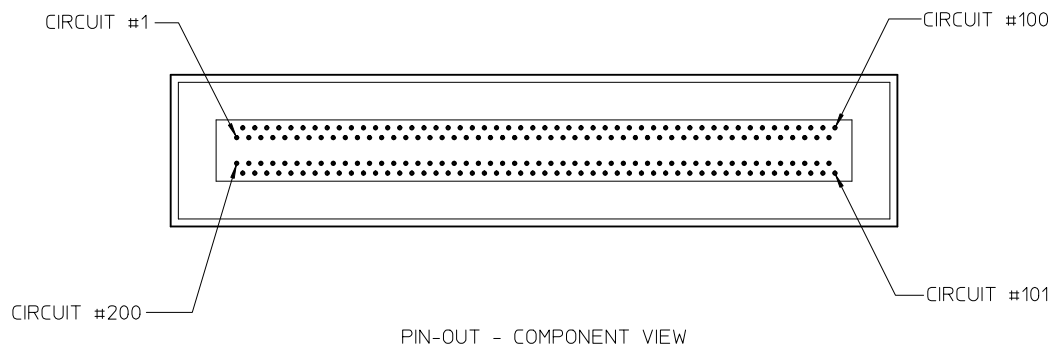
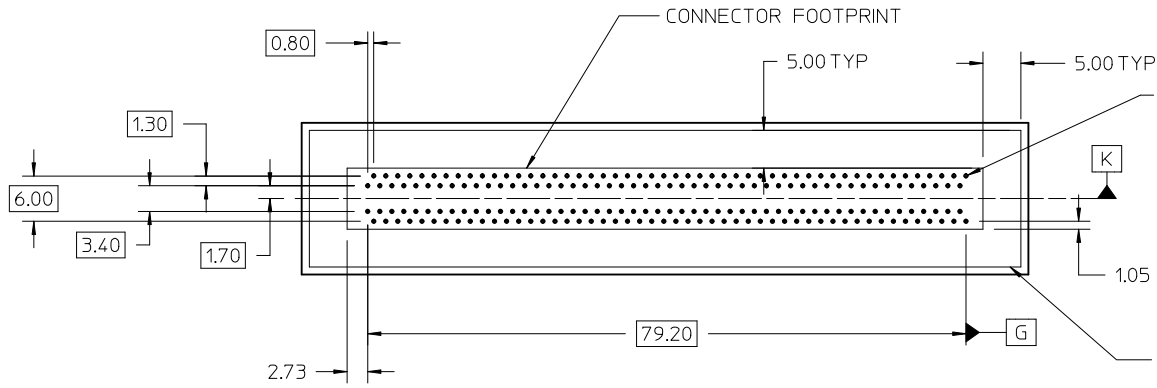
1. MATERIAL:
HOUSING - GLASS FILLED THERMOPLASTIC, 94-V0, BLACK
TERMINALS - COPPER ALLOY
2. FINISH:
CONTACT AREA: HARD GOLD -0.76µm MIN OVER 3.80µ NICKEL
COMPLIANT AREA: TIN - 0.76/1.52µm OVER NICKEL
3. REFER TO PS-75594-999 PRODUCT SPECIFICATION FOR ALL ELECTRICAL, MECHANICAL AND ENVIROMENTAL SPECIFICATIONS.
4. REFER TO PK-76693-900 FOR ALL PACKAGING SPECIFICATIONS.
5. PROCESSING: PRESSFIT TO PC BOARD.
6. MATING PC BOARD THICKNESS = 2.36±0.16MM OVER CONTACT PADS.
7. PRODUCT IS ELV AND RoHS COMPLIANT. LEVEL OF COMPLIANCE: 6/6
ALL BANNED SUBSTANCES ARE REMOVED:
Pb (LEAD)
HEXAVALENT CHROMIUM (CrVI)
CADMIUM
MERCURY
POLYBRMINATED BIPHENYL (PBB)
POLYBROMINATED DIPHENYL ETHER (PBDE)
8. THIS PART CONFORMS TO CLASS B REQUIREMENTS OF COSMETIC SPEC PS-45499-002

INITIAL RELEASE EC NO: UCP2011-2746 DRW: DROSCA 2011/03/10 CHKD: APPR: JCOMERCI 2011/03/11 REV 1	DESCRIPTION QUALITY SYMBOLS ▽ = 0 ▽ = 1 ▽ = 1	GENERAL TOLERANCES (UNLESS SPECIFIED)		DIMENSION STYLE MM ONLY		SCALE 2:1	DESIGN UNITS METRIC	THIRD ANGLE PROJECTION		
		4 PLACES ± 0.13	± 0.13	DRAWN BY DROSCA	DATE 2011/03/10	TITLE EDGELINE 12.5GB 0.093" PCB, 0.8MM PITCH 200 CIRCUITS				
		3 PLACES ± 0.25	± 0.25	CHECKED BY	DATE					
		2 PLACES ± 0.25	± 0.25	APPROVED BY JCOMERCI		DATE 2011/03/11	MOLEX INCORPORATED DOCUMENT NO. SD-170672-1200		SHEET NO. 1 OF 4	
DRAFT WHERE APPLICABLE MUST REMAIN WITHIN DIMENSIONS		MATERIAL NO. 1706721200		SIZE C		THIS DRAWING CONTAINS INFORMATION THAT IS PROPRIETARY TO MOLEX INCORPORATED AND SHOULD NOT BE USED WITHOUT WRITTEN PERMISSION				

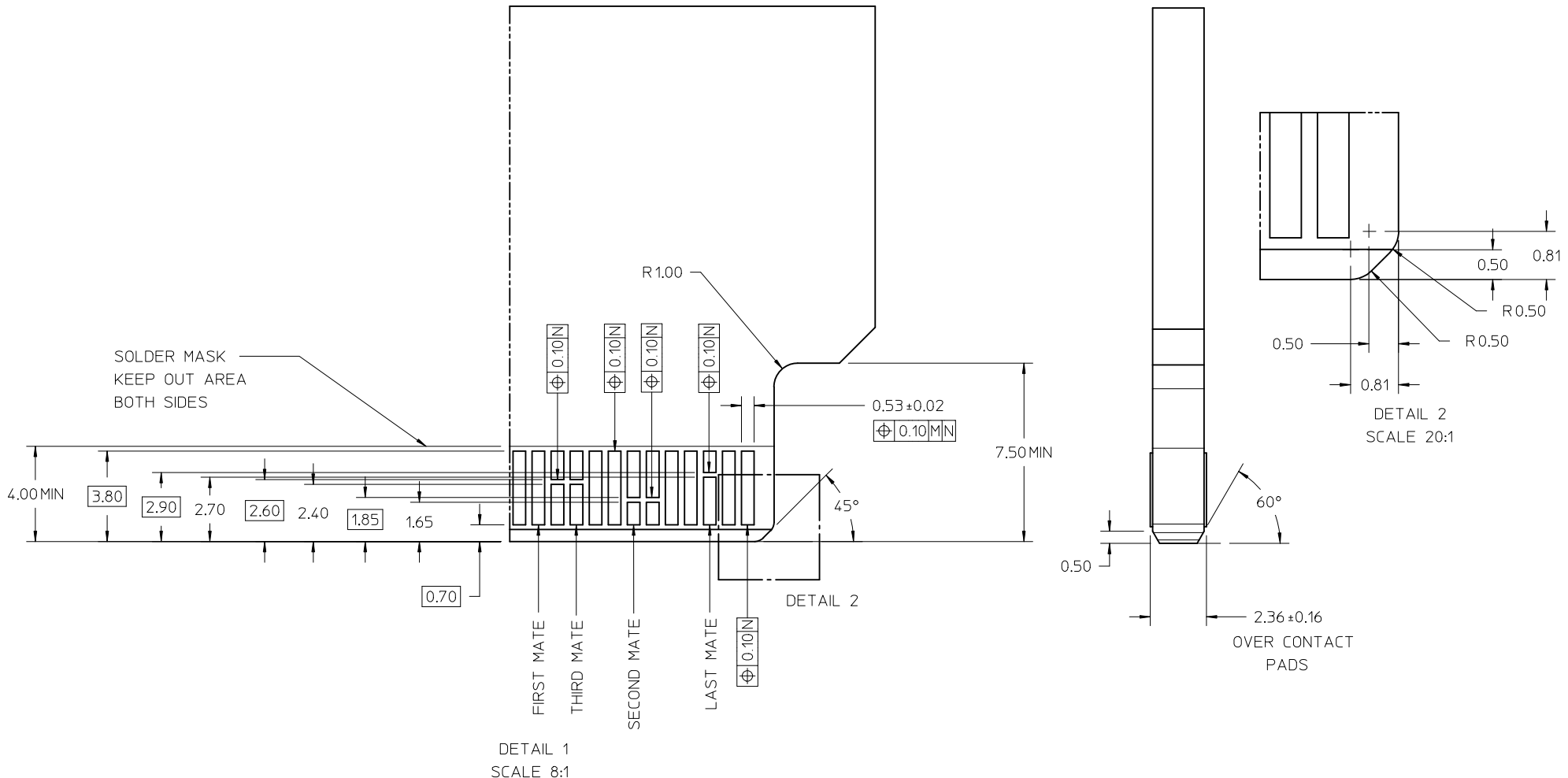
EDGE LINE CONNECTOR BOARD MOUNTING



SEE SHEET 1 EC NO: UCP2011-2746 2011/03/10 DRW: DROSCA CHKD: APPR: JCOMERCI 2011/03/11	DESCRIPTION 1	QUALITY SYMBOLS ▽=0 ▽=0	GENERAL TOLERANCES (UNLESS SPECIFIED)		DIMENSION STYLE MM ONLY	SCALE 2:1	DESIGN UNITS METRIC	THIRD ANGLE PROJECTION																	
				<table border="1" style="width: 100%; border-collapse: collapse;"> <thead> <tr> <th></th> <th>mm</th> <th>INCH</th> </tr> </thead> <tbody> <tr> <td>4 PLACES</td> <td>± .005</td> <td>± .0005</td> </tr> <tr> <td>3 PLACES</td> <td>± .005</td> <td>± .0005</td> </tr> <tr> <td>2 PLACES</td> <td>± 0.13</td> <td>± .005</td> </tr> <tr> <td>1 PLACE</td> <td>± 0.25</td> <td>± .010</td> </tr> </tbody> </table>		mm	INCH	4 PLACES	± .005	± .0005	3 PLACES	± .005	± .0005	2 PLACES	± 0.13	± .005	1 PLACE	± 0.25	± .010	DRAWN BY DROSCA	DATE 2011/03/10	TITLE EDGE LINE 12.5GB 0.093" PCB, 0.8MM PITCH 200 CIRCUITS			
			mm	INCH																					
		4 PLACES	± .005	± .0005																					
3 PLACES	± .005	± .0005																							
2 PLACES	± 0.13	± .005																							
1 PLACE	± 0.25	± .010																							
		APPROVED BY JCOMERCI	DATE 2011/03/11	MOLEX INCORPORATED																					
		ANGULAR ± 1/2°		MATERIAL NO. SEE SHEET 1		DOCUMENT NO. SD-170672-1200		SHEET NO. 2 OF 4																	
DRAFT WHERE APPLICABLE MUST REMAIN WITHIN DIMENSIONS			THIS DRAWING CONTAINS INFORMATION THAT IS PROPRIETARY TO MOLEX INCORPORATED AND SHOULD NOT BE USED WITHOUT WRITTEN PERMISSION																						



SEE SHEET 1 EC NO: UCP2011-2746 DRWN: DROSCA 2011/03/10 CHKD: APPR: JCOMERCI 2011/03/11 REV 1	QUALITY SYMBOLS	GENERAL TOLERANCES (UNLESS SPECIFIED)	DIMENSION STYLE	SCALE	DESIGN UNITS	THIRD ANGLE PROJECTION
	▽=0	mm INCH	MM ONLY	2:1	METRIC	
	▽=0	4 PLACES ± --- ± ---	DRAWN BY DATE	TITLE		
	▽=0	3 PLACES ± --- ± ---	DROSCA 2011/03/10	EDGELINE 12.5GB		
	2 PLACES ± 0.13 ± ---	CHECKED BY DATE	0.093" PCB, 0.8MM PITCH			
	1 PLACE ± 0.25 ± ---	APPROVED BY DATE	200 CIRCUITS			
	ANGULAR ± 1/2°	JCOMERCI 2011/03/11	MOLEX INCORPORATED			
	DRAFT WHERE APPLICABLE MUST REMAIN WITHIN DIMENSIONS	MATERIAL NO.	DOCUMENT NO.		SHEET NO.	
		SEE SHEET 1	SD-170672-1200		3 OF 4	
		THIS DRAWING CONTAINS INFORMATION THAT IS PROPRIETARY TO MOLEX INCORPORATED AND SHOULD NOT BE USED WITHOUT WRITTEN PERMISSION				



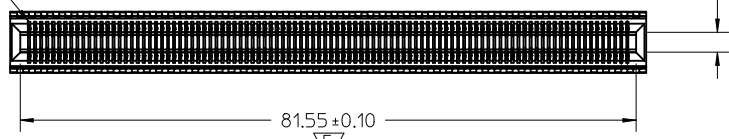
NOTE:
 THESE ARE GENERIC DETAILS THAT DESCRIBES THE CONFIGURATION OF VARIOUS PCB DESIGN ELEMENTS. THE CUSTOMER MUST DETERMINE WHERE AND WHEN TO USE EACH ELEMENT TO ACCOMMODATE THEIR SPECIFIC APPLICATION.

SEE SHEET 1 EC NO: UCP2011-2746 DRWN: DROSCA 2011/03/10 CHKD: APPR: JCOMERCI 2011/03/11	QUALITY SYMBOLS ▽=0 ▽=0	GENERAL TOLERANCES (UNLESS SPECIFIED)		DIMENSION STYLE MM ONLY	SCALE 8:1	DESIGN UNITS METRIC	THIRD ANGLE PROJECTION																							
		<table border="1"> <thead> <tr> <th></th> <th>mm</th> <th>INCH</th> </tr> </thead> <tbody> <tr> <td>4 PLACES</td> <td>± ---</td> <td>± ---</td> </tr> <tr> <td>3 PLACES</td> <td>± ---</td> <td>± ---</td> </tr> <tr> <td>2 PLACES</td> <td>± 0.13</td> <td>± ---</td> </tr> <tr> <td>1 PLACE</td> <td>± 0.25</td> <td>± ---</td> </tr> </tbody> </table>		mm	INCH	4 PLACES	± ---	± ---	3 PLACES	± ---	± ---	2 PLACES	± 0.13	± ---	1 PLACE	± 0.25	± ---	<table border="1"> <thead> <tr> <th>DRAWN BY</th> <th>DATE</th> </tr> </thead> <tbody> <tr> <td>DROSCA</td> <td>2011/03/10</td> </tr> <tr> <th>CHECKED BY</th> <th>DATE</th> </tr> <tr> <td></td> <td></td> </tr> </tbody> </table>	DRAWN BY	DATE	DROSCA	2011/03/10	CHECKED BY	DATE			TITLE EDGE LINE 12.5GB 0.093" PCB, 0.8MM PITCH 200 CIRCUITS			
		mm	INCH																											
	4 PLACES	± ---	± ---																											
3 PLACES	± ---	± ---																												
2 PLACES	± 0.13	± ---																												
1 PLACE	± 0.25	± ---																												
DRAWN BY	DATE																													
DROSCA	2011/03/10																													
CHECKED BY	DATE																													
		<table border="1"> <thead> <tr> <th>APPROVED BY</th> <th>DATE</th> </tr> </thead> <tbody> <tr> <td>JCOMERCI</td> <td>2011/03/11</td> </tr> </tbody> </table>	APPROVED BY	DATE	JCOMERCI	2011/03/11	MATERIAL NO. SEE SHEET 1	DOCUMENT NO. SD-170672-1200	SHEET NO. 4 OF 4																					
APPROVED BY	DATE																													
JCOMERCI	2011/03/11																													

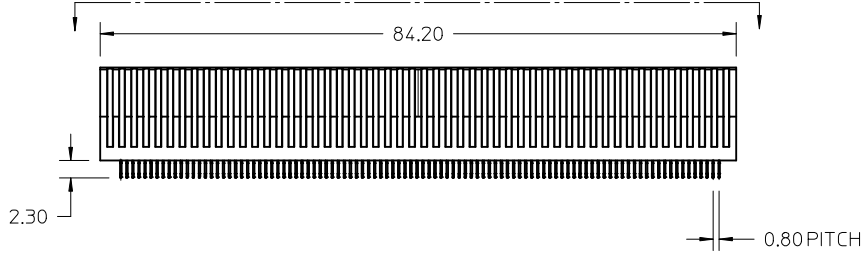
DRAFT WHERE APPLICABLE MUST REMAIN WITHIN DIMENSIONS

THIS DRAWING CONTAINS INFORMATION THAT IS PROPRIETARY TO MOLEX INCORPORATED AND SHOULD NOT BE USED WITHOUT WRITTEN PERMISSION

CIRCUIT #1



PIN-OUT VIEW

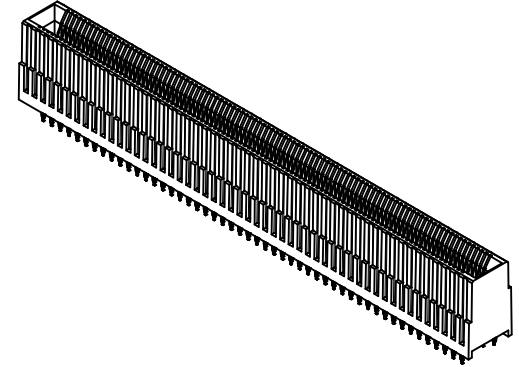
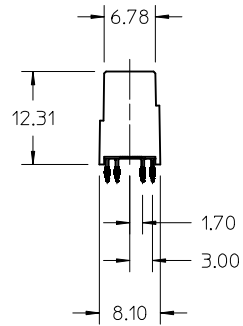


CIRCUIT #200

CIRCUIT #101

CIRCUIT #1

CIRCUIT #100

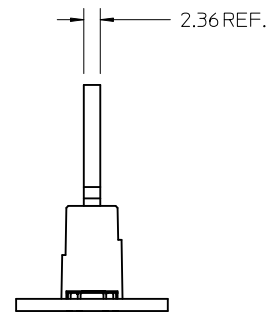
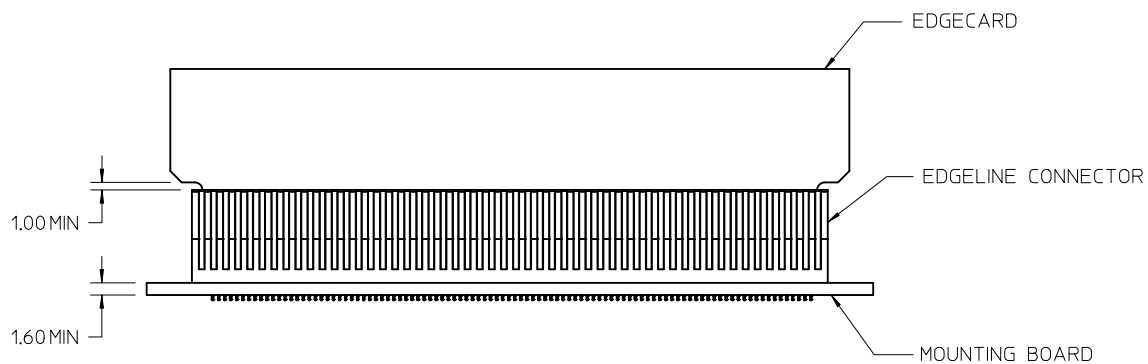


NOTES:

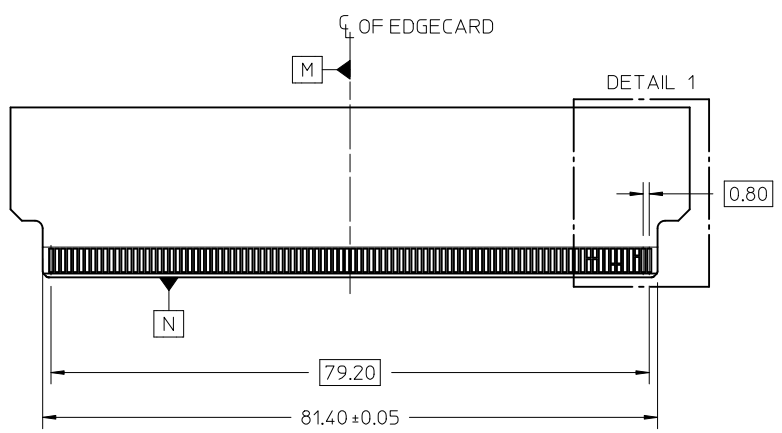
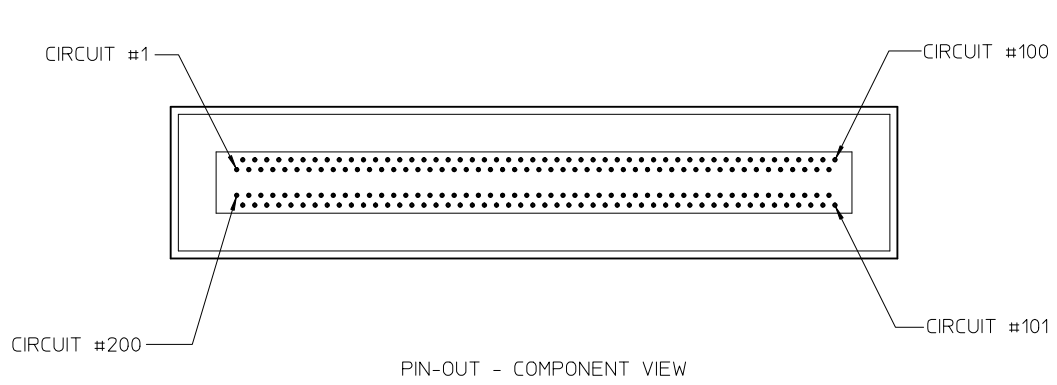
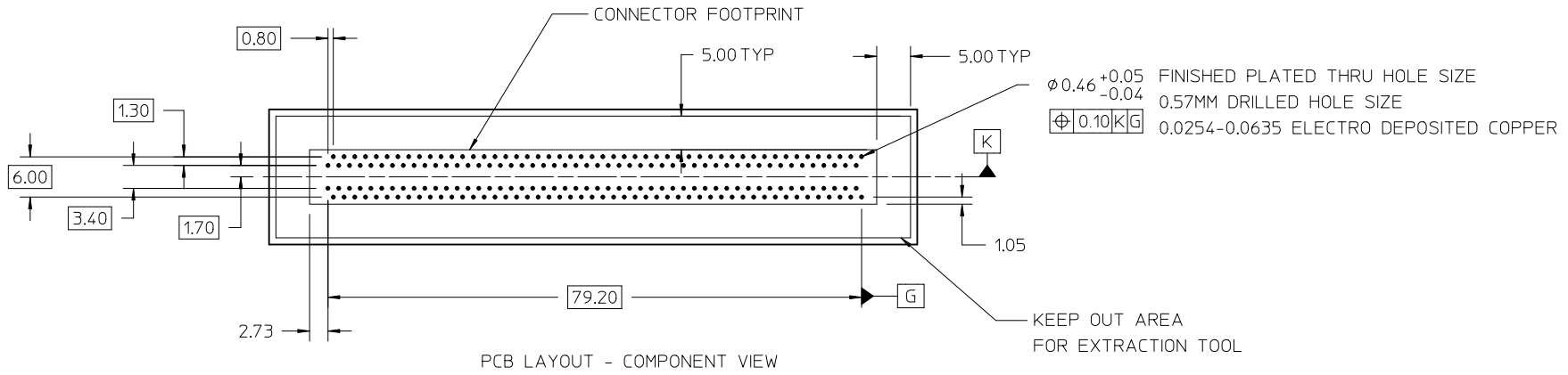
1. MATERIAL:
HOUSING - GLASS FILLED THERMOPLASTIC, 94-V0, BLACK
TERMINALS - COPPER ALLOY
2. FINISH:
CONTACT AREA: HARD GOLD -0.76µm MIN OVER 3.80µ NICKEL
COMPLIANT AREA: TIN - 0.76/1.52µm OVER NICKEL
3. REFER TO PS-75594-999 PRODUCT SPECIFICATION FOR ALL ELECTRICAL, MECHANICAL AND ENVIROMENTAL SPECIFICATIONS.
4. REFER TO PK-76693-900 FOR ALL PACKAGING SPECIFICATIONS.
5. PROCESSING: PRESSFIT TO PC BOARD.
6. MATING PC BOARD THICKNESS = 2.36±0.16MM OVER CONTACT PADS.
7. PRODUCT IS ELV AND RoHS COMPLIANT. LEVEL OF COMPLIANCE: 6/6
ALL BANNED SUBSTANCES ARE REMOVED:
Pb (LEAD)
HEXAVALENT CHROMIUM (CrVI)
CADMIUM
MERCURY
POLYBRMINATED BIPHENYL (PBB)
POLYBROMINATED DIPHENYL ETHER (PBDE)
8. THIS PART CONFORMS TO CLASS B REQUIREMENTS OF COSMETIC SPEC PS-45499-002

REV A RELEASE EC NO: UCP2011-2702 DRW: DROSCA 2011/03/23 CHKD: JCOMERCI 2011/03/28 APPR: JCOMERCI 2011/03/28	QUALITY SYMBOLS	GENERAL TOLERANCES (UNLESS SPECIFIED)		DIMENSION STYLE	SCALE	DESIGN UNITS	THIRD ANGLE PROJECTION
	= 0 = 1 = 1	mm	INCH	MM ONLY	2:1	METRIC	EDGELINE 12.5GB 200CKTS 0.093" PCB 0.8MM PITCH
		4 PLACES ± ---	± ---	DRAWN BY	DATE	TITLE	
		3 PLACES ± ---	± ---	DROSCA	2011/03/23		
		2 PLACES ± 0.15	± ---	CHECKED BY	DATE		
		1 PLACE ± 0.25	± ---	JCOMERCI	2011/03/28		
		ANGULAR ± 1/2°		APPROVED BY	DATE		
		DRAFT WHERE APPLICABLE MUST REMAIN WITHIN DIMENSIONS		JCOMERCI	2011/03/28		
				MATERIAL NO.	DOCUMENT NO.		
				766931200	SD-76693-1200		
				SIZE	THIS DRAWING CONTAINS INFORMATION THAT IS PROPRIETARY TO MOLEX INCORPORATED AND SHOULD NOT BE USED WITHOUT WRITTEN PERMISSION		
				C			

EDGELINE CONNECTOR BOARD MOUNTING

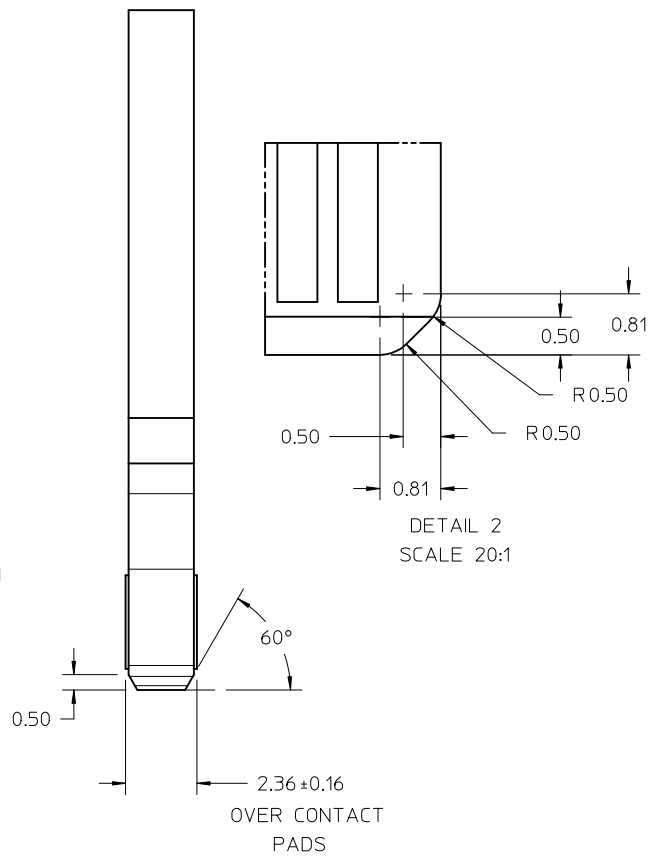
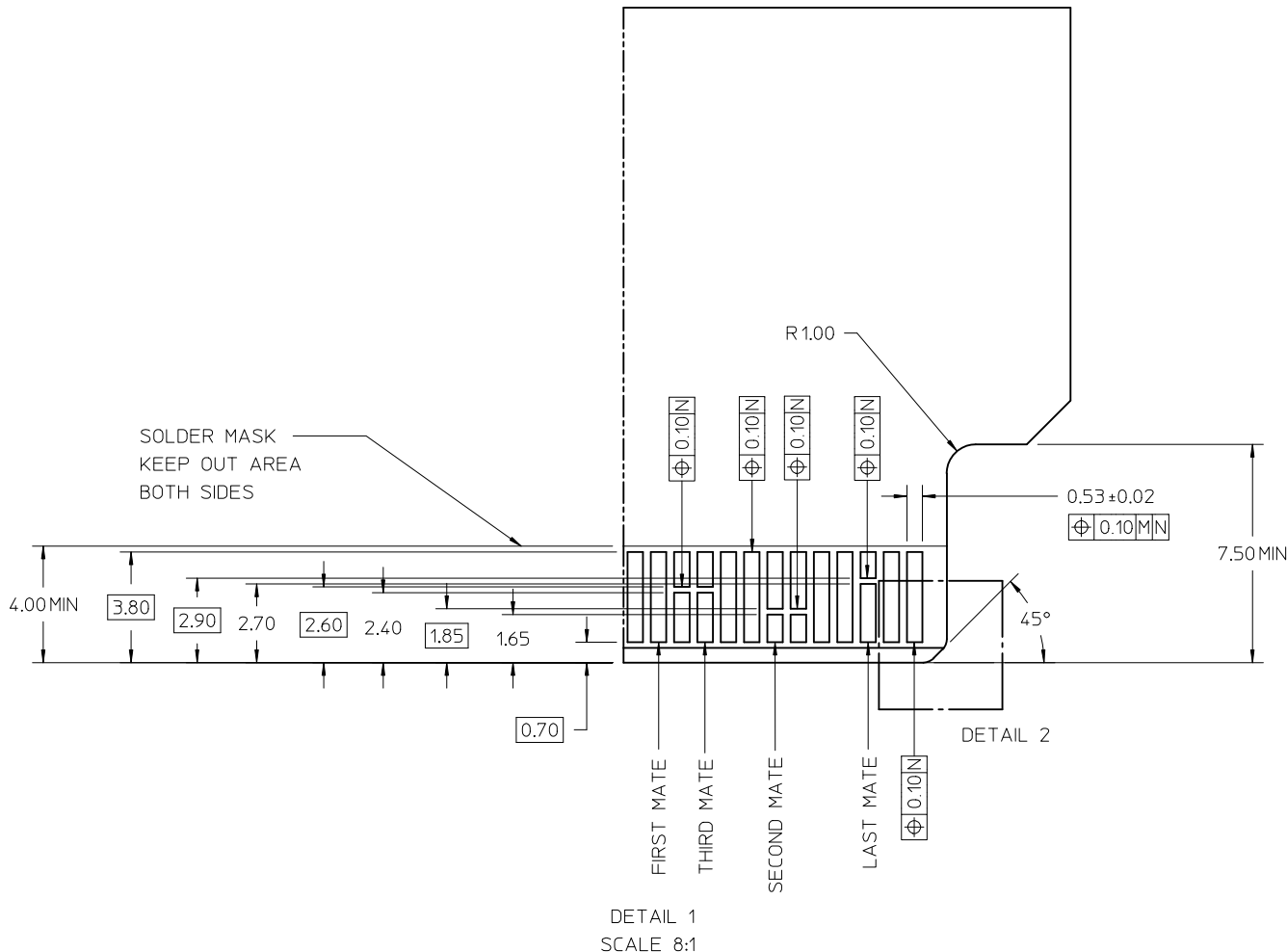


SEE SHEET 1 EC NO: UCP2011-z702 DRW: DROSCA 2011/03/23 CHKD: JCOMERC I 2011/03/28 APPR: JCOMERC I 2011/03/28	REV A	DESCRIPTION EDGELINE CONNECTOR BOARD MOUNTING	QUALITY SYMBOLS ▽=0 ▽=0	GENERAL TOLERANCES (UNLESS SPECIFIED)		DIMENSION STYLE MM ONLY		SCALE 2:1	DESIGN UNITS METRIC	THIRD ANGLE PROJECTION			
								DRAWN BY DROSCA	DATE 2011/03/23	TITLE EDGELINE 12.5GB 200CKTS 0.093" PCB 0.8MM PITCH			
				4 PLACES ± --- ± ---	3 PLACES ± --- ± ---	2 PLACES ± 0.15 ± ---	1 PLACE ± 0.25 ± ---	CHECKED BY JCOMERC I	DATE 2011/03/28				
				ANGULAR ± 1/2°				DRAFT WHERE APPLICABLE MUST REMAIN WITHIN DIMENSIONS		APPROVED BY JCOMERC I		DATE 2011/03/28	
								DOCUMENT NO. SD-76693-1200		SHEET NO. 2 OF 4			



SEE SHEET 1 EC NO: UCP2011-2702 DRWN: DROSCA 2011/03/23 CHKD: JCOMERCI 2011/03/28 APPR: JCOMERCI 2011/03/28	QUALITY SYMBOLS ▽=0 ▽=0 ▽=0	GENERAL TOLERANCES (UNLESS SPECIFIED)		DIMENSION STYLE MM ONLY		SCALE 2:1	DESIGN UNITS METRIC	THIRD ANGLE PROJECTION			
		4 PLACES ± --- ± ---	3 PLACES ± --- ± ---	2 PLACES ± 0.15 ± ---	1 PLACE ± 0.25 ± ---	DRAWN BY DROSCA	DATE 2011/03/23	TITLE EDGELINE 12.5GB 200CKTS 0.093" PCB 0.8MM PITCH			
		ANGULAR ± 1/2°				CHECKED BY JCOMERCI	DATE 2011/03/28	APPROVED BY JCOMERCI			
		DRAFT WHERE APPLICABLE MUST REMAIN WITHIN DIMENSIONS				MATERIAL NO. SEE SHEET 1	DATE 2011/03/28	MOLEX INCORPORATED		DOCUMENT NO. SD-76693-1200	SHEET NO. 3 OF 4

THIS DRAWING CONTAINS INFORMATION THAT IS PROPRIETARY TO MOLEX INCORPORATED AND SHOULD NOT BE USED WITHOUT WRITTEN PERMISSION



NOTE:
 THESE ARE GENERIC DETAILS THAT DESCRIBES THE CONFIGURATION OF VARIOUS PCB DESIGN ELEMENTS. THE CUSTOMER MUST DETERMINE WHERE AND WHEN TO USE EACH ELEMENT TO ACCOMODATE THEIR SPECIFIC APPLICATION.

SEE SHEET 1 EC NO: UCP2011-2702 DRWN: DROSCA 2011/03/23 CHKD: JCOMERCI 2011/03/28 APPR: JCOMERCI 2011/03/28	QUALITY SYMBOLS ▽=0 ▽=0	GENERAL TOLERANCES (UNLESS SPECIFIED)		DIMENSION STYLE MM ONLY	SCALE 8:1	DESIGN UNITS METRIC	THIRD ANGLE PROJECTION	
		4 PLACES ± --- ± ---	mm INCH	DRAWN BY DATE DROSCA 2011/03/23	TITLE EDGE LINE 12.5GB 200CKTS 0.093" PCB 0.8MM PITCH			
		3 PLACES ± --- ± ---		CHECKED BY DATE JCOMERCI 2011/03/28				
		2 PLACES ± 0.15 ± --- 1 PLACE ± 0.25 ± --- ANGULAR ± 1/2°		APPROVED BY DATE JCOMERCI 2011/03/28				
DRAFT WHERE APPLICABLE MUST REMAIN WITHIN DIMENSIONS	SIZE C	SEE SHEET 1		MATERIAL NO. SD-76693-1200	DOCUMENT NO.	SHEET NO. 4 OF 4		
THIS DRAWING CONTAINS INFORMATION THAT IS PROPRIETARY TO MOLEX INCORPORATED AND SHOULD NOT BE USED WITHOUT WRITTEN PERMISSION								