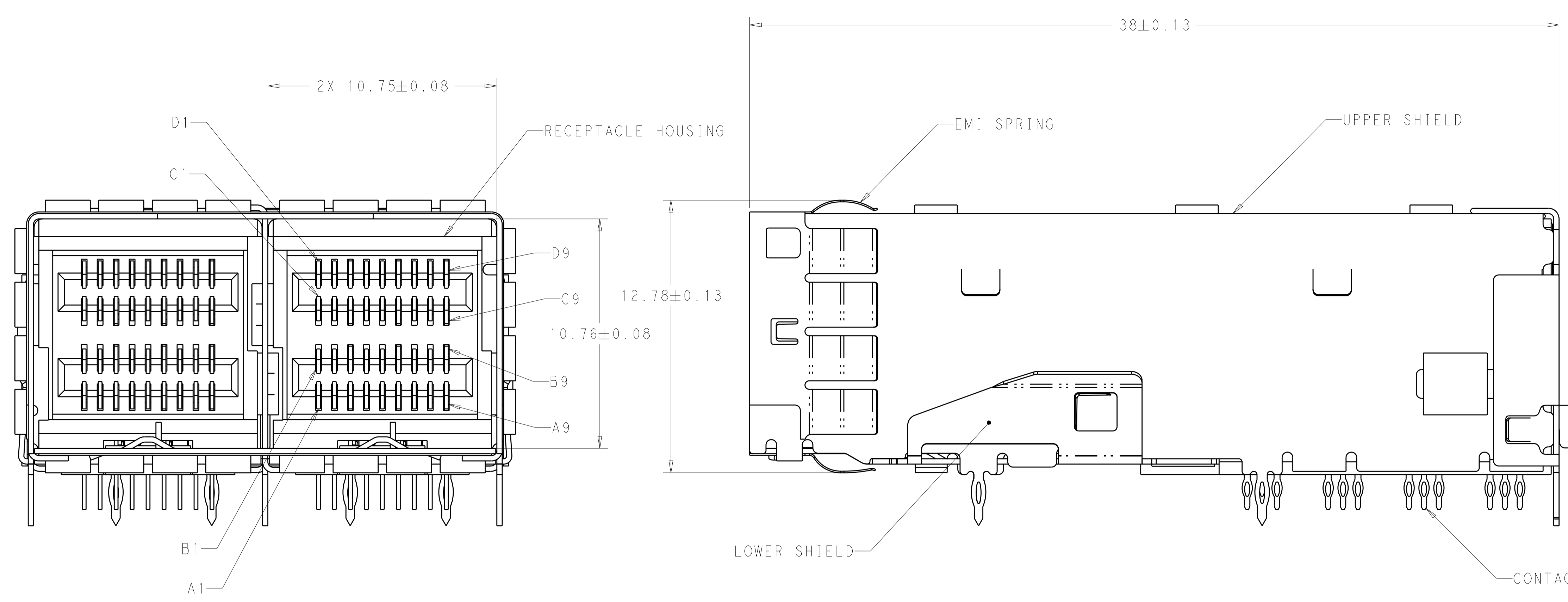
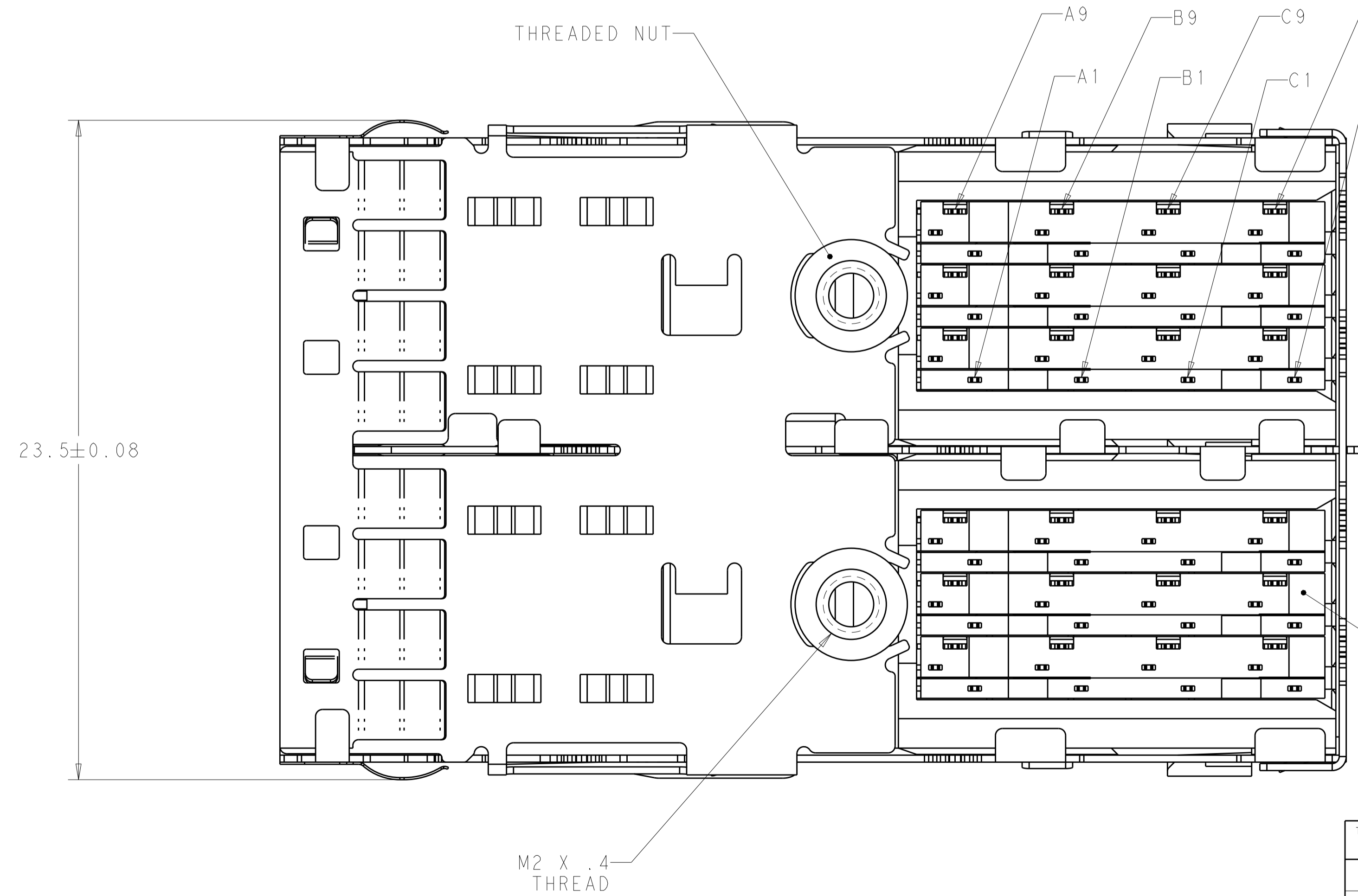


LOC	DIST	REVISIONS					
		P	LTN	DESCRIPTION	DATE	DWN	APVD
AG	00	7		REMOVED PRELIMINARY, ADDED NOTE 5	05JAN2012	PK	JS
		8		PCI APPLICATION DIMENSION ADDED	09JAN2012	JS	JS
		9		PCB KEEPOUT UPDATE	13MAR2012	JS	JS
		10		REVISED	21DEC2012	MEC	JS



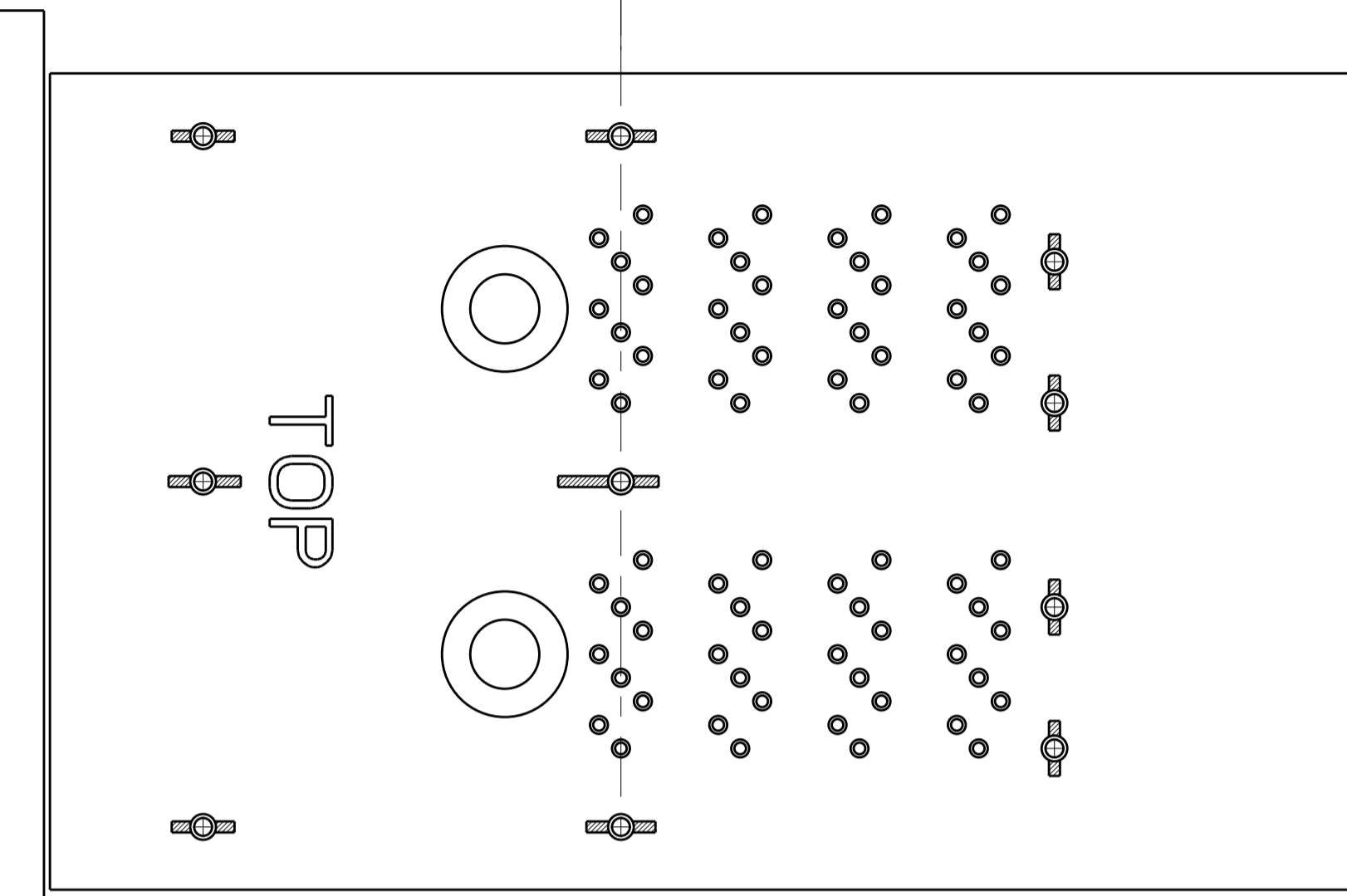
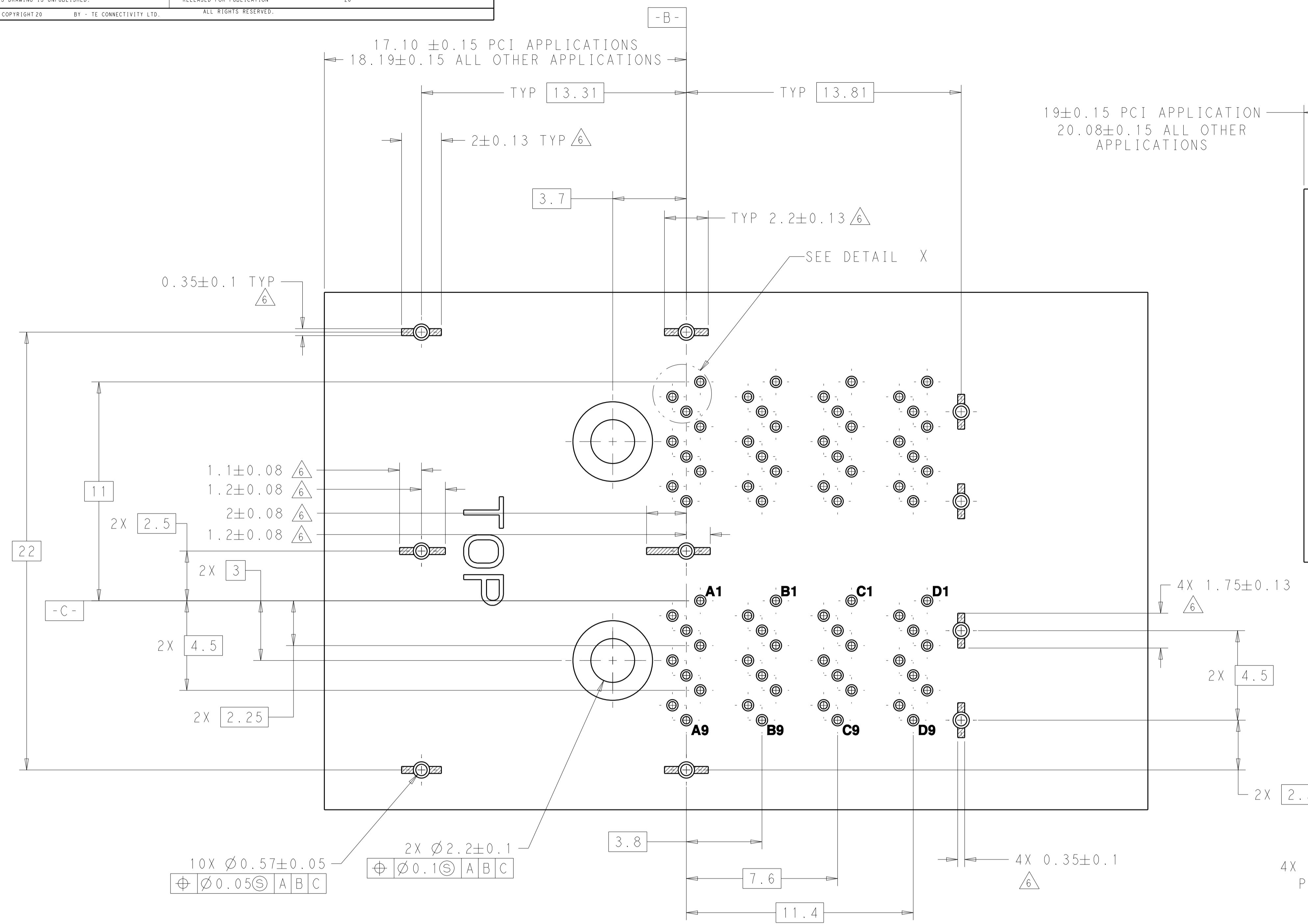
1. MATERIALS
 RECEPTACLE HOUSING, LCP, BLACK, UL94V-0 RATED
 SHIELD ASSY: NICKEL SILVER COPPER ALLOY
 CONTACTS: COPPER ALLOY
 EMI SPRING: COPPER ALLOY
 THREADED NUT: BRASS
 CHICKLETS: LCP, BLACK, UL 94V-0 RATED
 2. FINISH
 EMI SPRING: TIN PLATE OVER NICKEL PLATE
 NON-PLATED EDGES PERMISSABLE
 THREADED NUT: NICKEL PLATE
- △ CONTACT FINISH: CONFORMS TO THE REQUIREMENTS OF TE PRODUCT SPECIFICATION, 108-2462. BASED ON EIA/ECA-364-1000.01A. (CONTROLLED ENVIRONMENT APPLICATIONS) ON MATING END. TIN PLATED ON PCB TAIL
4. THREAD LENGTH OF FASTENER = PCB THICKNESS + 1.45 MAX
 5. THIS PRODUCT HAS NOT COMPLETED VALIDATION/QUALIFICATION TESTING
- △ RECOMMENDED TRACE KEEP OUT ZONE



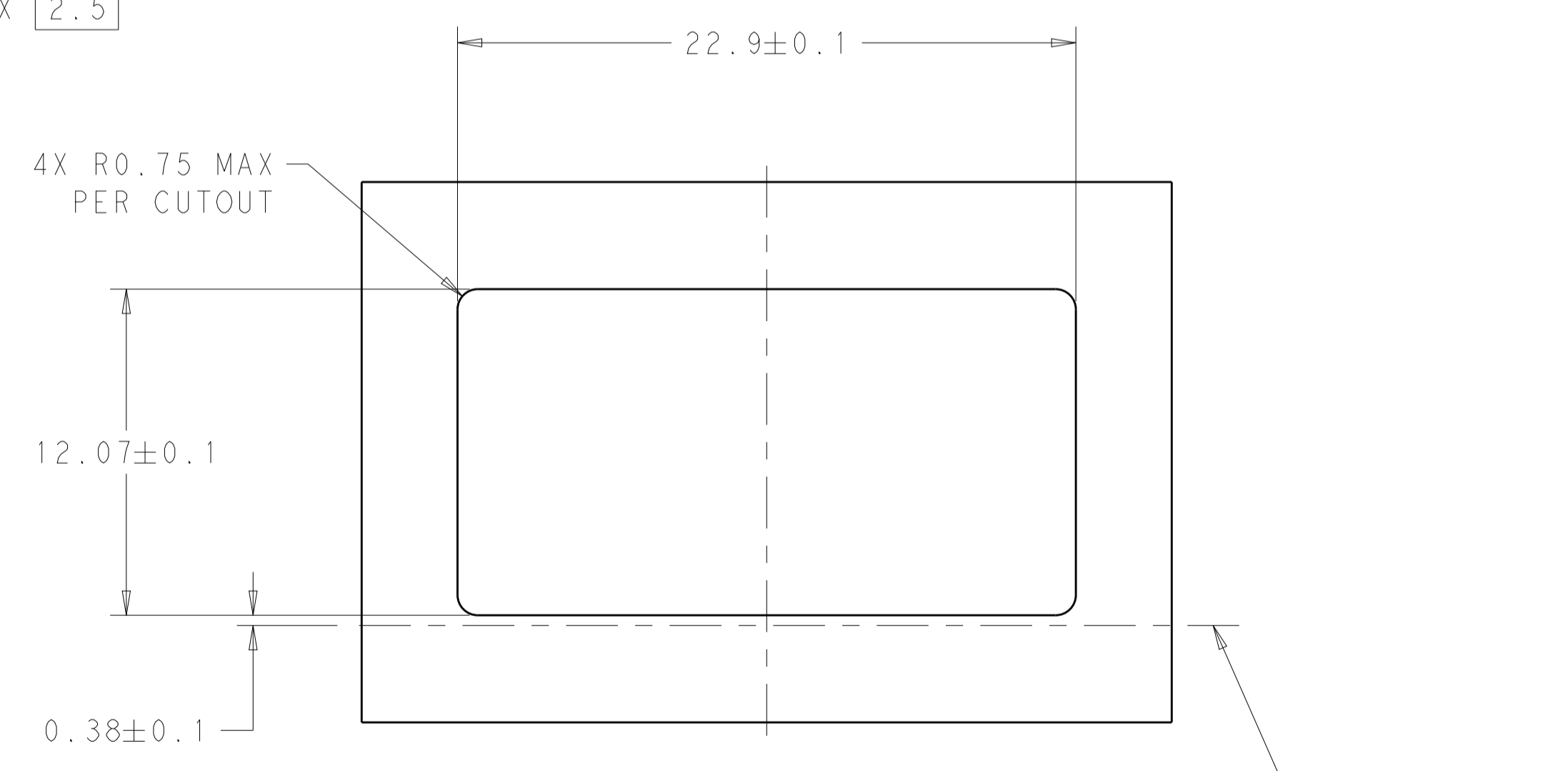
2149966-1
 PART NUMBER

THIS DRAWING IS A CONTROLLED DOCUMENT.		DWN P. KERLIN	20SEP2010	TE Connectivity RECEPTACLE ASSEMBLY, MINI-SAS HD, 2X
DIMENSIONS:		CHK J. SECHRIST	20SEP2010	
mm	0 PLC ±	APVD		NAME
	1 PLC ±	PRODUCT SPEC		108-2462
	2 PLC ±	APPLICATION SPEC		114-13316
	3 PLC ±	WEIGHT		A100779C=2149966
	4 PLC ±	MATERIAL		CUSTOMER DRAWING
	ANGLES ±	FINISH		SCALE 8:1 SHEET 1 OF 2 REV 10

LOC	DIST	REVISIONS			
P	LTN	DESCRIPTION	DATE	OWN	APVD
-	-	SEE SHEET 1	-	-	-



PANEL/PCB ASSEMBLY
SCALE=5:1



RECOMMENDED I/O PANEL CUTOUT
SCALE=5:1

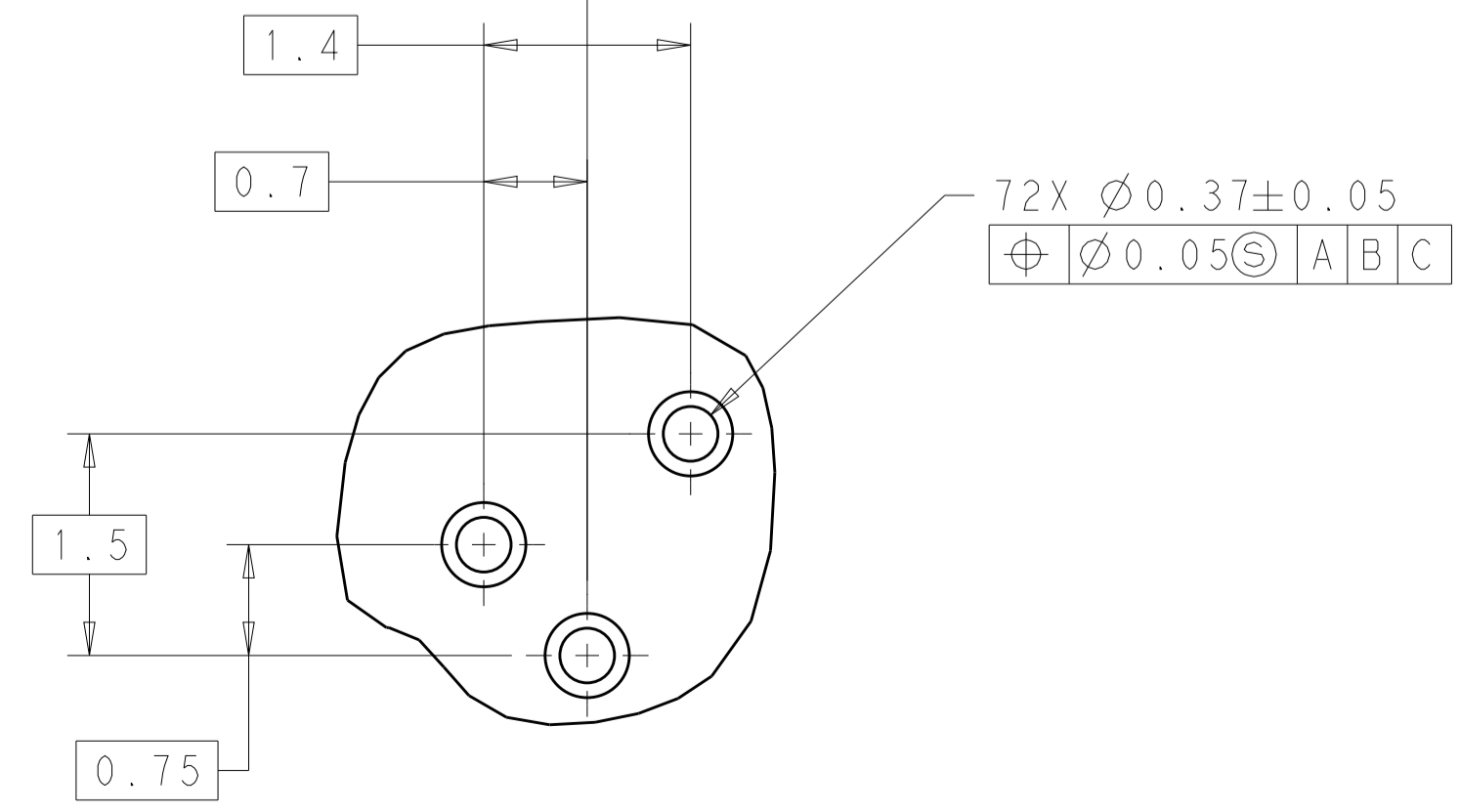
10X Ø 0.57 ± 0.05
Ø 0.05 A B C

2X Ø 2.2 ± 0.1
Ø 0.1 A B C

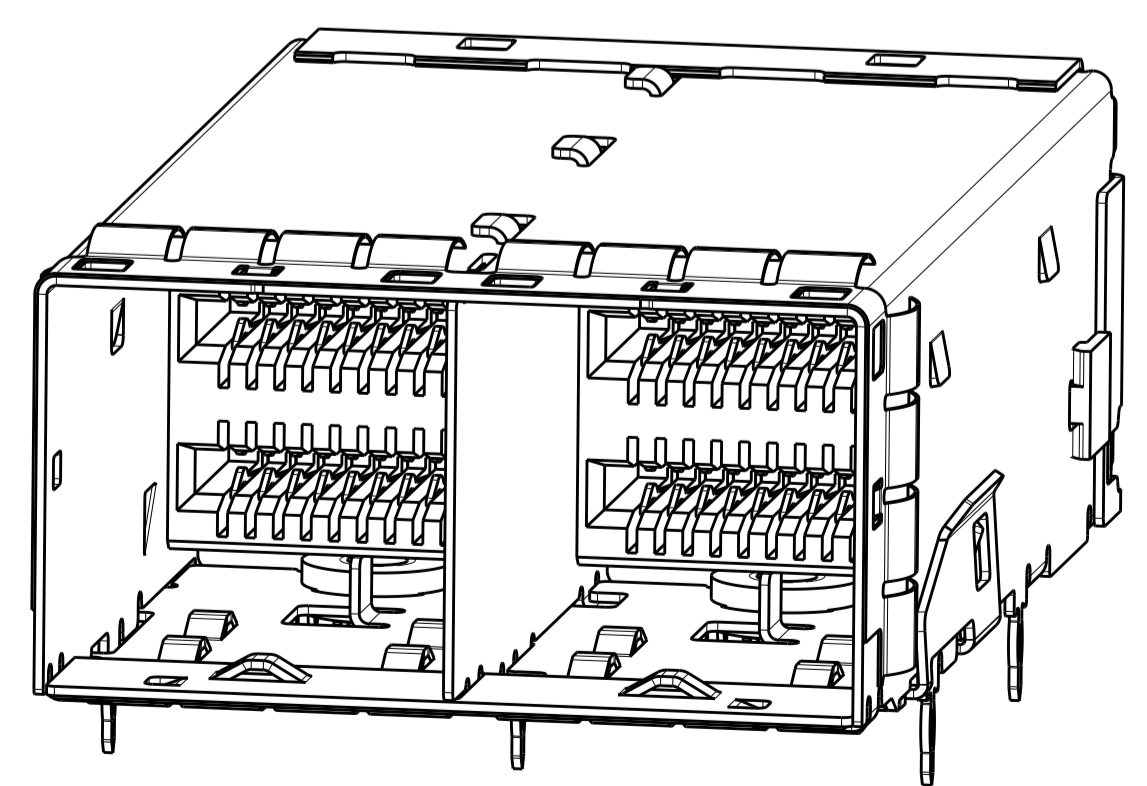
RECOMMENDED PCB LAYOUT

-A-

-B-



DETAIL X
SCALE 20:1



THIS DRAWING IS A CONTROLLED DOCUMENT.		OWN P. KERLIN 20SEP2010	TE Connectivity	
DIMENSIONS:		CHK J. SECHRIST	NAME	
TOLERANCES UNLESS OTHERWISE SPECIFIED:		APVD	PRODUCT SPEC	
mm			108-2462	
0 PLC ±			APPLICATION SPEC	
1 PLC ±			114-13316	
2 PLC ±			WEIGHT	
3 PLC ±			CUSTOMER DRAWING	
4 PLC ±			SCALE 8:1 SHEET 2 OF 2 REV 10	
ANGLES ±			SIZE CAGE CODE DRAWING NO	
FINISH			A100779C=2149966	