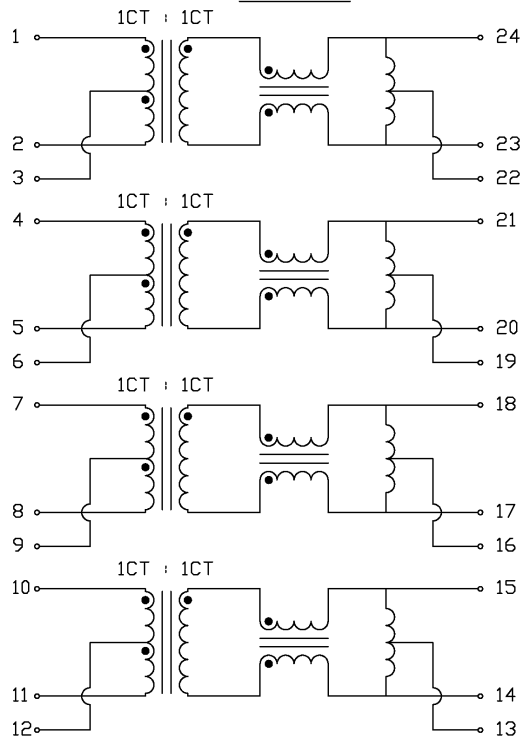


THE INFORMATION CONTAINED HEREIN IS CONSIDERED "PROPRIETARY" TO BEL FUSE INC. AND SHALL NOT BE COPIED, REPRODUCED OR DISCLOSED WITHOUT THE WRITTEN APPROVAL OF BEL FUSE INC.



SCHEMATIC



ELECTRICAL SPECEIFICATIONS @25°C

URNS RATIO	1CT : 1CT
PHASE	1 TO 24, 4 TO 21, 7 TO 18, 10 TO 15 IN PHASE
OCL :	350uH MIN. AT 100kHz, 100mV (1-2), (4-5), (7-8), (10-11) WITH 8mA DC BIAS, FROM 0 -70°C
INSERTION LOSS	1.0 dB MAX. @ 1 TO 100MHZ 1.5 dB MAX. @ 125MHZ
RETURN LOSS	18dB MIN. @ 1-30MHz MEASURED UNDER A 100 Ω I/O 15dB MIN. @ 60MHZ 12dB MIN. @ 80MHZ 10dB MIN. @ 100MHZ
CROSSTALK	10-100 MHz 35 dB MIN.
COMMON TO COMMON REJECTION	30 dB MIN. AT 100kHz TO 155MHZ
HIPOT	PER HAND-WORK-03

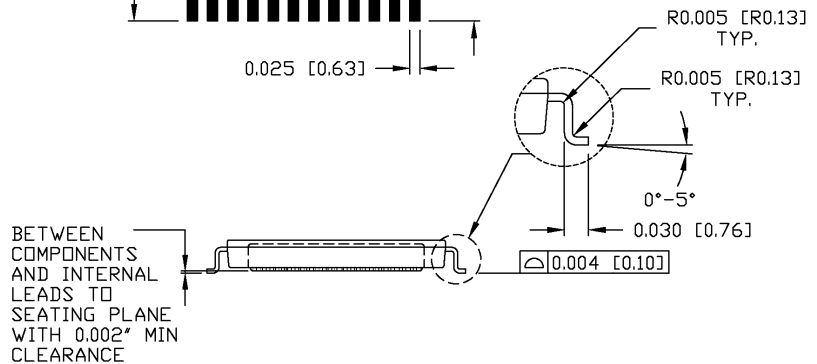
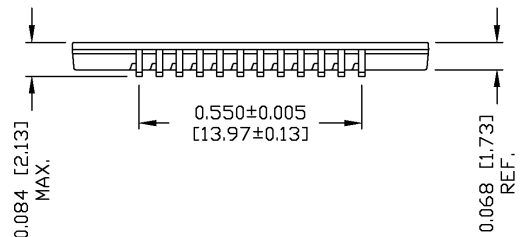
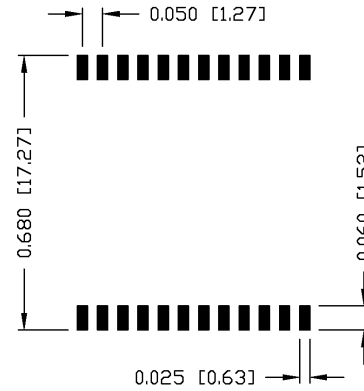
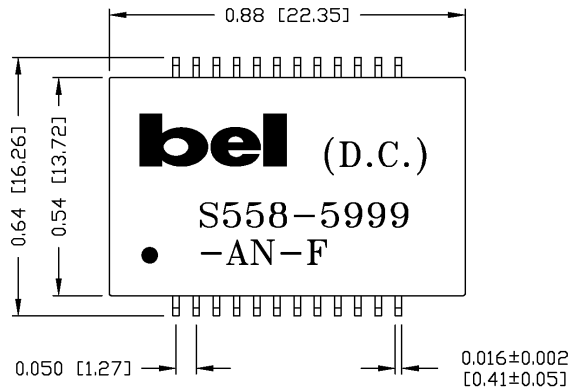
ORIGINATED BY	DATE	TITLE	PART NO. / DRAWING NO.	STANDARD DIM.	[] METRIC DIM. AS REFERENCE
HO	12-12-05	ELECTRICAL SPECIFICATION S558-5999-AN-F	X5585999AN-F	TOL. IN INCH	UNIT : INCH [mm] REV. : A
DRAWN BY	DATE		FILE NAME	.X	SCALE : N/A
DQ Chen	12-12-05		X5585999ANFA.DWG	.XX	PAGE : 2
				.XXX	



THE INFORMATION CONTAINED HEREIN IS CONSIDERED "PROPRIETARY" TO BEL FUSE INC. AND SHALL NOT BE COPIED, REPRODUCED OR DISCLOSED WITHOUT THE WRITTEN APPROVAL OF BEL FUSE INC.



SUGGESTED PCB PAD LAYOUT



BETWEEN COMPONENTS AND INTERNAL LEADS TO SEATING PLANE WITH 0.002" MIN CLEARANCE

NOTES:

- STANDARD MARKING REFER TO DOC. HAND-WORK-04.
- PACKAGE CODE: 'RJS001'.

ORIGINATED BY	DATE	TITLE	PART NO. / DRAWING NO.	STANDARD DIM.	[] METRIC DIM. AS REFERENCE	
HO	12-12-05	MECHANICAL DRAWING S558-5999-AN-F	X5585999AN-F	TOL. IN INCH	UNIT : INCH [mm] REV. : A	
DRAWN BY	DATE		FILE NAME	.X	SCALE : N/A	SIZE : A4
DQ Chen	12-12-05		X5585999ANFA.DWG	.XX ±0.01		PAGE : 3
				.XXX ±0.005		

