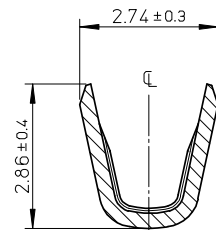
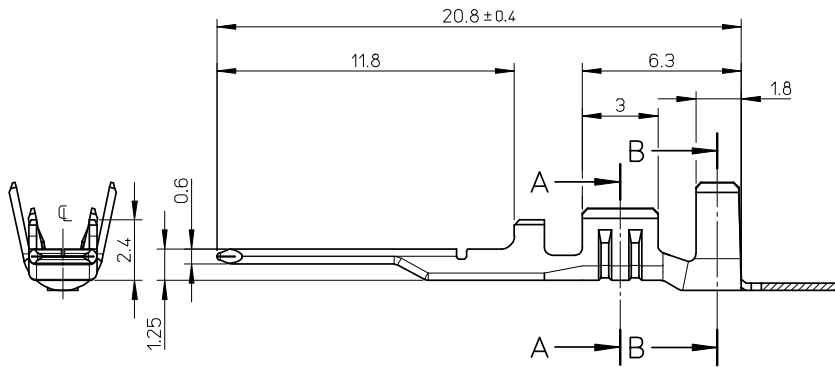
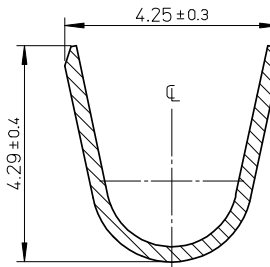


注記:
NOTES:

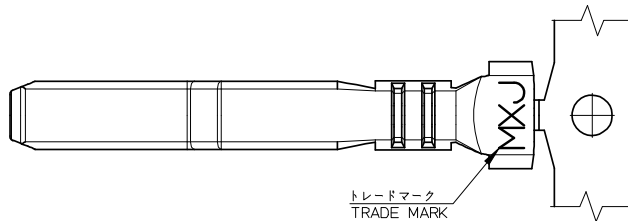
1. 使用材料: 銅合金(板厚=0.3)
MATERIALS: COPPER ALLOY (THICKNESS=0.3)
2. めっき仕様
FINISHES
コンタクト部: ニッケル下地 金めっき
CONTACT AREA: GOLD OVER NICKEL PLATING
めっき厚: 金めっき 0.25 マイクロメートル以上
下地めっき 1.0 マイクロメートル以上
THICKNESS: GOLD 0.25 MICROMETER MINIMUM
OVER NICKEL PLATING 1.0 MICROMETER MINIMUM
圧着部: ニッケル下地 錫めっき
CRIMP AREA: TIN OVER NICKEL PLATING
めっき厚: 錫めっき 1.0 マイクロメートル以上
下地めっき 1.0 マイクロメートル以上
THICKNESS: TIN 1.0 MICROMETER MINIMUM
OVER NICKEL PLATING 1.0 MICROMETER MINIMUM
3. 端子圧着の仕様については、圧着仕様書(CS-503196-001)を参照願います。
PLEASE REFER TO CRIMP SPECIFICATION (CS-503196-001) FOR ROBOT CONN.
4. 製品の仕様については、製品仕様書(PS-58691-001)を参照願います。
PLEASE REFER TO PRODUCT SPECIFICATION (PS-58691-001) FOR ROBOT CONN.
5. 製品の取扱いについては、コネクタ取り扱い説明書(AS-58696-001)を参照願います。
PLEASE REFER TO USER'S MANUAL (AS-58696-001) FOR ROBOT CONN.
6. 適合ハウジング: 503193-0600
APPLICABLE HOUSING: 503193-0600
7. 適用圧着工具: 578056-3000 (自動機/503195-1000に適用)
578056-5300 (手動工具/503195-1100に適用)
APPLICABLE CRIMP TOOL: 578056-3000 (AUTOMATIC / APPLY TO 503195-1000)
578056-5300 (HAND TOOL / APPLY TO 503195-1100)
8. 適用端子引抜き工具: 578056-6000
APPLICABLE TERMINAL EXTRACTION TOOL: 578056-6000
9. 適用電線範囲: AWG#16~19(0.76~1.39mm²)
APPLICABLE WIRE: AWG#16~19(0.76~1.39mm²)
10. 絶縁被覆外径: φ2.0~φ2.51mm
INSULATION EXTERNAL DIA: φ2.0~φ2.51mm
11. ELV及びRoHS適合品
ELV AND RoHS COMPLIANT



SECTION A-A
Scale 10:1



SECTION B-B
Scale 10:1



バラ状 LOOSE	503195-1100	503195-****
連鎖状 CHAIN	503195-1000	
端子形状 TERMINAL CONFIGURATION	オーダー番号 ORDER No.	MODEL No.

RELEASED EC NO: J2008-3396 DRWN: SAKIYAMA 2008/03/25 CHKD: SSAT003 2008/03/26 APPR: S ICHIKAWA 2008/03/26	GENERAL TOLERANCES (UNLESS SPECIFIED)		DIMENSION STYLE MM ONLY		SCALE 5:1	DESIGN UNITS METRIC	THIRD ANGLE PROJECTION
	10 UNDER	±0.20	DRAWN BY S. AKIYAMA	DATE 08/02/06	ROBOT CONN. 36P PLUG CRIMP TERMINAL MOLEX INCORPORATED DOCUMENT NO. SD-503195-001 SHEET NO. 1 OF 1		
	10 OVER 30 UNDER	±0.25	CHECKED BY S. SATO	DATE 08/02/06			
	30 OVER	±0.30	APPROVED BY S. ICHIKAWA	DATE 08/02/06			
ANGULAR ±3 °		MATERIAL NO. SEE CHART					
DRAFT WHERE APPLICABLE MUST REMAIN WITHIN DIMENSIONS		SIZE A3		THIS DRAWING CONTAINS INFORMATION THAT IS PROPRIETARY TO MOLEX INCORPORATED AND SHOULD NOT BE USED WITHOUT WRITTEN PERMISSION			