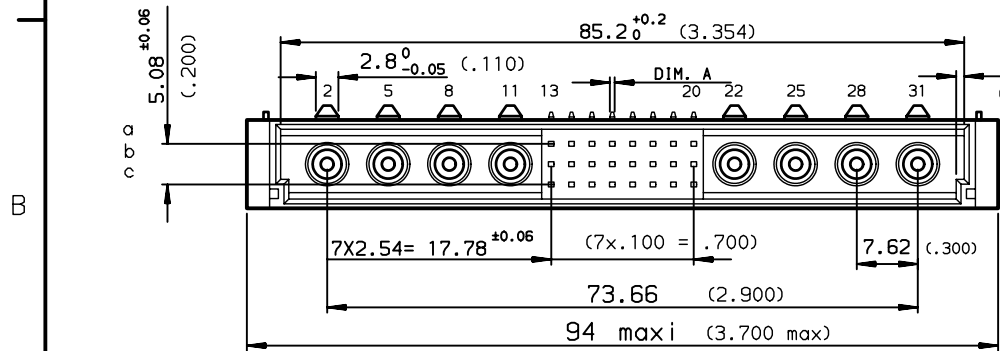
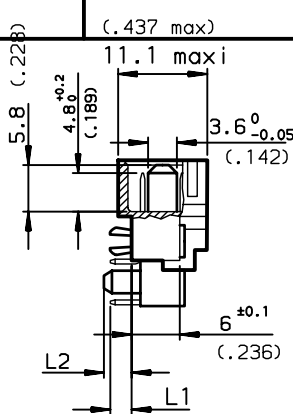
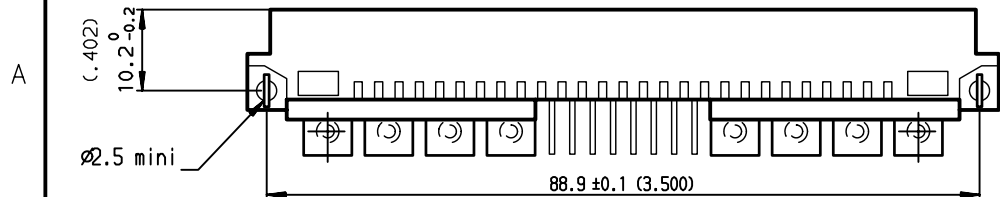
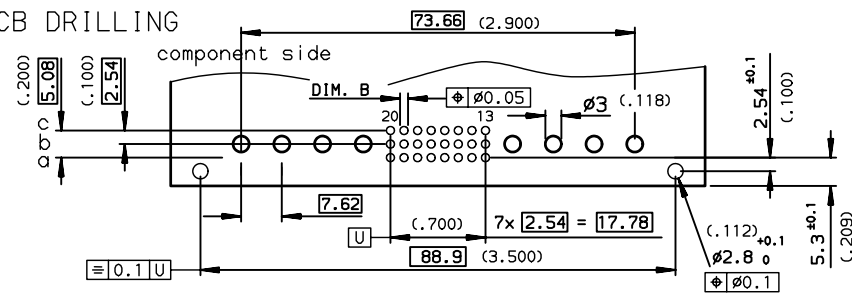


DIMENSIONS mm (inches)



PART NUMBER	8609	GP	5
PIN OUT	rows a-b-c: 3-24, 4-16		
NUMBER OF CONTACTS	13 / 23		
TERMINATION	L = 2.75 ±0.15 (.108) A = Ø0.6 ⁰ _{-0.08} B = Ø.08 ⁰ ₀		
OPTIONS	no option: 7, with harpoons: H		
PERFORMANCE CLASS	DIN 41612 class 2: 5, DIN 41612 class 1: 5		
TERMINATION TYPE	TIN LEAD: 000E1, LEAD FREE: E1LF		

PCB DRILLING



GENERAL CHARACTERISTICS AND ROHS INFORMATIONS:

SEE DRAWING C-8609-0000A

European Views

www.fciconnect.com	surface ISO 1302 ✓	tolerance std ISO 406 ISO 1101	projection	mm
TOLERANCES UNLESS OTHERWISE SPECIFIED				
Dr TARON 1997/04/14	ANGULAR	0.X ±0.1	size A3	Scale 1.5
Eng TARON 1997/04/14	LINEAR	0.XX ±0.1	ECN LS06-0095	
Chr LEGARE 1997/04/14	0.XX' ±2'	0.XXX ±0.1	Spec ref -	
Appr LEGARE 1997/04/14	Product family	DIN 8609		
RIGHT ANGLE MALE - STYLE M			dwg no C-8609-0582	Rev. D
with power pins fitted			CUSTOMER	sheet 1 of 1

rev	ecn no	dr	date
B	-	ROU	1997/09/12
C	LS05-001	JTA	2005/03/03
D	LS06-0095	LGO	2006/07/13
-	-	-	-
-	-	-	-
-	-	-	-