

DETAILS

Product Number	C14321_STRADA-SQ-T2-NP
Family	Strada
Type	Lens
Color	clear
Diameter	25 x 25 mm
Height	8,6 mm
Style	square
Optic Material	PMMA
Holder Material	
Fastening	tape
Status	production ready
ROHS Compliant	Yes
Date Updated	19/06/2014

OPTICAL PROPERTIES

LED	Viewing Angle	Light Beam	Efficiency	cd/lm	Connector
MK-R	asymmetric deg	Asymmetric	94 %	0.600	-
LUXEON M/MX	asymmetric deg	Asymmetric	93 %	0.700	-



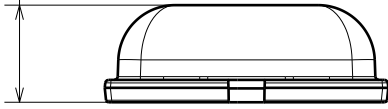
D

C

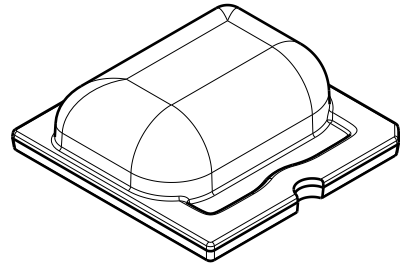
B

A

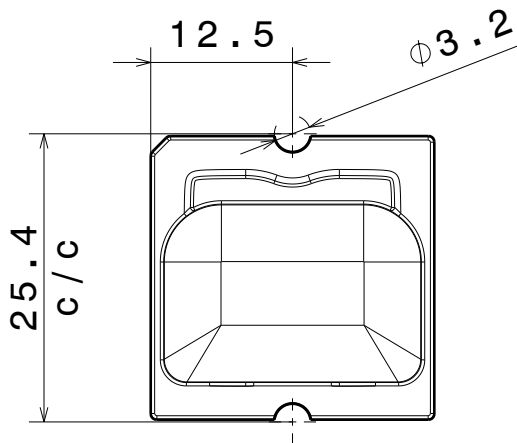
8.56



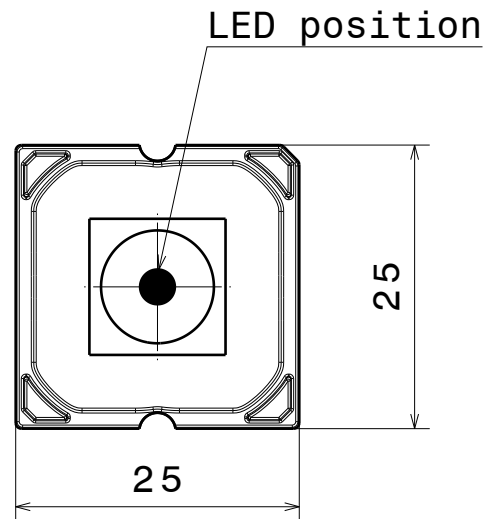
Front view



Isometric view



Top view



Bottom view

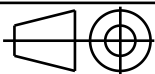
INDEX	PART NO	DESCRIPTION	MATERIAL	COLOUR
1	C14321	STRADA-SQ-T2	PMMA	clear

Tolerances if not otherwise shown
According to DIN ISO 2768-1
Linear measures: class C
According to DIN ISO 2768-2
Form and position: class L

LEDiL

Ledil Oy
Salorankatu 10
FIN 24240 SALO
Finland

THIRD ANGLE PROJECTION:



DRAWING TITLE

C14321_STRADA-SQ-T2_mech

This drawing is the property
of LEDiL Oy. It may not be
reproduced, copied or
communicated without a written
agreement with LEDiL Oy.

SIZE PART NUMBER

A4

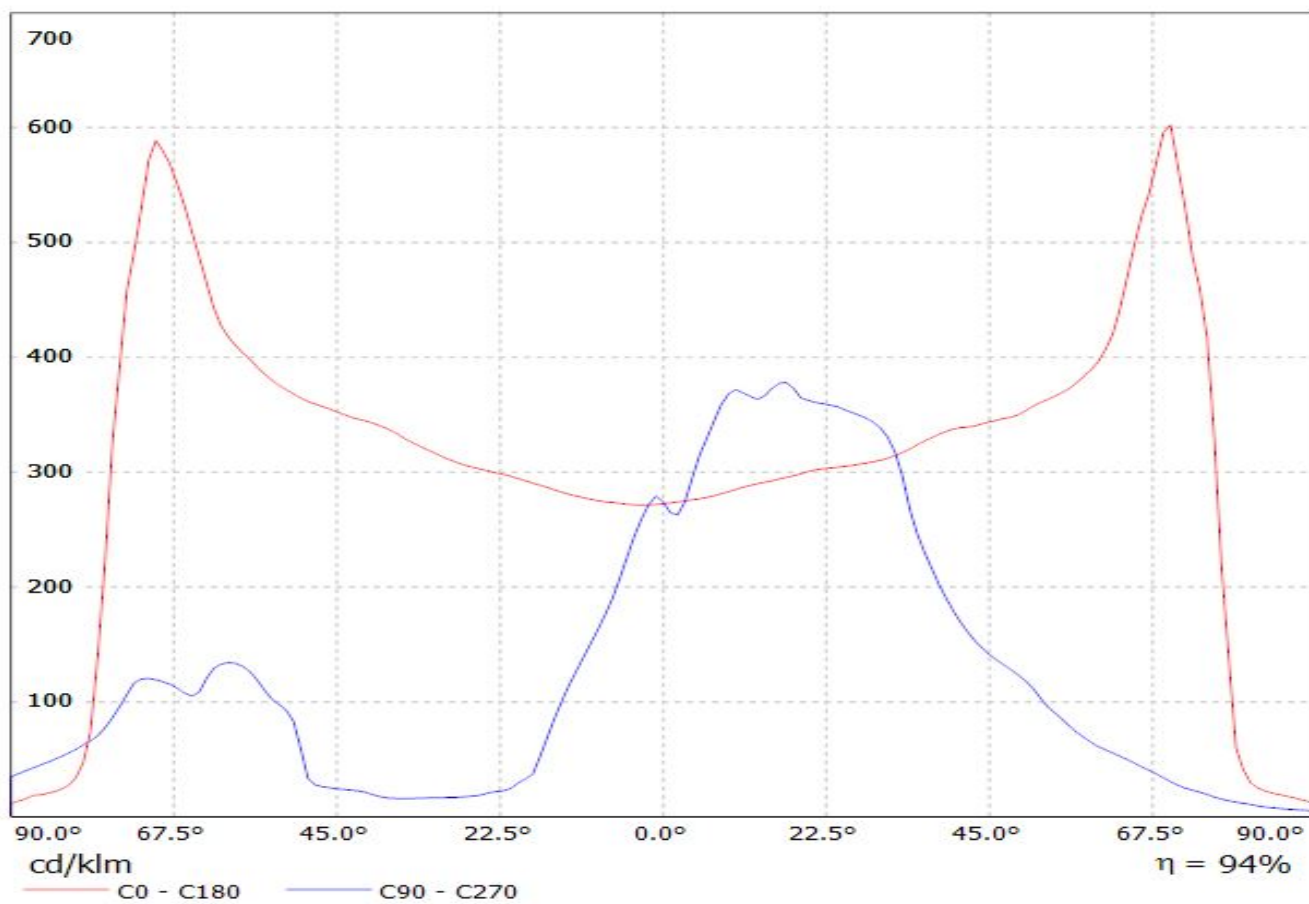
C14321

SCALE	3:2	WEIGHT	3,18 g	SHEET	1/1
-------	-----	--------	--------	-------	-----

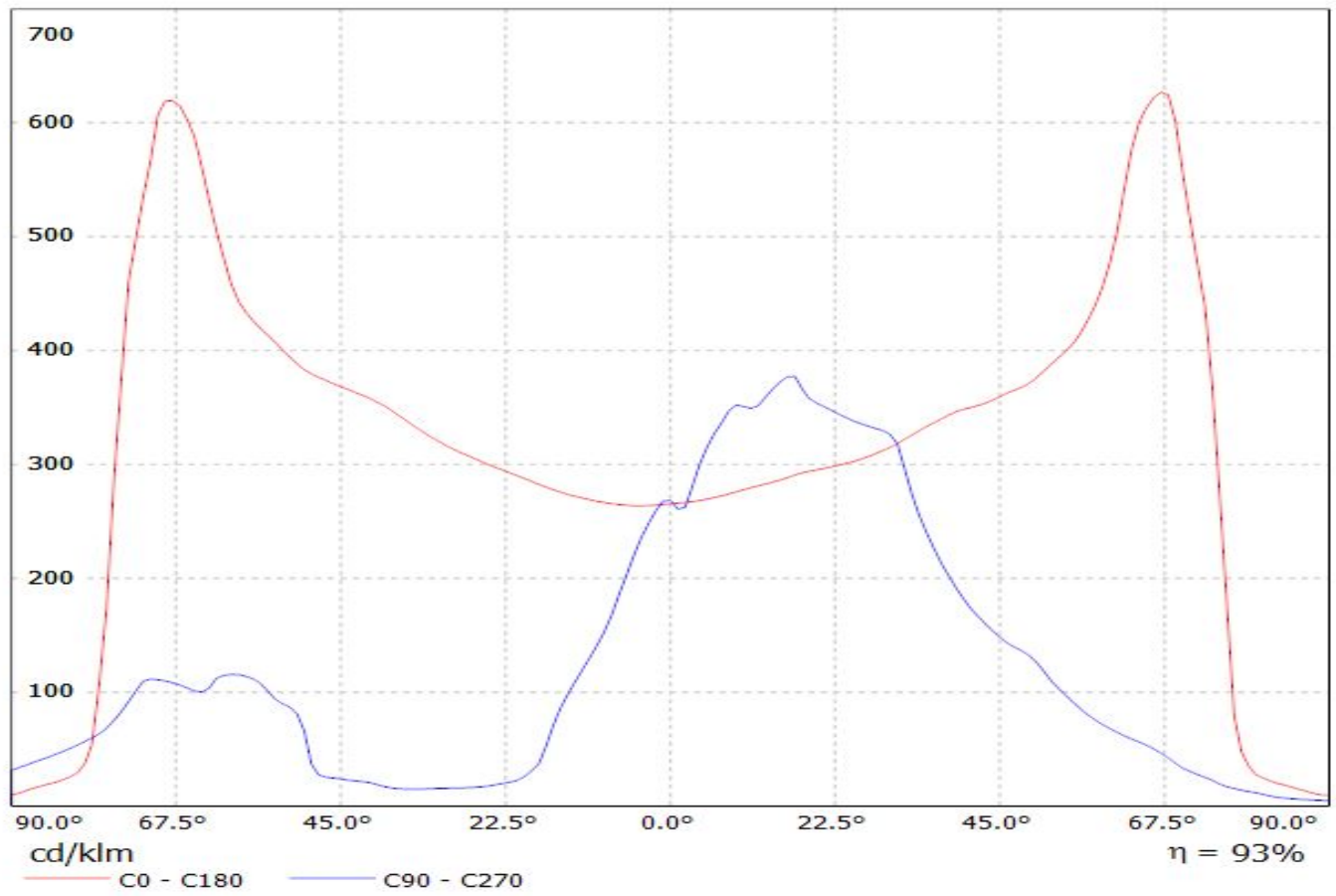
D

A

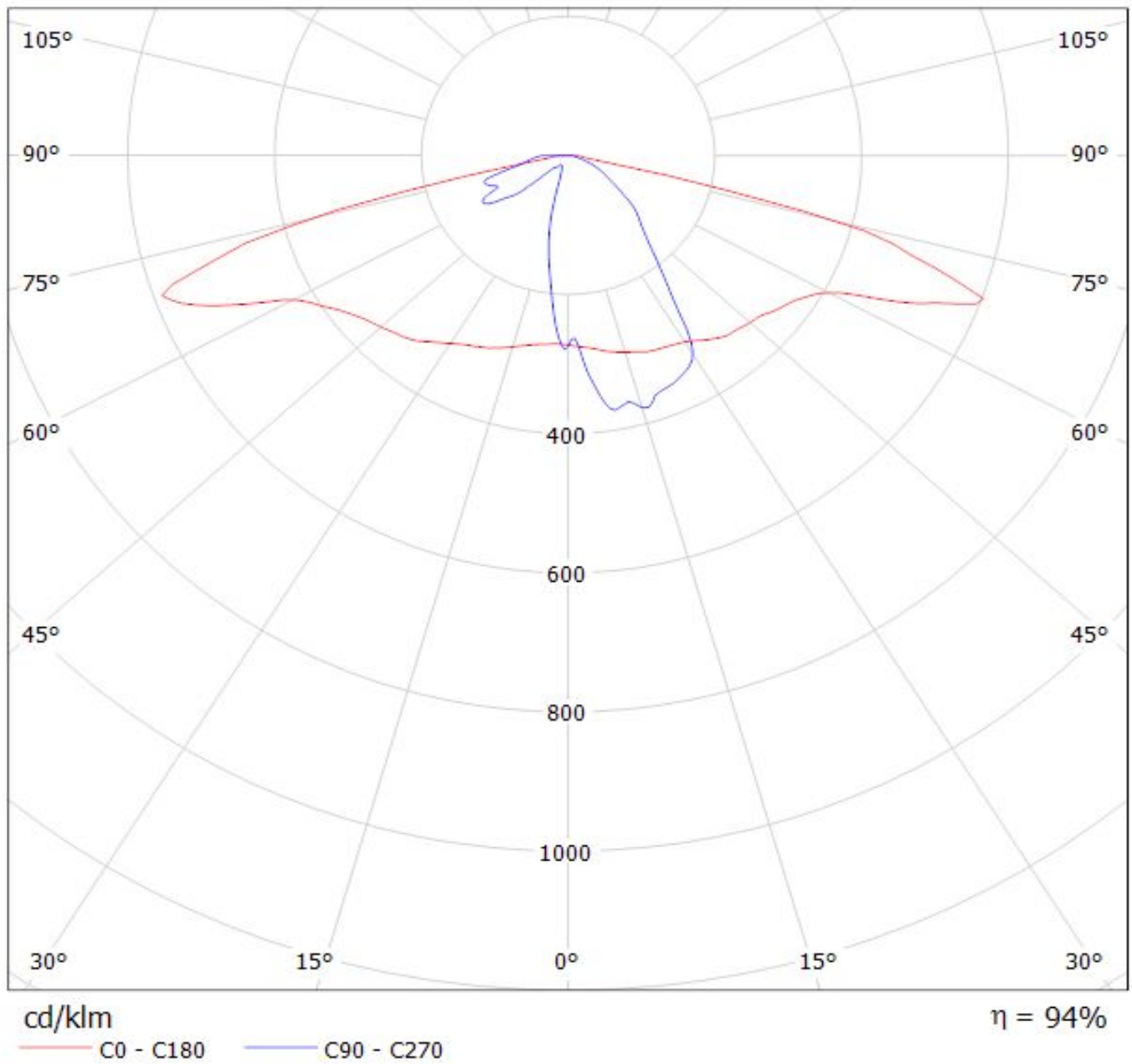
Luminaire: LEDiL Oy C14321_STRADA-SQ-T2_(MK-R) Eff.94.0%
Lamps: 1 x CREE_MK-R_357.146lm@250mA_P=2.83012W_I=249.9mA



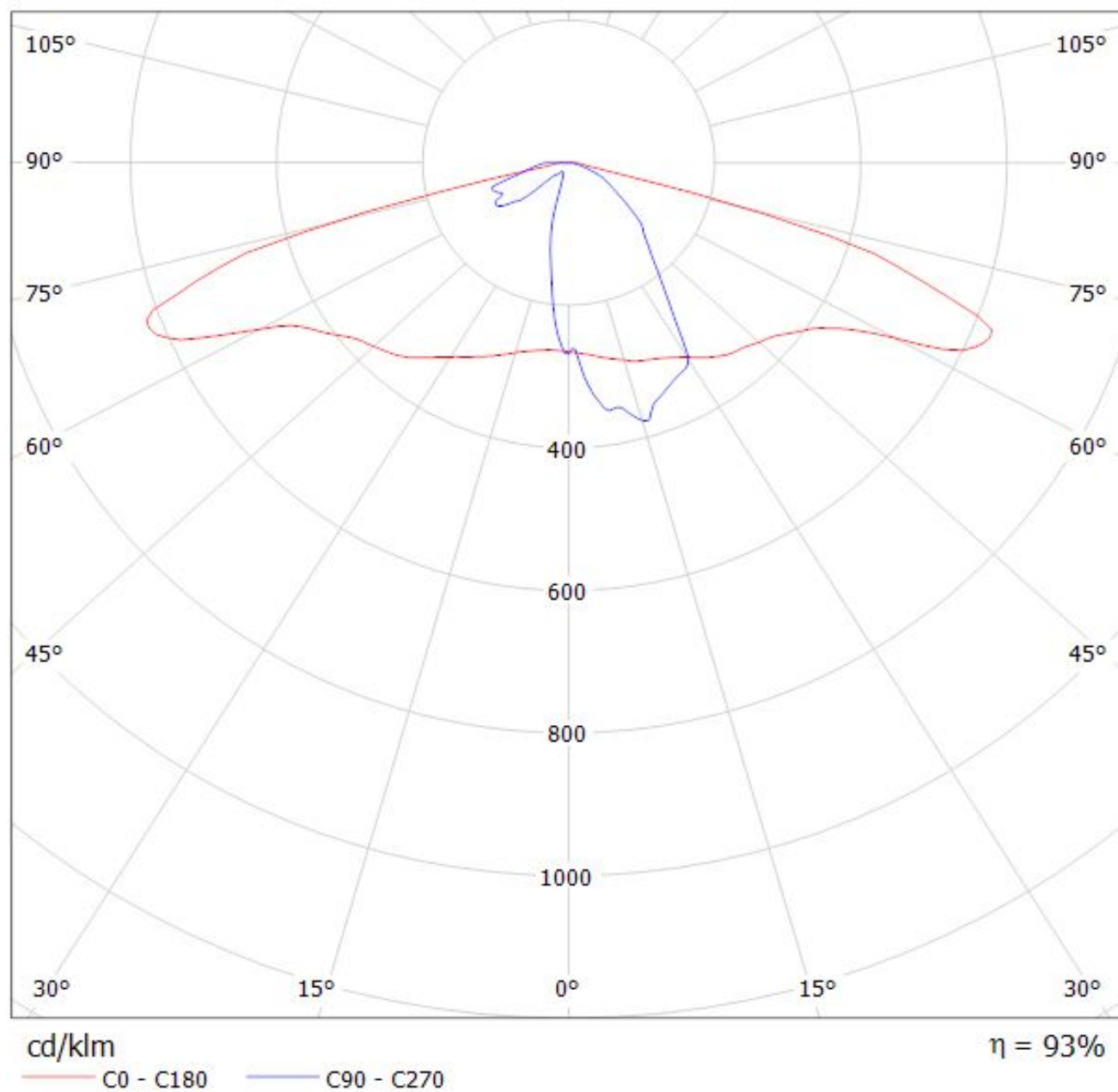
Luminaire: LEDiL Oy C14321_STRADA-SQ-T2_(Luxeon-M) Eff.93.3%
Lamps: 1 x Luxeon-M_349.125lm@250mA_CCT=4092K_P=2.73041W_I=249.9mA



Luminaire: LEDiL Oy C14321_STRADA-SQ-T2_(MK-R) Eff.94.0%
Lamps: 1 x CREE_MK-R_357.146lm@250mA_P=2.83012W_I=249.9mA



Luminaire: LEDiL Oy C14321_STRADA-SQ-T2_(Luxeon-M) Eff.93.3%
Lamps: 1 x Luxeon-M_349.125lm@250mA_CCT=4092K_P=2.73041W_I=249.9mA



NOTE: The typical divergence will be changed by different color, chip size and chip position tolerance. The typical total divergence is the full angle measured where the luminous intensity is half of the peak value.