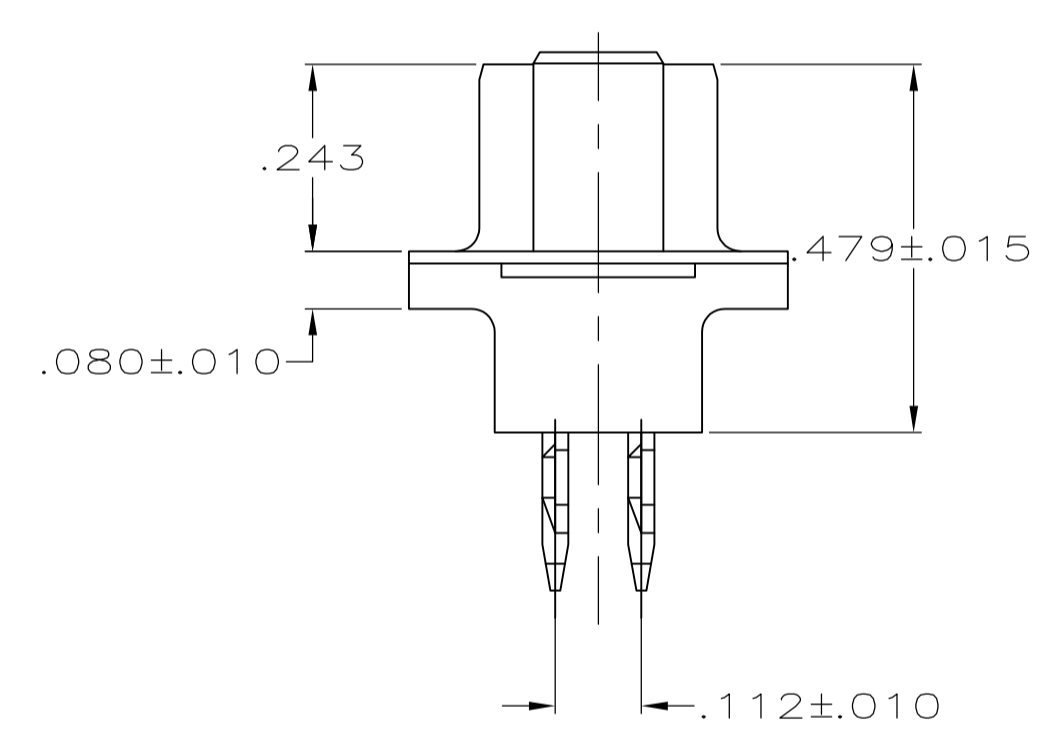
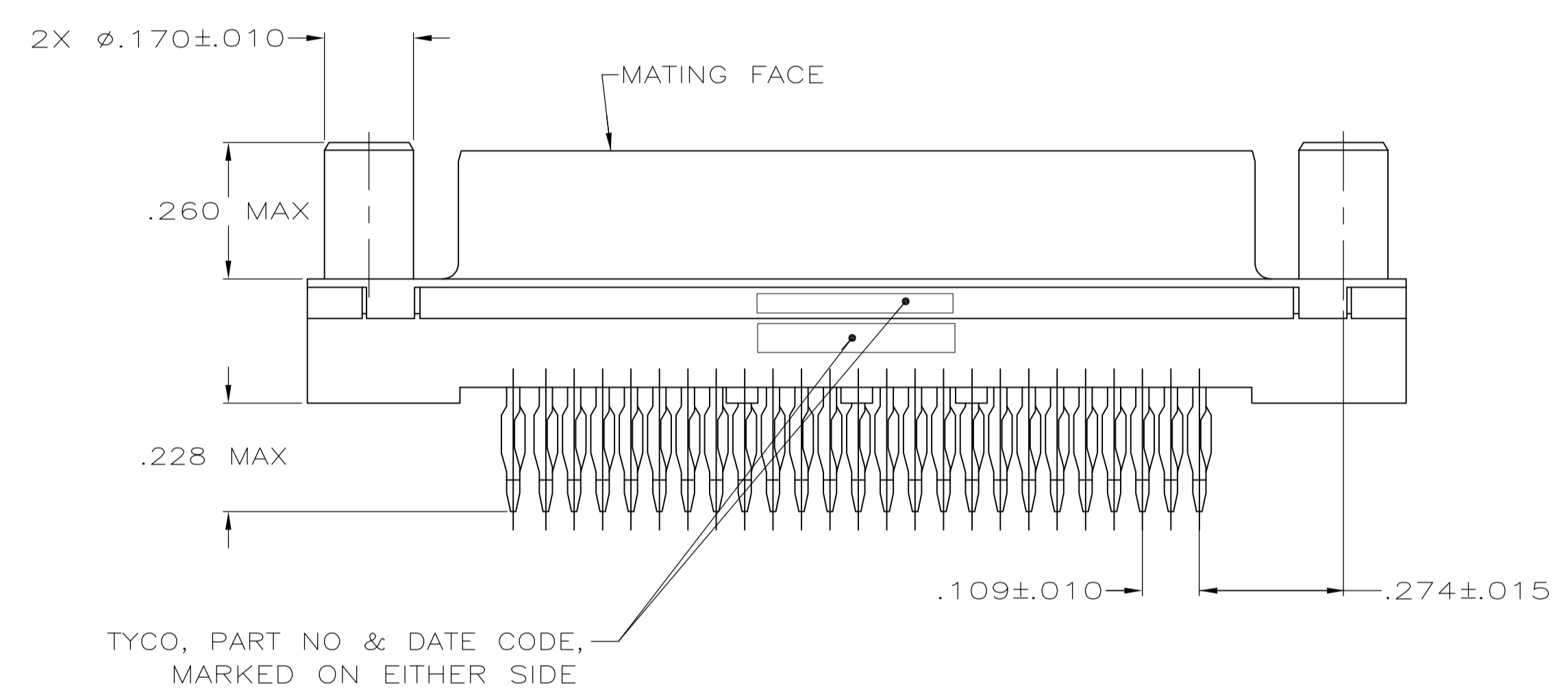
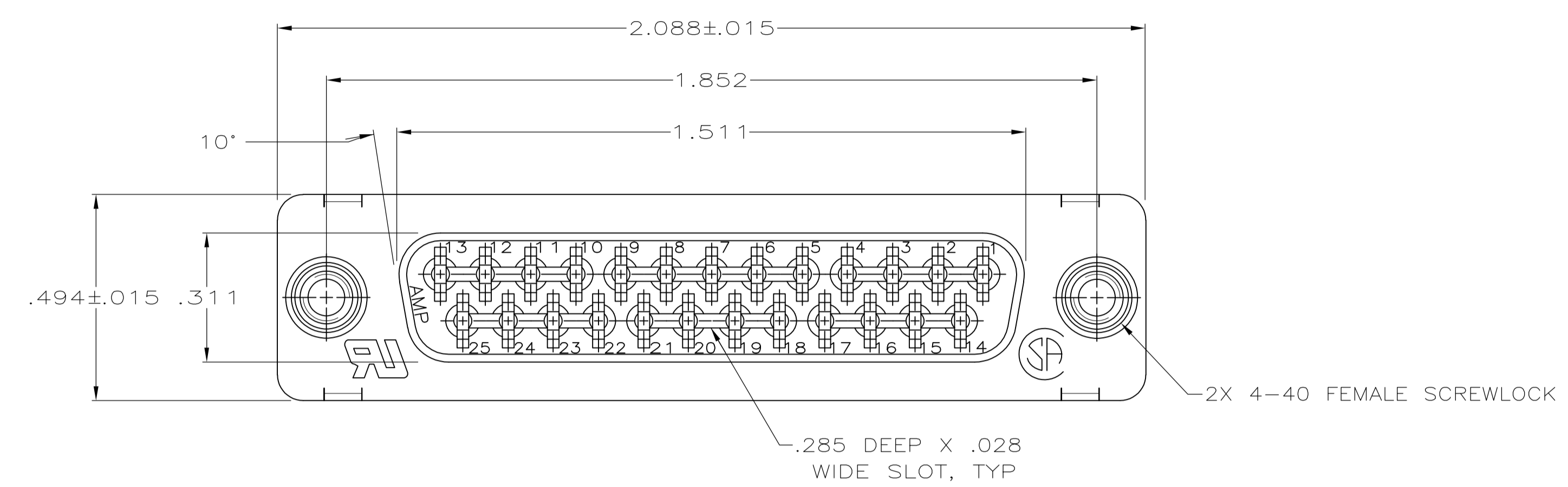


LOC		DIST		REVISIONS			
P	LTR	DESCRIPTION	DATE	DWN	APVD		
C		REVISED PER ECO-12-000090	26JAN2012	CJV	SLB		



- 1 FOR USE WITH .093 MINIMUM THICK PRINTED CIRCUIT BOARD. REFER TO APPLICATION SPECIFICATION FOR PRINTED CIRCUIT BOARD LAYOUT DIMENSIONS AND FINISH RECOMMENDATIONS.
- 2 HOUSING: FLAME RETARDANT, 94V-0 RATED, GLASS FILLED, NYLON OR POLYESTER, COLOR: BLACK.
- 3 CONTACTS: COPPER ALLOY.
- 4 SHELL: CARBON STEEL.
- 5 SCREWLOCKS: ZINC ALLOY.
- 6 SCREWLOCKS: CLEAR CHROMATE.
- 7 SHELL: .000200 MIN TIN OVER .000100 MIN COPPER.
- 8 CONTACTS:  
0.76 MICROMETERS [.000030]MIN GOLD IN MATING AREA.  
2.54 MICROMETERS [.000100]MIN TIN ON COMPLIANT PIN.  
ALL OVER 1.27 MICROMETERS [.000050]MIN NICKEL.  
OR  
GOLD FLASH OVER PALLADIUM NICKEL.  
0.76 MICROMETERS [.000030]MIN TOTAL IN MATING AREA.  
2.54 MICROMETERS [.000100]MIN TIN ON COMPLIANT PIN.  
ALL OVER 1.27 MICROMETERS [.000050]MIN NICKEL.

5745928-2  
PART NO

THIS DRAWING IS A CONTROLLED DOCUMENT. DIMENSIONING AND TOLERANCING PER ASME Y14.5M-2009		DWG: G. PETERS/DTI 03FEB08 CHK: S. BOLASH 03FEB08	NAME: RECEPTACLE ASSEMBLY, SIZE 3, 25 POSITION, WITH ACTION PIN CONTACTS, 4-40 SCREWLOCKS, AMPLIMITE HD-20	
DIMENSIONS: INCHES	TOLERANCES UNLESS OTHERWISE SPECIFIED:	APVD: M. WALMSLEY 03FEB08	PRODUCT SPEC: 108-40014	RESTRICTED TO: -
0. PLC ± -	1. PLC ± -	APPLICATION SPEC: 114-40026 1	SIZE: A1	SCALE: 4:1
2. PLC ± -	3. PLC ± .005	WEIGHT: -	CAGE CODE: 00779	SHEET: 1 OF 1
4. PLC ± -	ANGLES ± -	CUSTOMER DRAWING	DWG NO: 5745928	REV: C
FINISH: 2 3 4 5		SCALE: 4:1 SHEET: 1 OF 1 REV: C		