

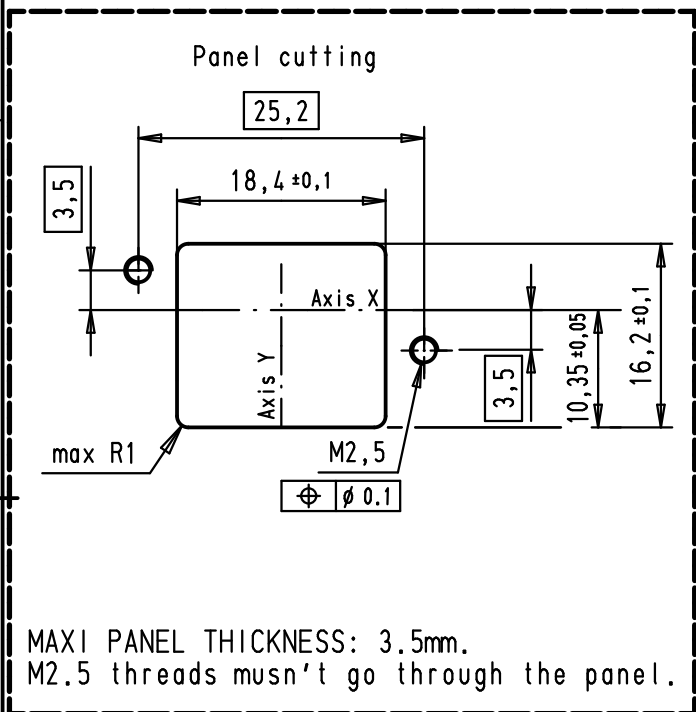
1 2 3 4 5 6

A

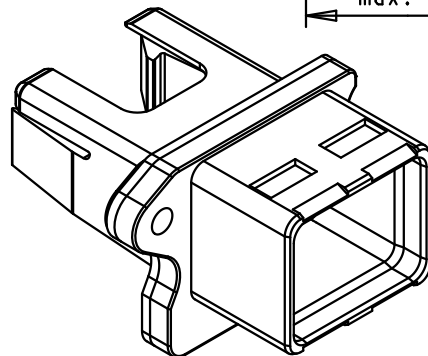
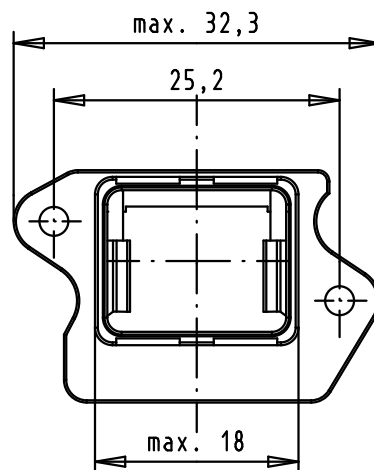
B

C

D



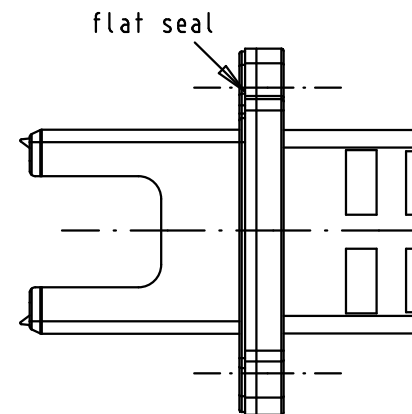
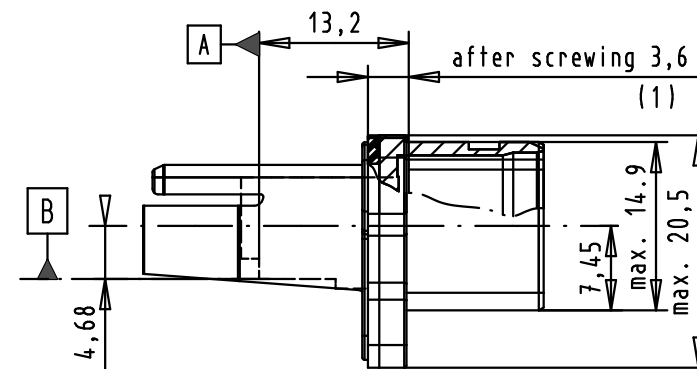
MAXI PANEL THICKNESS: 3.5mm.
M2.5 threads musn't go through the panel.



Connector pitch on panel:
Axis X = 27 mm and Axis Y = 21 mm
Receptacle mating side according to
600076-3-106 IEC - variant 04

Mating references A and B
according to IEC 60603-7

(1) Screwing x2 M2.5 screws between 0.5N.m and 0.8N.m
screw according to DIN 912 and ISO 4762



				Det.	Name		Push pull RJ Industrial black Thermoplastic IP67 Receptacle With overmolded flat Seal	Maßstab/ Scale 1,5:1
			Detail.	12/01/10	AB			
			Insp.	14/06/11	JMV			
36243	14/06/11	AB	Stand.				TB 09 45 545 00 29	Blatt/ Page 1/1
36092	05/09/10	AB	HARTING EURL F-95972 Paris					
EC01204	12/01/10	AB						
Mod.	Det.	Name						