

POWER INLET SOCKET

PRODUCT BULLETIN 526

RAPC322 POWER INLET SOCKET

Switchcraft introduces the RAPC322, an IEC320 inlet developed as a low power interconnect used in a variety of applications. The RAPC322 is molded from 94-VO rated material, is UL recognized, and meets a wide variety of approvals including CSA and VDE. The RAPC is rated at 2.5A at 250V. Applications for the RAPC322 include notebook computers, medical devices, and data communications products.

Features and Benefits

- Snap-in feet facilitate wave soldering
- Top and side slots allow chassis to captivate connector
- Conforms to EN 60320-1/2

Markets

- Appliance Inlet
- Personal Computer
- Data Communications
- Medical Equipment
- Test Equipment
- Instrumentation

Specifications

General

Current Rating: 5A, UL and CSA
2.5A, VDE and SEMKO

Nominal Voltage: 250V

Temperature Range: - 55°C to 65°C

Dielectric Strength: 2000V @ 1 minute

Materials

Housing: Black, molded thermoplastic,
UL 94V-0

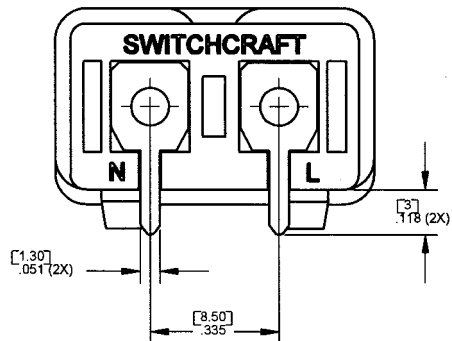
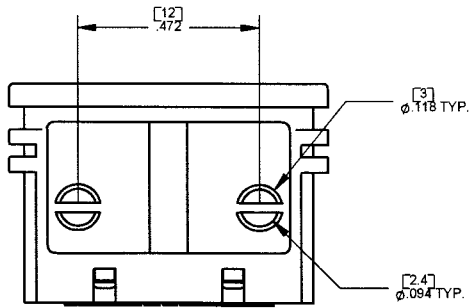
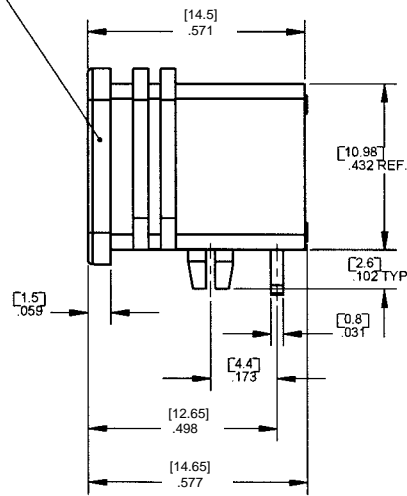
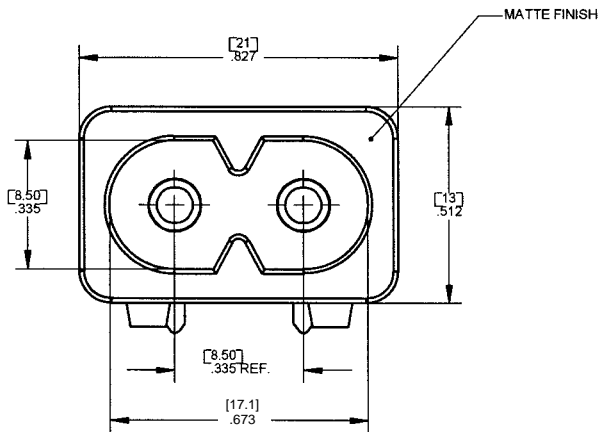
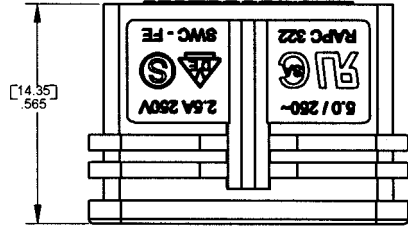
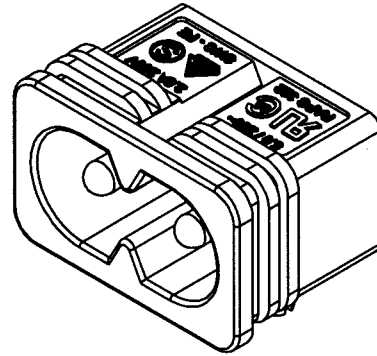
Male Pins: Copper alloy, nickel plated

PC Terminals: Copper alloy, tin plated



POWER INLET SOCKET PRODUCT BULLETIN 526

Power Inlet Socket RAPC322



REVISED 9-24-03