



# PRODUCT DATASHEET

## Lenina series

last update 31/10/2016

### DETAILS

<b>Product Number</b>	CN13110_LENINA-S
<b>Family</b>	Lenina
<b>Type</b>	RefPack
<b>Color</b>	metal
<b>Diameter</b>	74 mm
<b>Height</b>	44,6 mm
<b>Style</b>	round
<b>Optic Material</b>	
<b>Holder Material</b>	
<b>Fastening</b>	screw, socket
<b>Status</b>	production ready
<b>ROHS Compliant</b>	Yes
<b>Date Updated</b>	31/10/2016

### OPTICAL PROPERTIES

LED	Viewing Angle	Light Beam	Efficiency	cd/lm	Connector
Soleriq E30	24 deg	Spot	89 %	3.000	-



D

C

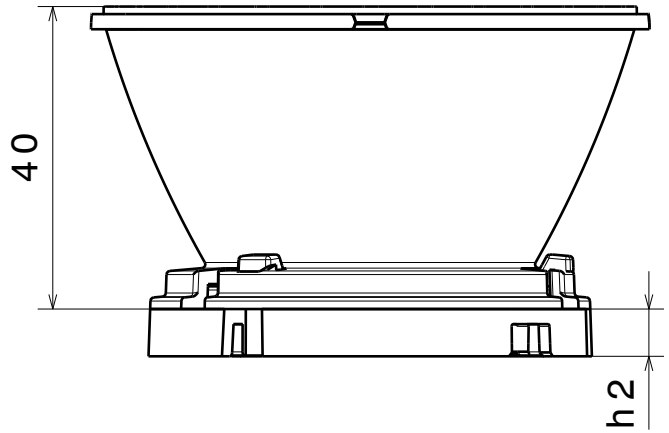
B

A

4

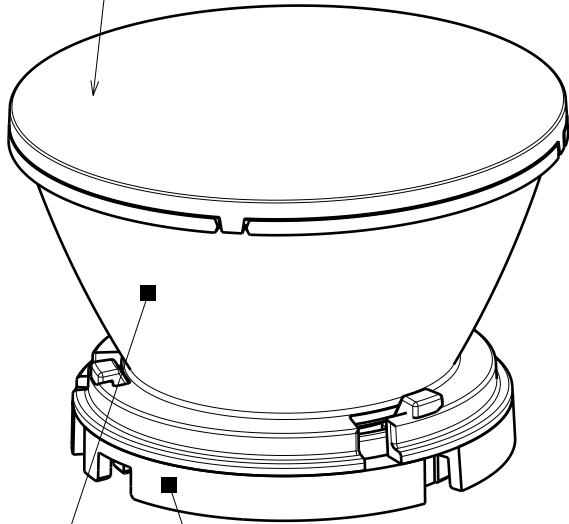
4

Material of optional sublens: PC, clear



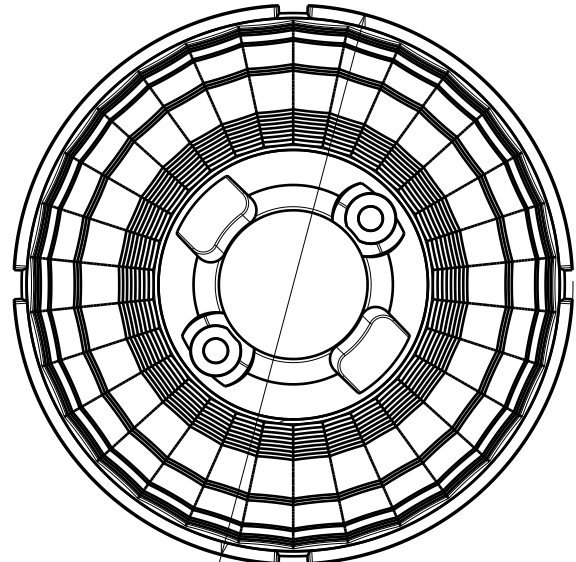
3

3



Base material PC, white

Reflector material PC



2

2

**NOTE:**

Using optional sublens, add 2.1mm to the system height

Dimension 'h2' varies from 4.5mm to 7mm depending on the LED specific base part

This drawing is our property. It can't be reproduced or communicated without our written agreement.



Ledil Oy  
Salorankatu 10  
FIN-24240 SALO  
Finland

**DRAWING TITLE**

**Datasheet Lenina series**

1

1

**DRAWN BY**

ks

**DATE**

23.04.2014

**CHECKED BY**

**DATE**

**SIZE**

A4

**DRAWING NUMBER**

--

**REV**

1

**DESIGNED BY**

pl

**DATE**

08.03.2012

**SCALE**

1:1

**WEIGHT (g)**

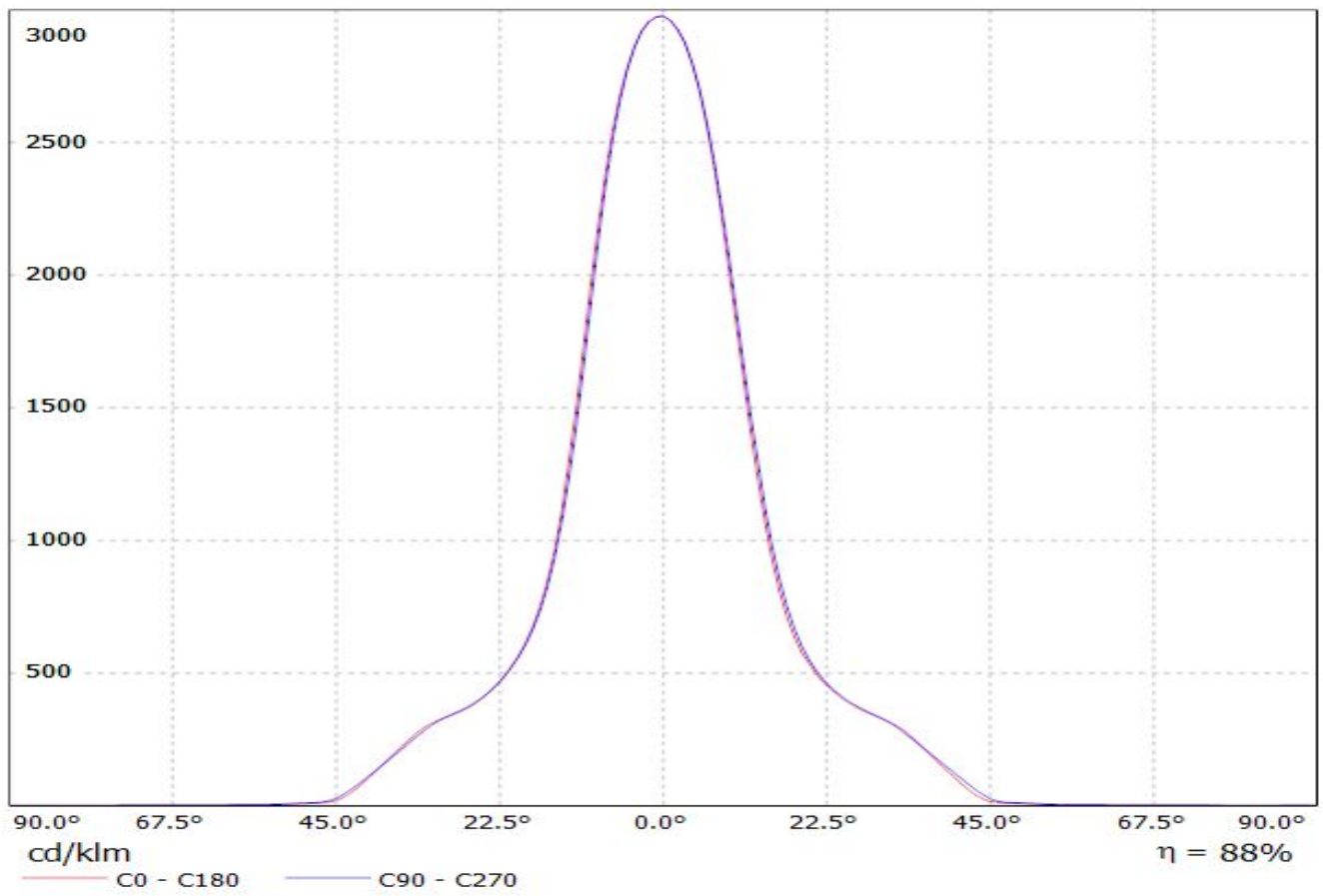
**SHEET**

1/1

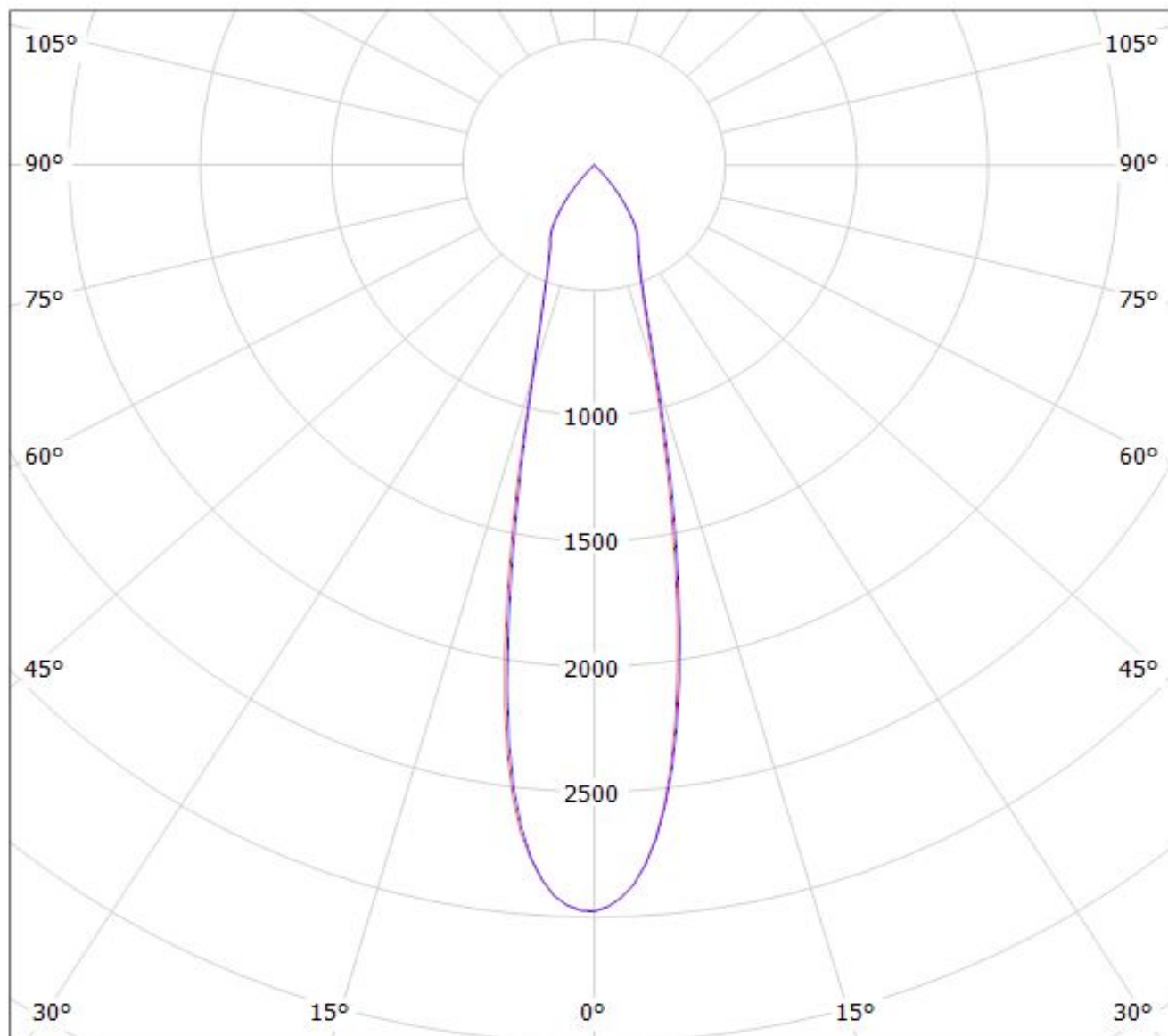
D

A

Luminaire: LEDiL Oy CN13110\_LENINA-S\_(SoleriqE30) Eff.88.5%  
Lamps: 1 x Osram Soleriq E30 (1262.22lm@250mA)



Luminaire: LEDiL Oy CN13110\_LENINA-S\_(SoleriqE30) Eff.88.5%  
Lamps: 1 x Osram Soleriq E30 (1262.22lm@250mA)



cd/klm

— C0 - C180

— C90 - C270

$\eta = 88\%$

**NOTE: The typical divergence will be changed by different color, chip size and chip position tolerance. The typical total divergence is the full angle measured where the luminous intensity is half of the peak value.**

### **GENERAL INFORMATION**

- Product series especially designed & optimized for series of LEDs.
- Special care taken to make light distribution as uniform as possible.

Note! Due to use of high power COB's with this product, special attention to proper thermal design is highly recommended. LEDiL has no liability for direct, indirect or consecutive damages arising from the LEDiL products being used outside of the recommended temperature range.