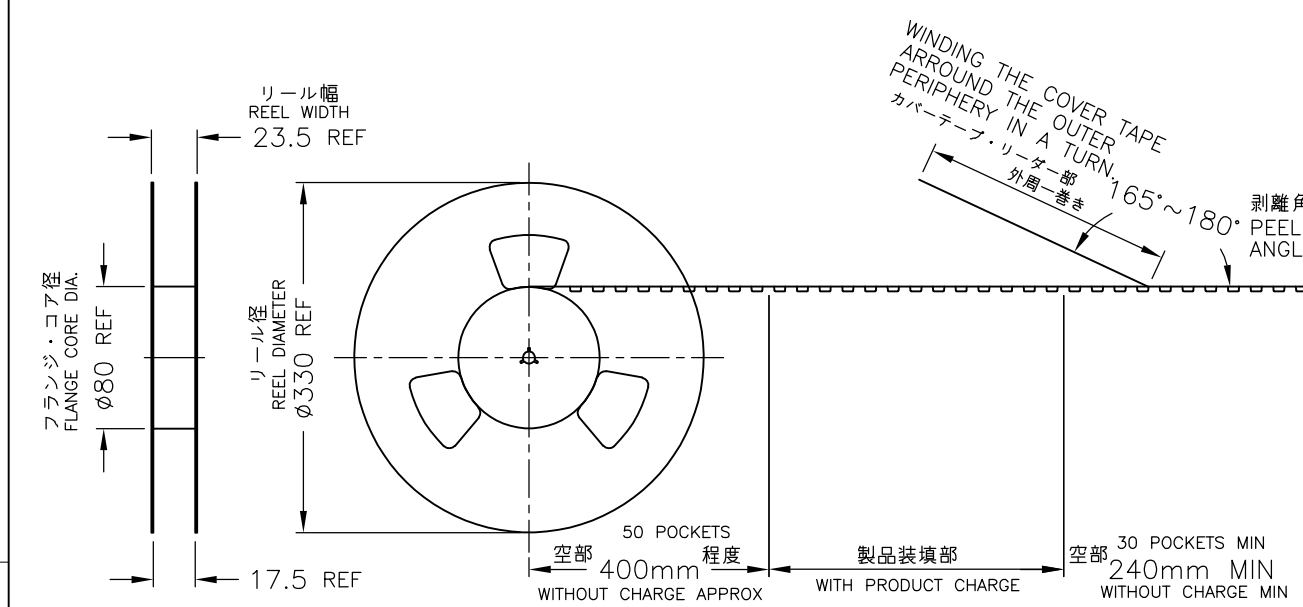
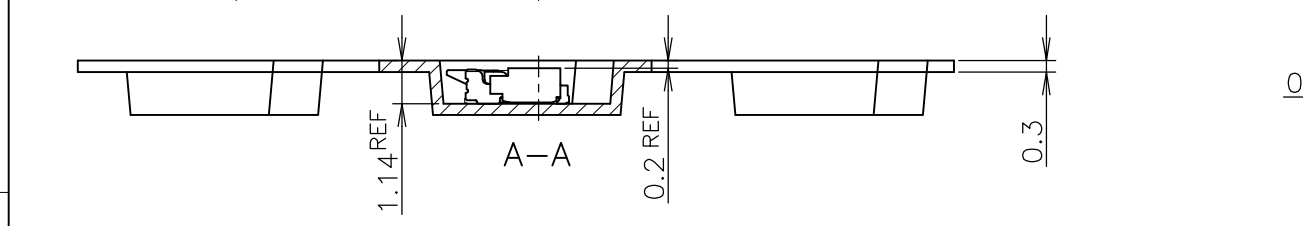
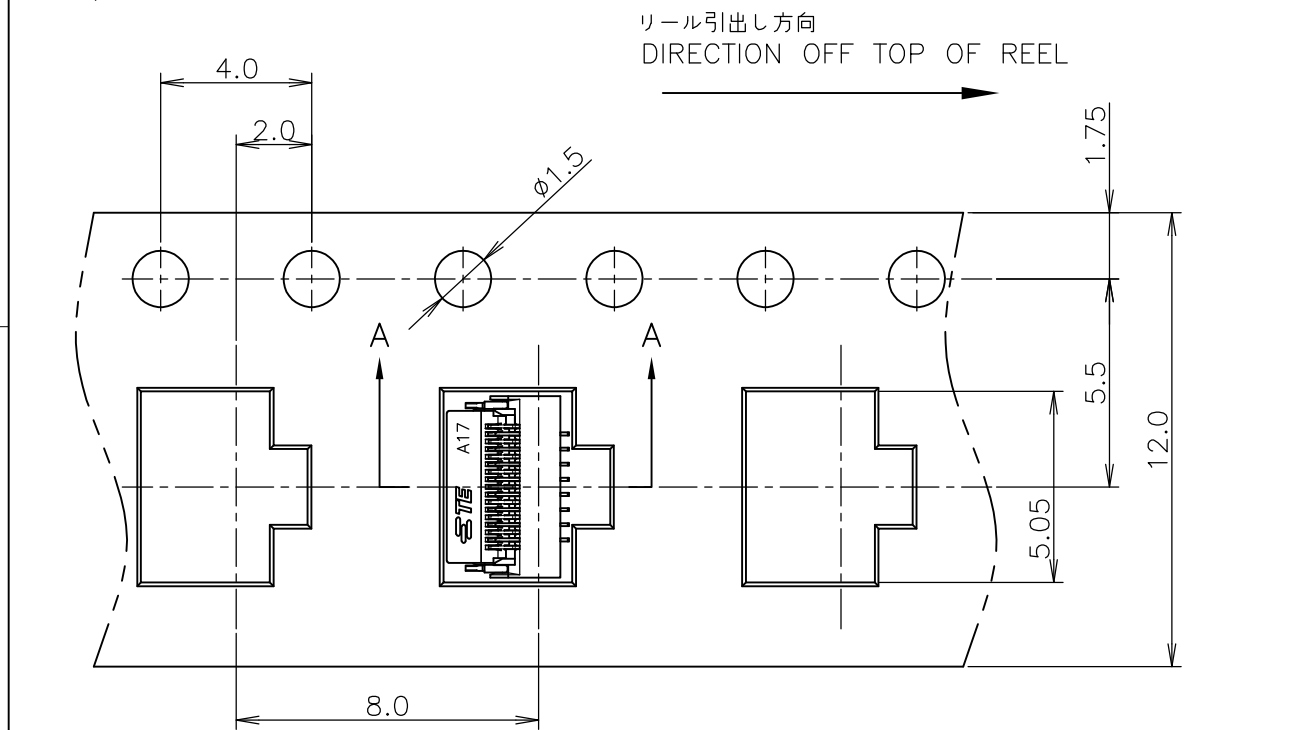


THIS DRAWING IS UNPUBLISHED. RELEASED FOR PUBLICATION APR, 2011.
 © COPYRIGHT 2011 By Tyco Electronics Japan G.K. ALL RIGHTS RESERVED.

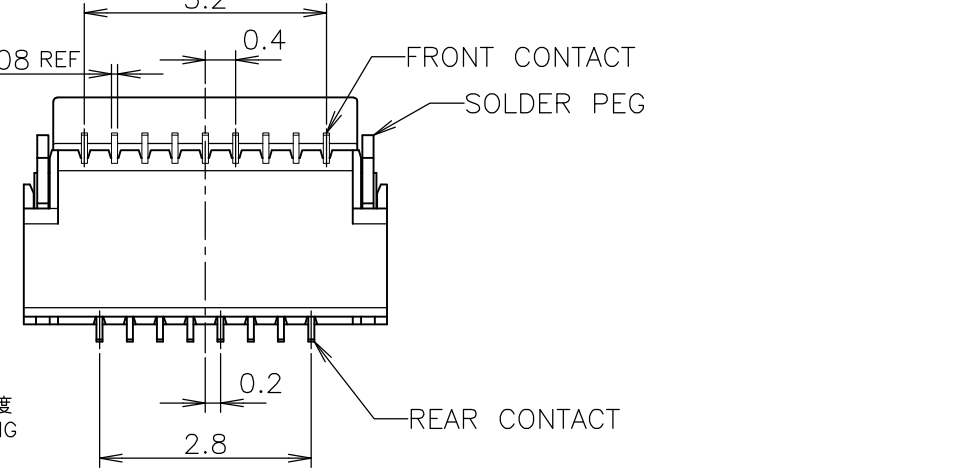
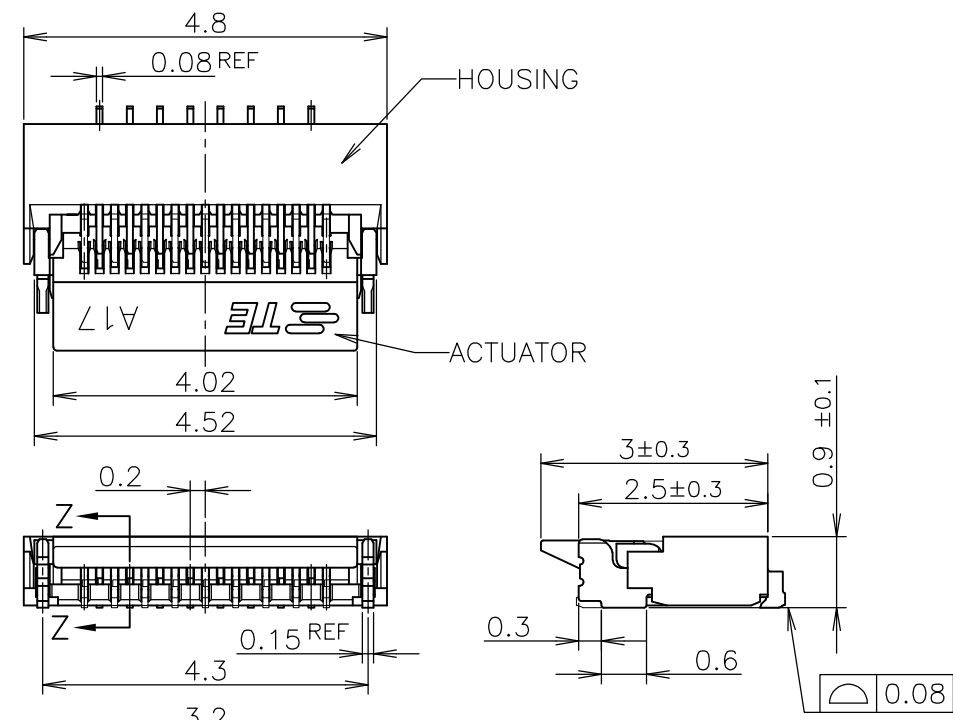
LOC	DIST	REVISIONS					
		P	LTR	DESCRIPTION	DATE	DWN	APVD
J	/	A1	REVISED	ECR-11-007423	08APR2011	Y.K	S.K

-2; AS SHOWN



WINDING THE COVER TAPE AROUND THE OUTER PERIPHERY IN A TURN.
 カバーテープ・リール部 外周一周
 剥離角度 PEELING ANGLE 165°~180°

GENERAL TOLERANCE 一般公差
 10 ≥ : ±0.2
 30 ≥ > 10: ±0.25
 100 ≥ > 30: ±0.3
 ANGLES: ±3°



CONNECTOR DETAIL (SCALE 10:1)

- △ MATERIAL
 HOUSING: THERMO PLASTIC UL94V-0
 ACTUATOR: THERMO PLASTIC UL94V-0
 FRONT CONTACT: COPPER ALLOY
 REAR CONTACT: COPPER ALLOY
 SOLDER PEG: COPPER ALLOY
- △ FINISH
 FRONT CONTACT: GOLD OVER NICKEL PLATING
 REAR CONTACT: GOLD OVER NICKEL PLATING
 SOLDER PEG: TIN OVER NICKEL PLATING
- 3 THIS PRODUCT IS THE NICKEL DAM TYPE.

- △ 材質
 ハウジング：熱可塑性樹脂 UL94V-0
 アクチュエーター：熱可塑性樹脂 UL94V-0
 フロントコンタクト：銅合金
 リアコンタクト：銅合金
 ソルダペグ：銅合金
- △ めっき
 フロントコンタクト：金めっき（ニッケル下地めっき）
 リアコンタクト：金めっき（ニッケル下地めっき）
 ソルダペグ：スズめっき（ニッケル下地めっき）
- 3 本品は、Niダム仕様のコネクタである。

400	17	1981522-2
QTY/ REEL	POS	EMBOSS TAPING PART NO.

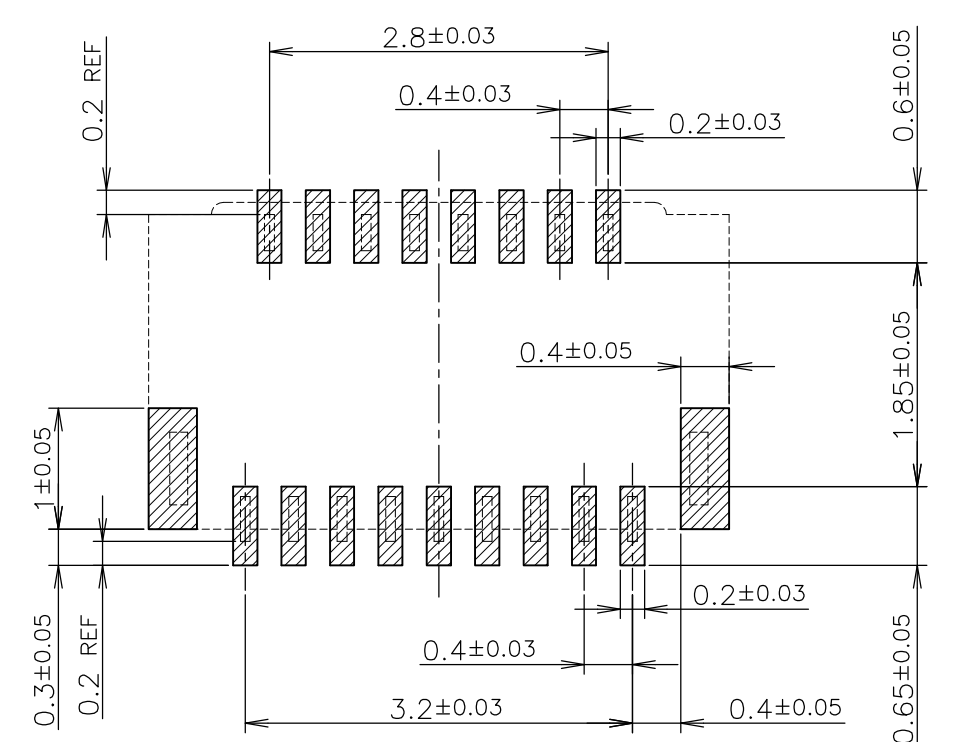
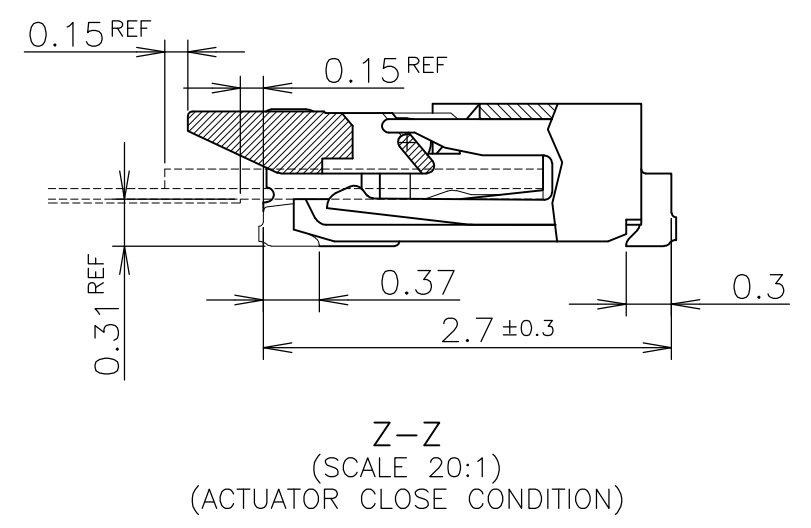
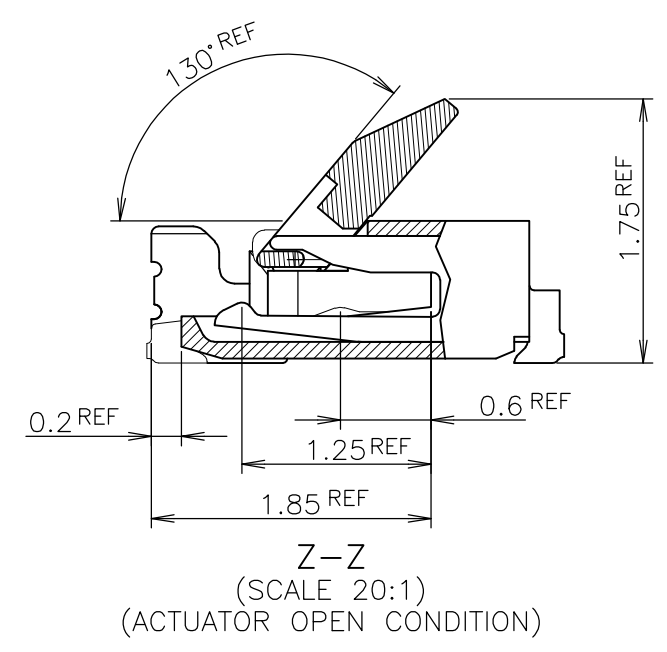
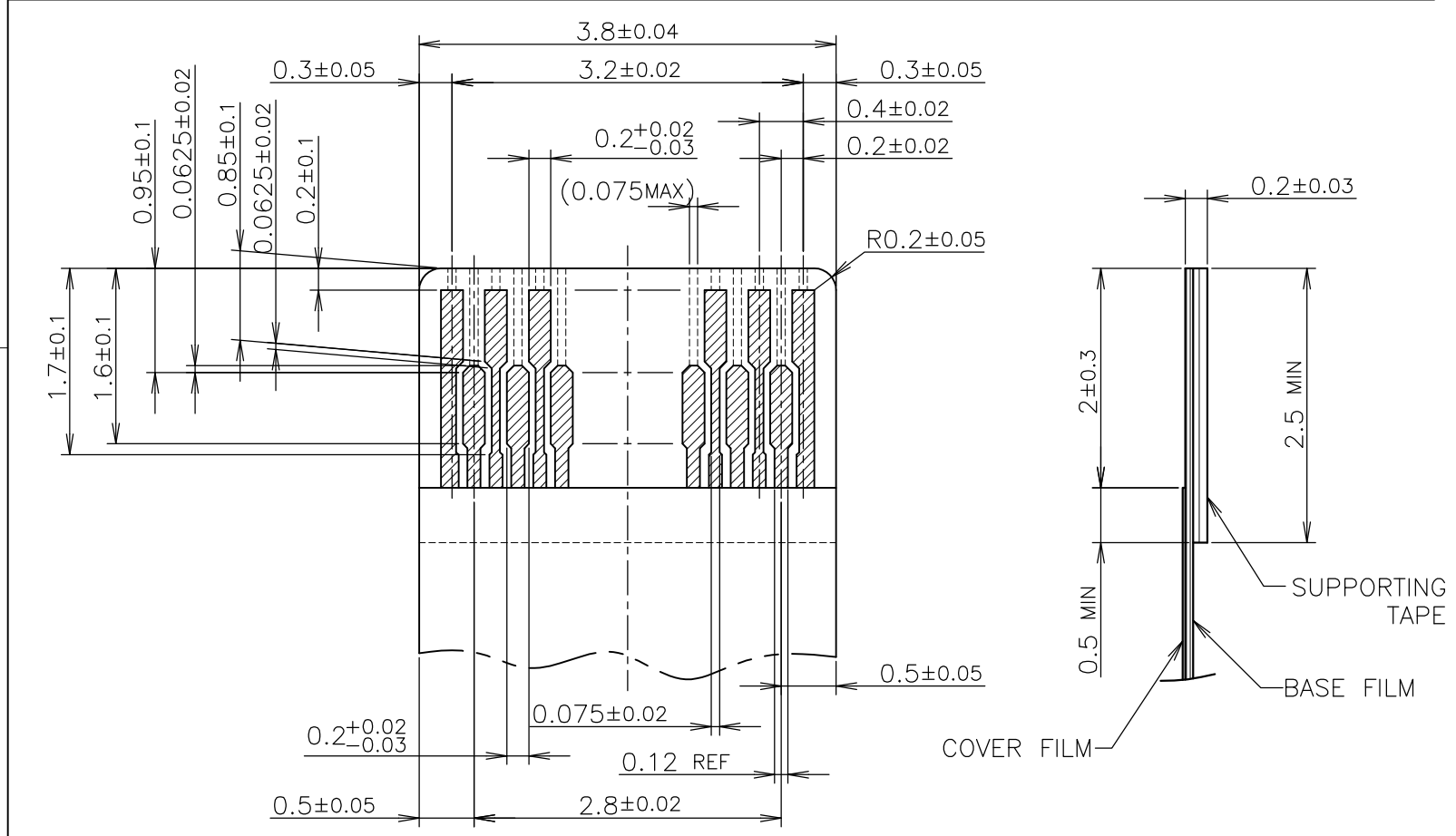
THIS DRAWING IS A CONTROLLED DOCUMENT.

DIMENSIONS: 単位： 耗 mm	TOLERANCES UNLESS OTHERWISE SPECIFIED: 一般公差	DWN Y.KODAIRA 07APR2011	TE Connectivity ON TAPING EMBOSS 0.2mm CONNECTOR FLIP LOCK TYPE HEIGHT 0.9mm FRONT FLIP TYPE
	0 PLC ± 1 PLC ± 2 PLC ± 3 PLC ± 4 PLC ± ANGLES ±	CHK K.YAMAGUCHI 07APR2011	
		APVD S.KAJINUMA 07APR2011	
		NAME S.KAJINUMA	
MATERIAL 材料	FINISH 仕上	PRODUCT SPEC 製品規格	SIZE A3
		APPLICATION SPEC 取付適用規格	CAGE CODE 00779
		WEIGHT	DRAWING NO 1981522
			RESTRICTED TO
			SCALE 尺度 NTS
			SHEET 1 OF 2
			REV A1

CUSTOMER DRAWING

THIS DRAWING IS UNPUBLISHED. RELEASED FOR PUBLICATION APR ,2011.
 © COPYRIGHT 2011 By Tyco Electronics Japan G.K. ALL RIGHTS RESERVED.

LOC	DIST	REVISIONS			DATE	DWN	APVD
J	/	P	LTR	DESCRIPTION			
		-		SEE SHEET 1	-	-	-



GENERAL TOLERANCE
 一般公差

10 ≥	±0.2
30 ≥ > 10	±0.25
100 ≥ > 30	±0.3
ANGLES: ±3°	

THIS DRAWING IS A CONTROLLED DOCUMENT.		DWN	STE TE Connectivity		
DIMENSIONS: 単位: 耗 mm		CHK			
TOLERANCES UNLESS OTHERWISE SPECIFIED: 一般公差		APVD	NAME 名称		
0 PLC ±		PRODUCT SPEC 製品規格	ON TAPING EMBOSS 0.2mm CONNECTOR		
1 PLC ±		APPLICATION SPEC 取付適用規格	FLIP LOCK TYPE		
2 PLC ±		WEIGHT	SIZE	CAGE CODE	DRAWING NO 番号
3 PLC ±		CUSTOMER DRAWING	A3	00779	G-1981522
4 PLC ±			SCALE 尺度	NTS	SHEET 2 OF 2
ANGLES ±		RESTRICTED TO			
FINISH 仕上					