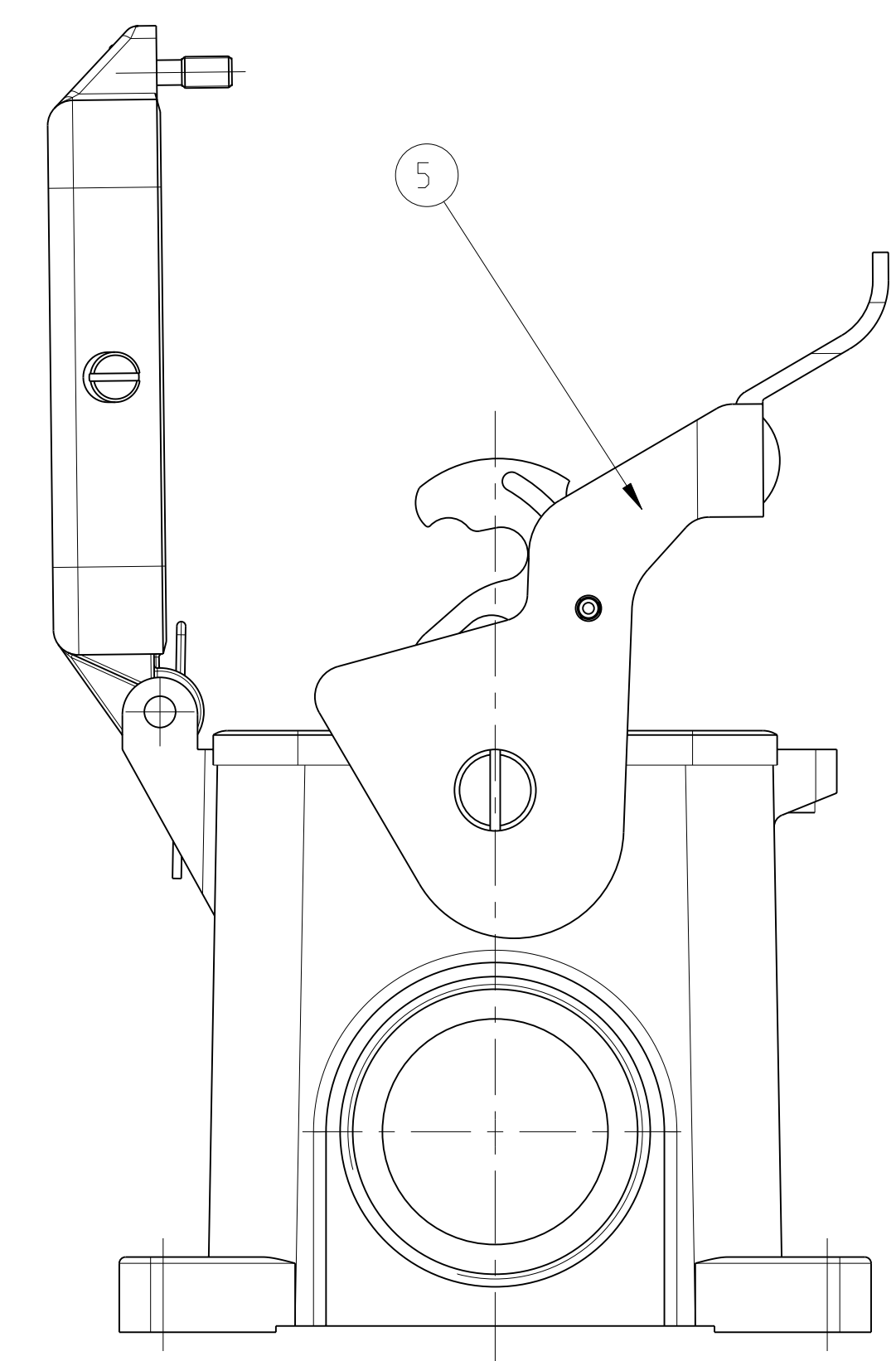
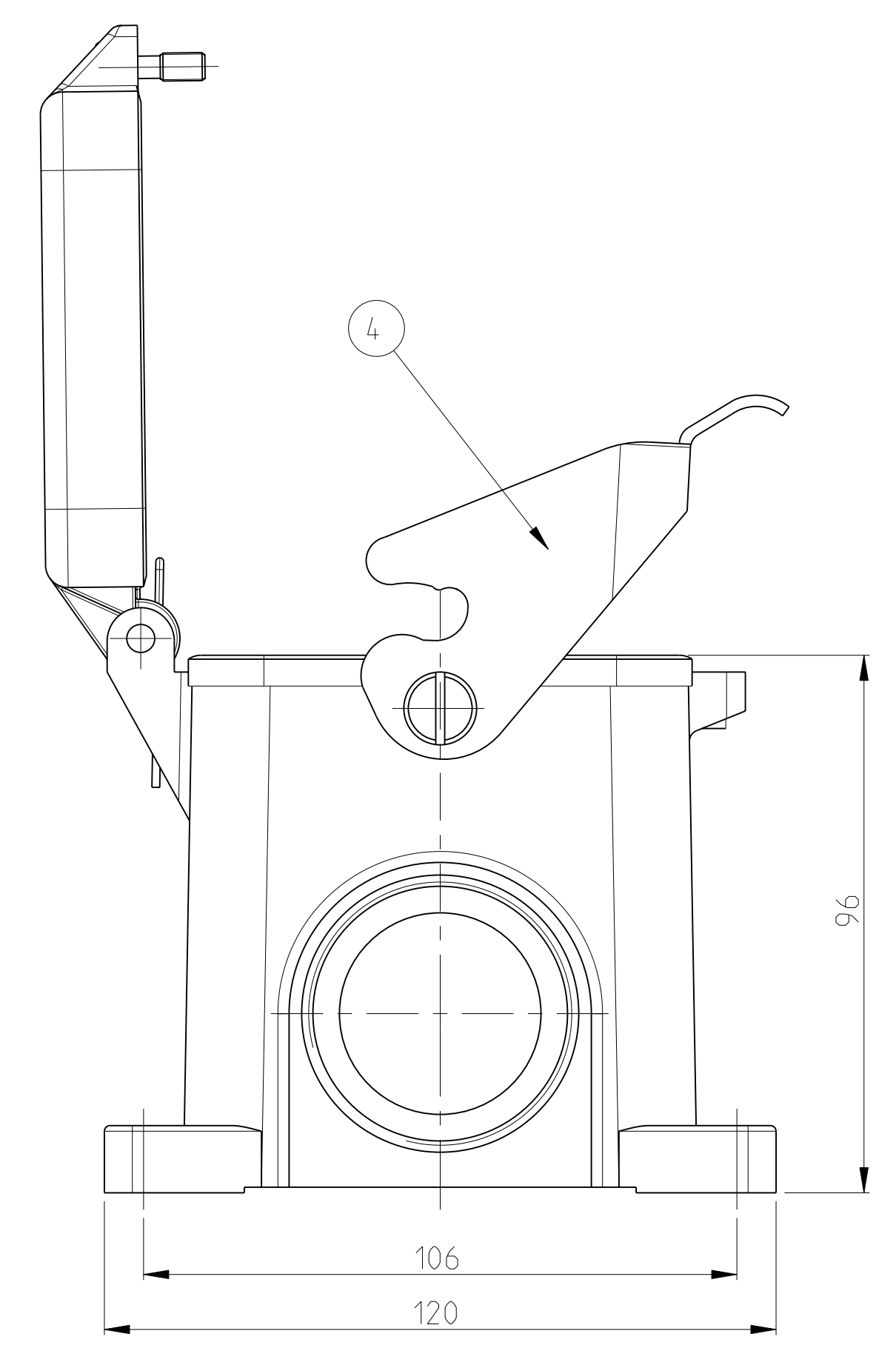
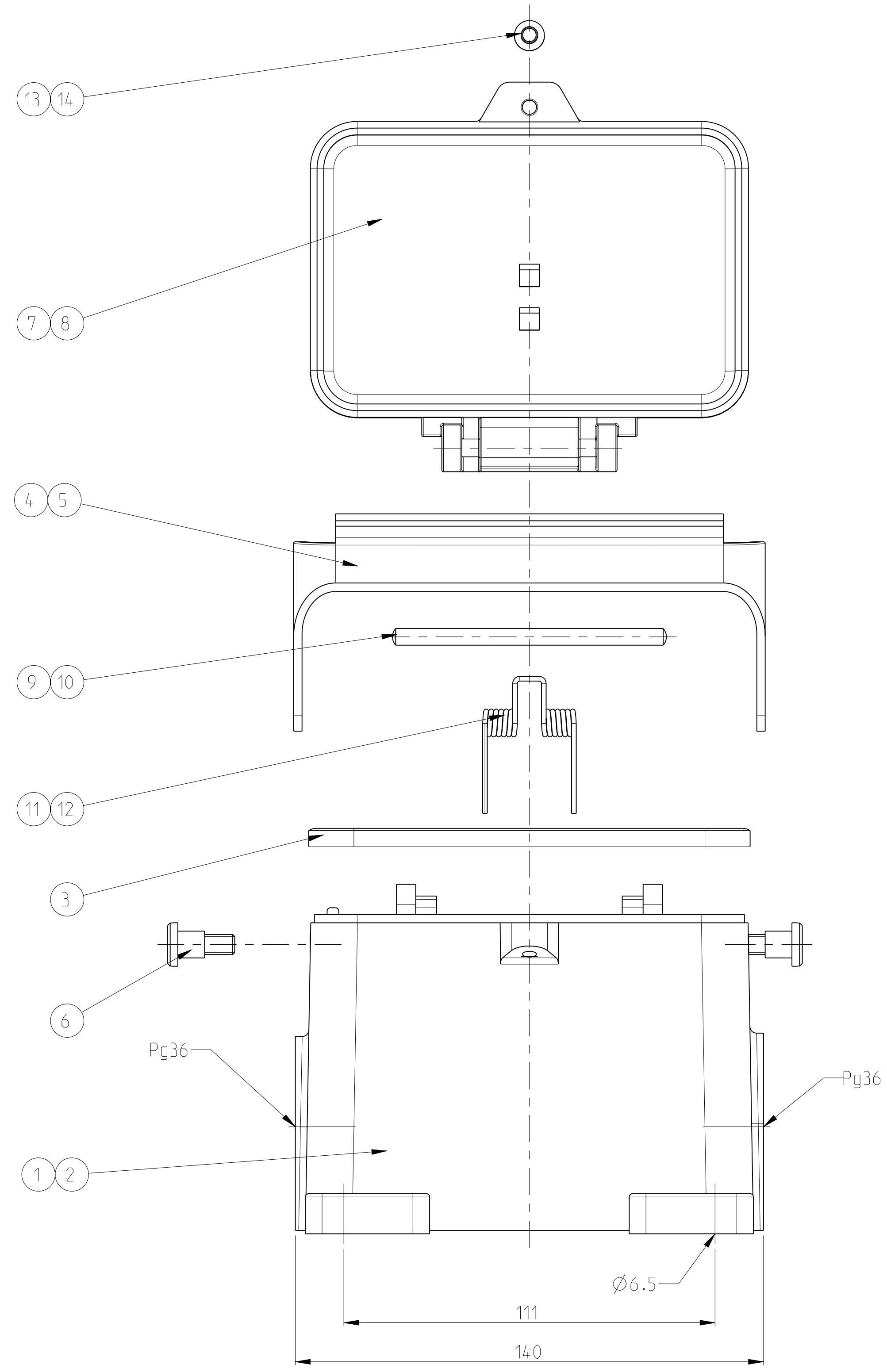


LOC		DIST		REVISIONS			
P	LTB	DESCRIPTION	DATE	DWN	APVD		
A3		NEW PRO-E DRAWING / ECR-09-003111	05MAR2009	SR	AR		



- NOTES
- PART SHALL BE FREE AND CLEAN OF BURRS AND OTHER FOREIGN MATERIAL
  - PACKAGING: QUANTITY 3 PIECES
  - VARNISHING INSIDE HOUSING NOT REQUIRED

QTY	DESCRIPTION	MATERIAL	SURFACE	COLOR	ITEM	NOTES
2	CLIP BOLT	STAINLES STEEL	BLANC		15	
1	CYLINDER SCREW	STAINLES STEEL	BLANC		14	M5x16
1	CYLINDER SCREW	STEEL	ZINC PLATED	BLUE	13	M5x16
1	LEG SPRING	STAINLES STEEL	BLANC		12	
1	LEG SPRING	STEEL	ZINC PLATED	BLUE	11	
1	RIVET PIN	STAINLES STEEL	BLANC		10	5x80
1	RIVET PIN	STEEL	ZINC PLATED	BLUE	9	5x80
1	COVER	ALUMINIUM	ALUMINIUM OXID	BLACK	8	
1	COVER	ALUMINIUM		GREY	7	
2	SLOTTED PAN HEAD SCREW	STAINLESS STEEL	BLANC		6	M6x8
1	SIDE CLIP	STAINLESS STEEL	BLANC		5	
1	SIDE CLIP	STEEL	ZIC PLATED	BLUE	4	
1	PRPOFIL SEAL	NEOPRENE		BLACK	3	
1	SURFACE MOUNTED HOUSING SIDE ENTRY	ALUMINIUM	ALUMINIUM OXID	BLACK	2	
1	SURFACE MOUNTED HOUSING SIDE ENTRY	ALUMINIUM		GREY	1	
2-2	DESCRIPTION	MATERIAL	SURFACE	COLOR	ITEM	NOTES
	HB.48.SGD-LB.2.36.Z					
	HB-K.48.SGD-LB.2.36.Z					

DIMENSIONS: mm 		TOLERANCES UNLESS OTHERWISE SPECIFIED: 0 PLC ± 1 PLC ± 2 PLC ± 3 PLC ± 4 PLC ± ANGLES ±° FINISH -		DWN R.SCHNEIDER 03FEB2009 CHY T.SCHNURPEL 03FEB2009 APVD - PRODUCT SPEC - APPLICATION SPEC - WEIGHT - CUSTOMER DRAWING		Tyco Electronics AMP GmbH 53757 Saint-Augustin (Germany) NAME SURFACE MOUNTED HOUSING SIDE ENTRY HB.48.SGD-LB.2.36.Z SIZE CAGE CODE DRAWING NO RESTRICTED TO A   00779 C=1107007 SCALE 5:1 SHEET 1 OF 1 REV A3	
-----------------------	--	--	--	--	--	--	--