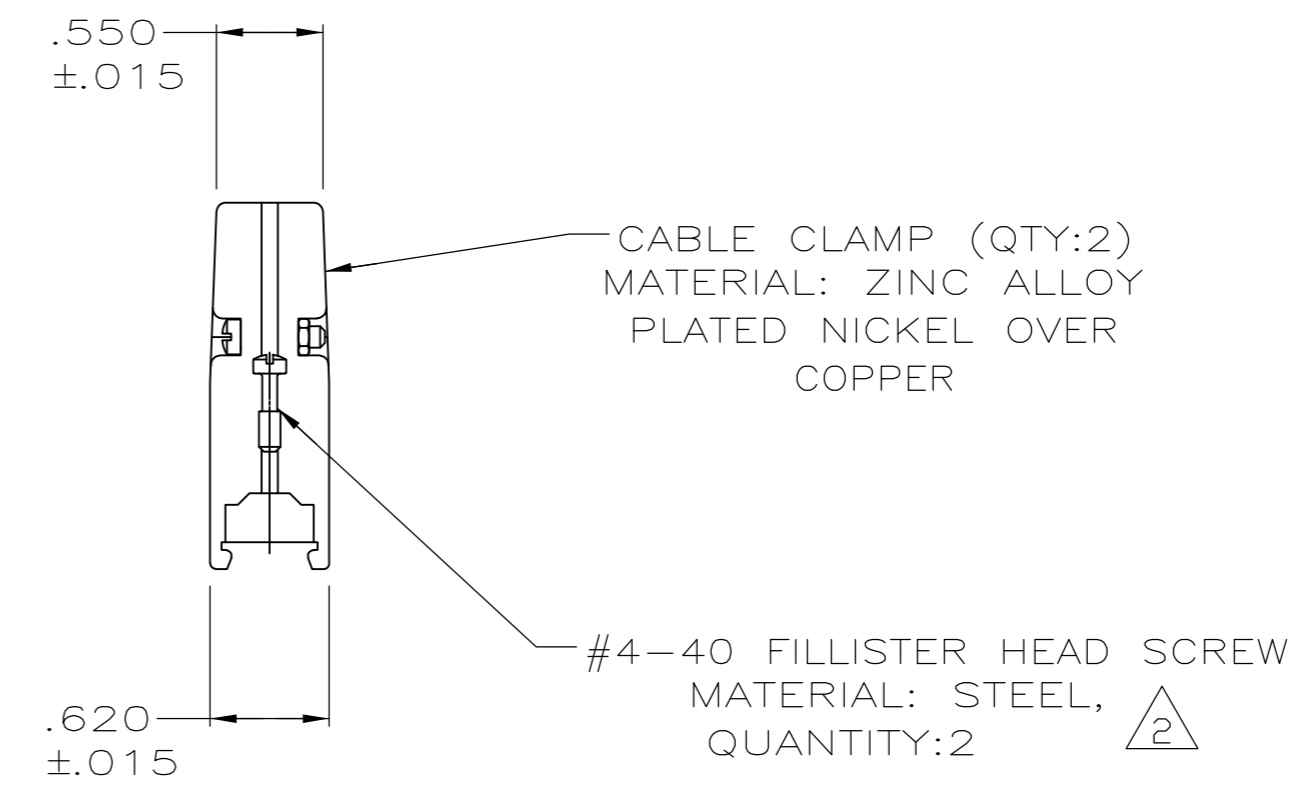
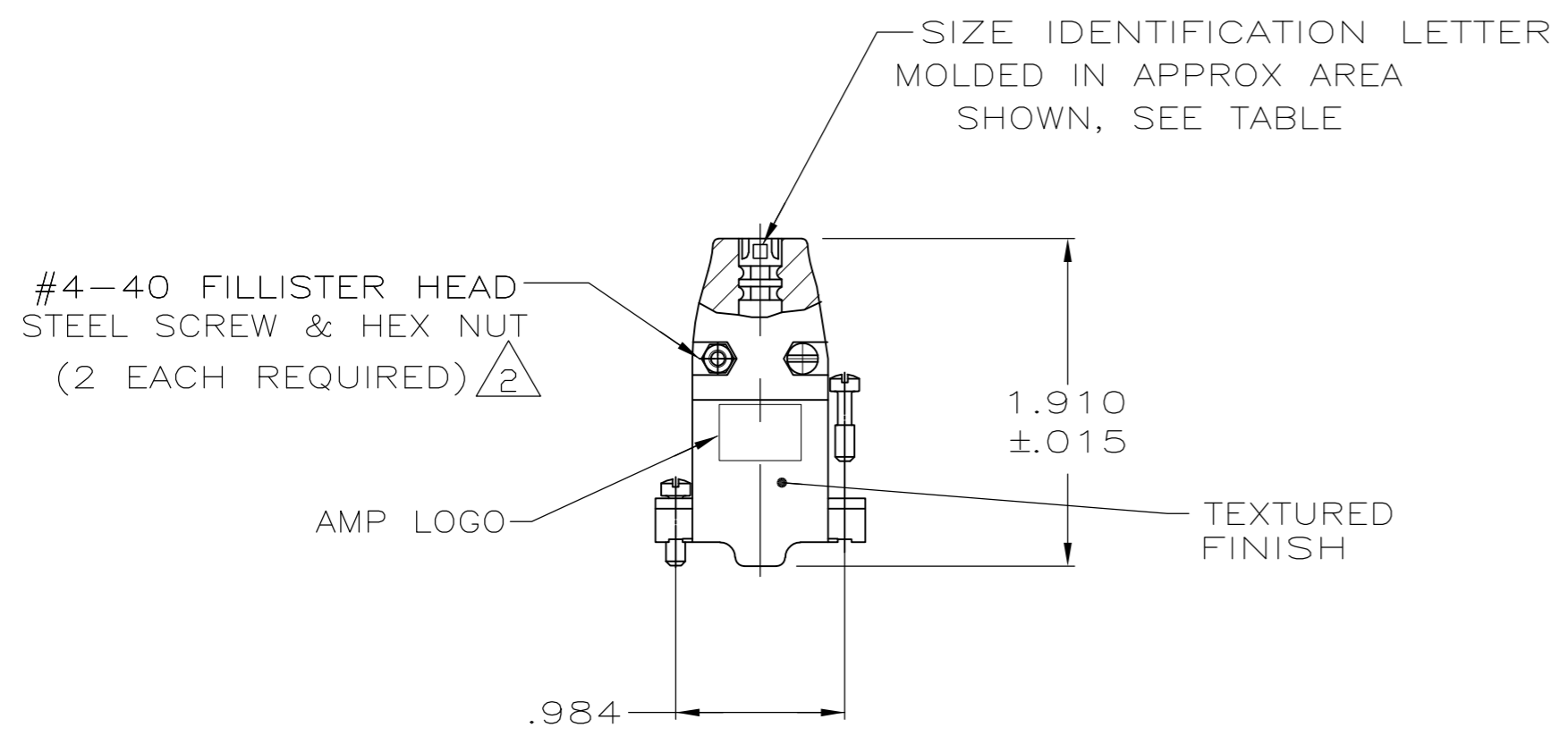
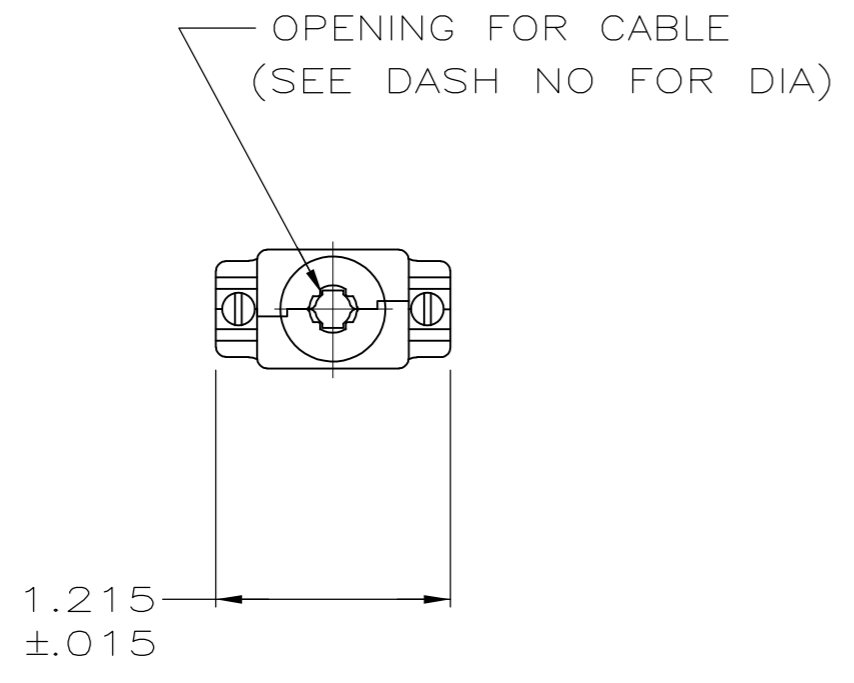


THIS DRAWING IS UNPUBLISHED. RELEASED FOR PUBLICATION
 © COPYRIGHT - By - ALL RIGHTS RESERVED.

LOC	DIST	REVISIONS			
P	LTR	DESCRIPTION	DATE	DWN	APVD
GP	00	P			
		P	REVISED PER ECO-11-005033	23MAR11	RK HMR

- 1. PARTS PACKAGED UNASSEMBLED.
- △2 ZINC PLATED .000200-.000400 THICK, CLEAR CHROMATE COATING.



H	.370	5745171-5
A	.200	5745171-2
C	.250	5745171-1
NECK IDENT	CABLE DIA	PART NO

**COPYRIGHT 2005
 TE CONNECTIVITY
 ALL RIGHTS RESERVED**

THIS DRAWING IS A CONTROLLED DOCUMENT.		DWN B. MCMASTER 28JULY05	TE TE Connectivity	
DIMENSIONS: INCHES		CHK C. ROHDE 28JULY05		
TOLERANCES UNLESS OTHERWISE SPECIFIED:		APVD M. WALMSLEY 28JULY05	NAME CABLE CLAMP KIT, UNASSEMBLED, SIZE 1, 9 POSN, 180 DEGREES, AMPLIMITE	
0 PLC ± -		PRODUCT SPEC	SIZE CAGE CODE DRAWING NO RESTRICTED TO	
1 PLC ± -		APPLICATION SPEC	A2 00779 C=5745171 -	
2 PLC ± -		WEIGHT	SCALE 1:1 SHEET 1 of 1 REV P	
3 PLC ± .005		CUSTOMER DRAWING		
4 PLC ± -				
ANGLES ± -				
FINISH				
SEE CALLOUTS				