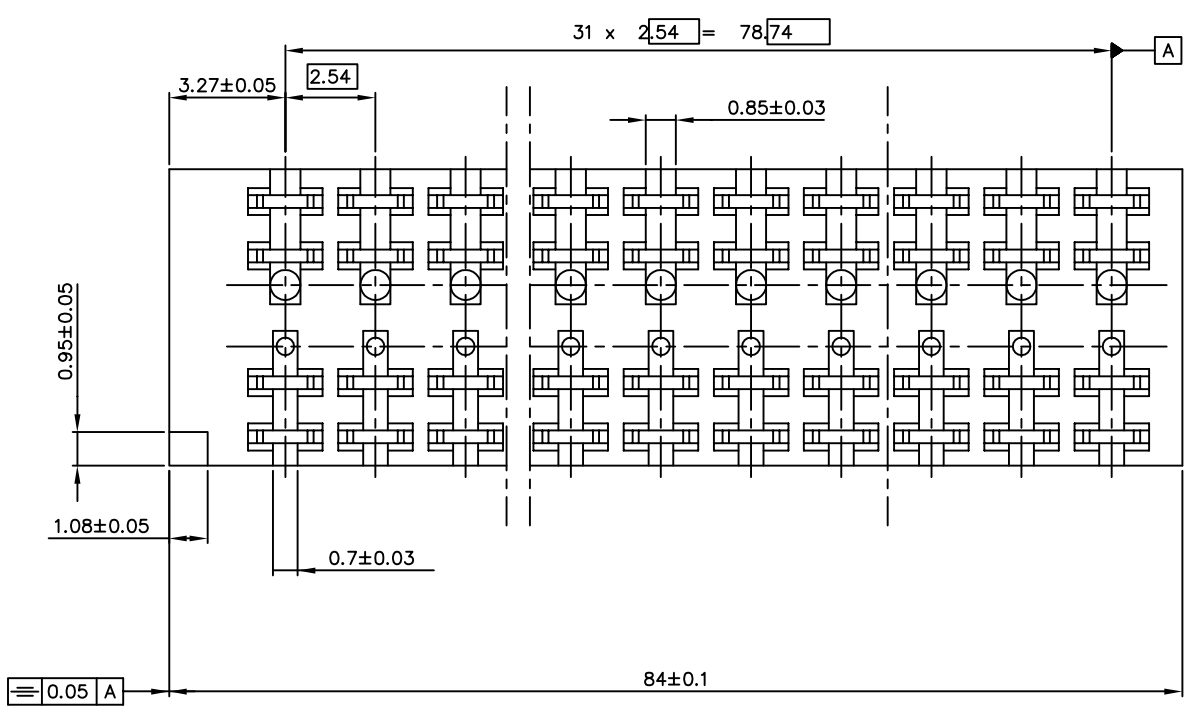
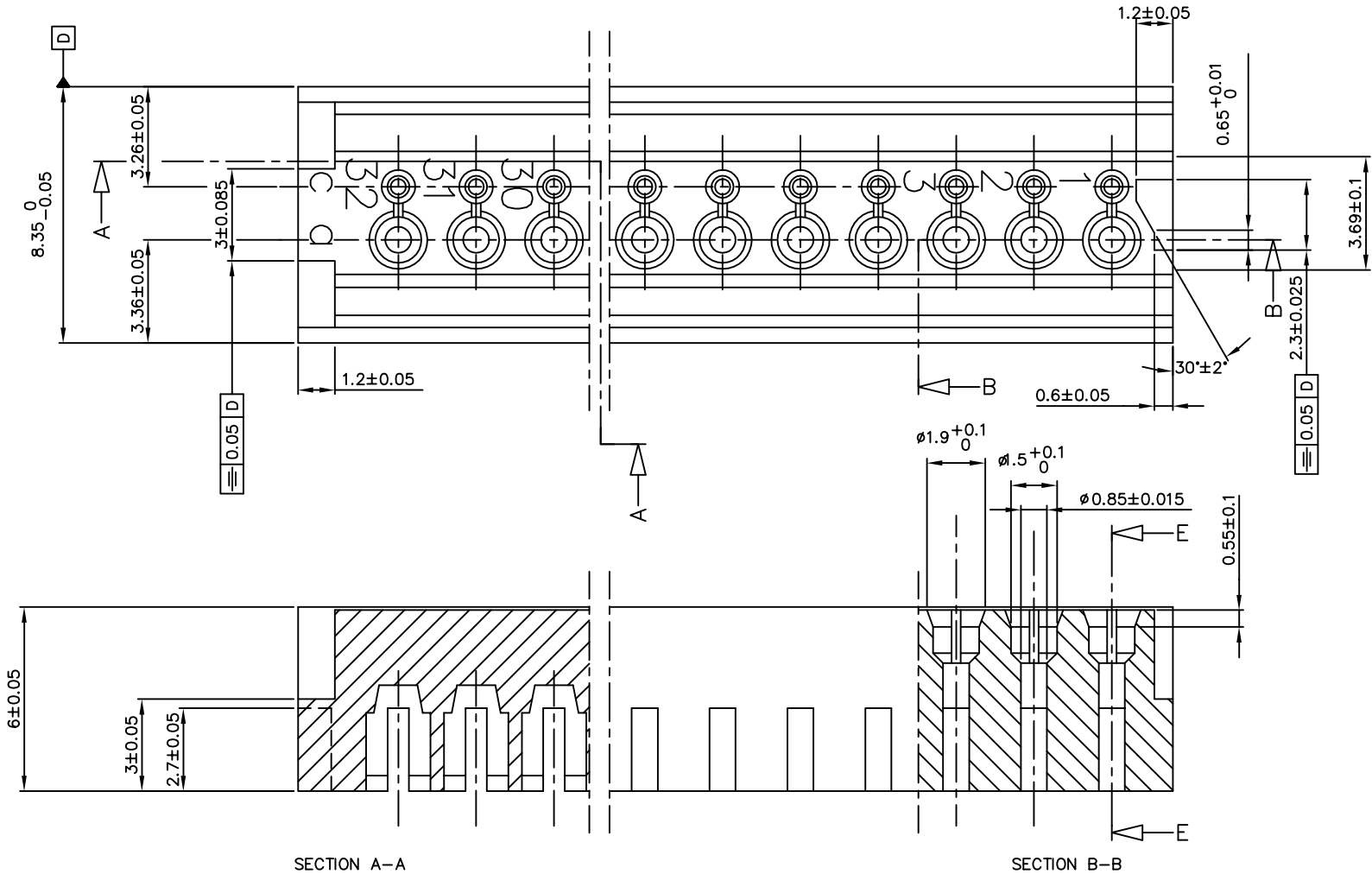


PRODUCT NUMBER 70034-001

MATERIAL: THERMOPLASTIC POLYESTER, 30% GLASS FILLED.
 COLOUR: GREY
 FLAME RETARDANT PER UL-94-V0.



- NOTES:-
1. THIS PRODUCT MEETS EUROPEAN UNION DIRECTIVES AND OTHER COUNTRY REGULATIONS AS DESCRIBED IN GS-22-008.
 2. LEADFREE OR RoHS DIRECTIVE LABELLING TO BE PROVIDED AS PER GS-14-920.
 3. " LF " SUFFIX TO PRODUCT NUMBER FOR RoHS COMPATIBLE/ LEADFREE VERSION.
 4. PARTS WITH AND WITHOUT "LF " SUFFIX ARE FORM-FIT AND FUNCTIONALLY IDENTICAL. " LF " SUFFIX PROVIDED FOR PART NUMBER STANDARDISATION OF PART THAT MEETS RoHS REQUIREMENTS.

mat'l. code		surface		tolerance		projection		product family	
SEE NOTE		ISO 1302		ISO 406 ISO 1101		mm		BACKPANEL	
ltr	ecn no	dr	date	tolerances unless otherwise specified		mm		title	
B	H20708	MVI	1992-11-03	angles	linear	mm		BP 3-ROW COAX	
C	F00406	LLA	2000-05-22			scale -		CBL PIERCE BLOCK	
D	I05-0123	MINI	2005-07-27						
E	I05-0248	MINI	2005-11-22	dr	D.LEGRAND	2000-10-10		dwg no	
F	I06-0082	MINI	2006-06-01	enr	J.F.NOTTEAU	2000-10-10		sheet 1 of 1	
				chr	RAKHEE GEORGE	2006-06-01		70034	
				appd	RAKHEE GEORGE	2006-06-01		size	
								A3	
								type	
								Product Customer Drawing	
sheet index	revision	F							
	sheet	1							