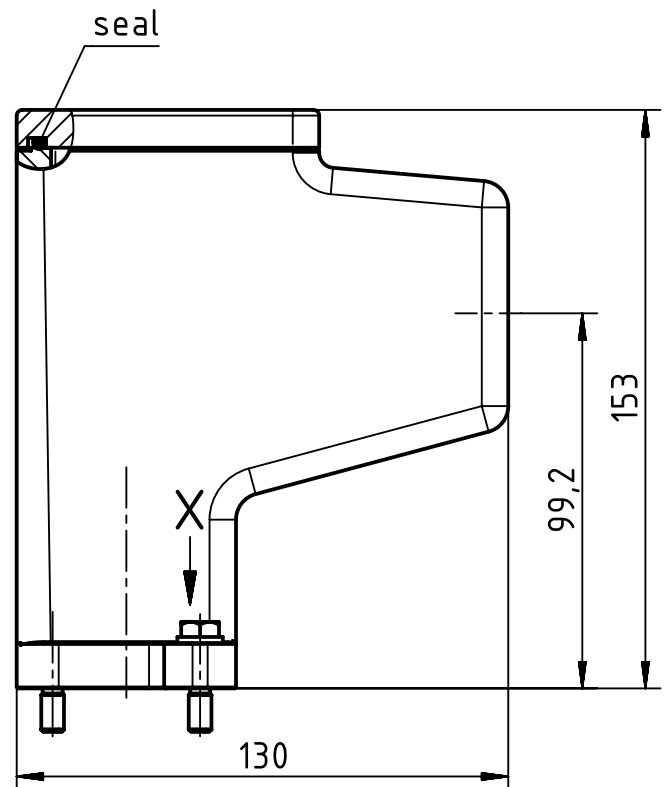
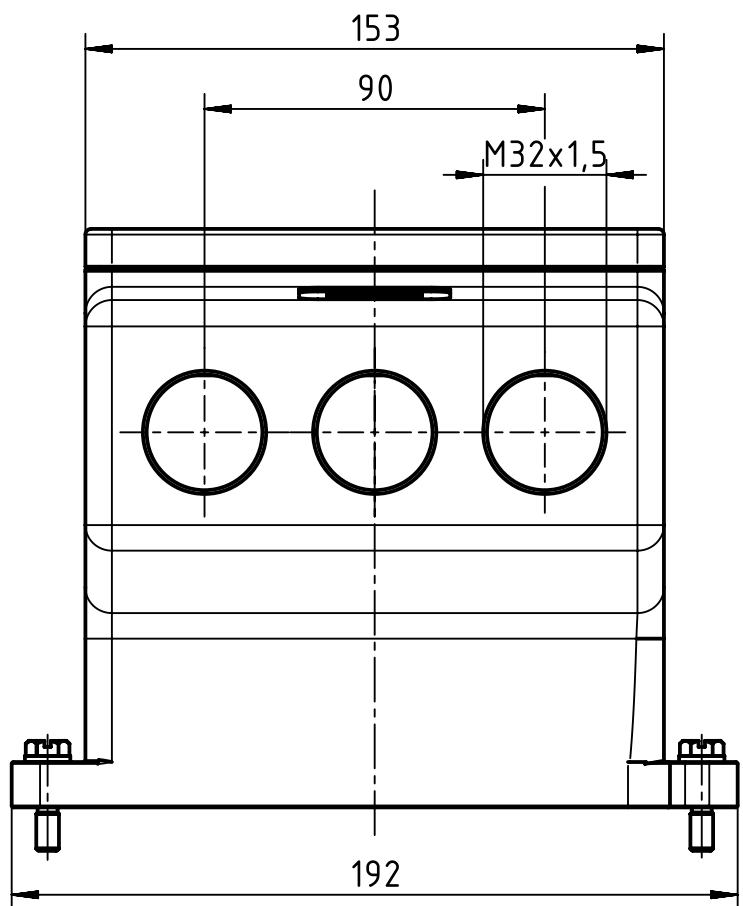


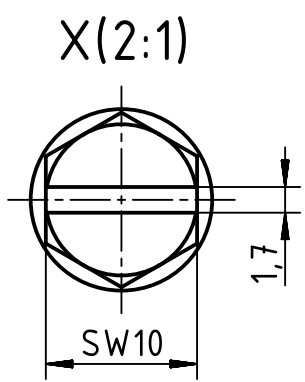
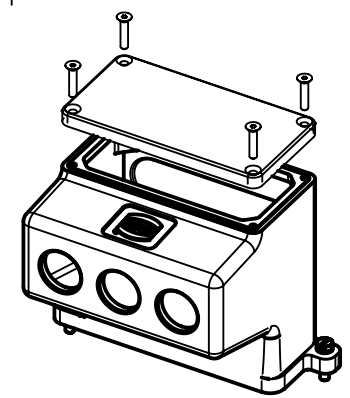
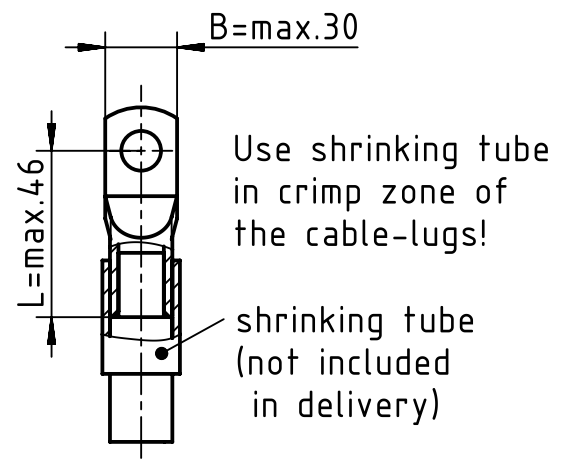
A
B
C
D



Technical characteristics
acc. to DIN EN 50124-1:

Rated insulation voltage: 2.3 kV
Overvoltage category: OV2
Pollution degree: PD3

Max. length and width of
cable-lugs (not included in
delivery)



Cover and countersunk-head screws are enclosed separately.

	All Dimensions in mm Original Size DIN A4		Scale 1:2	Free size tol.		Ref.		
	All rights reserved Department EL PD - DE		Created by HARLASSK	Inspected by TIEMANNA	Standardisation SCHMIDTM	Date 2013-11-25	State Final Release	
HARTING Electric GmbH & Co. KG D-32339 Espelkamp			Title Han 24HPR-gw3-SV-M32			Doc-Key / ECM-Nr. 100191976/UGD/003/A 500000068878		
			Type TB	Number 19 40 024 0652			Rev. A	Page 1/1