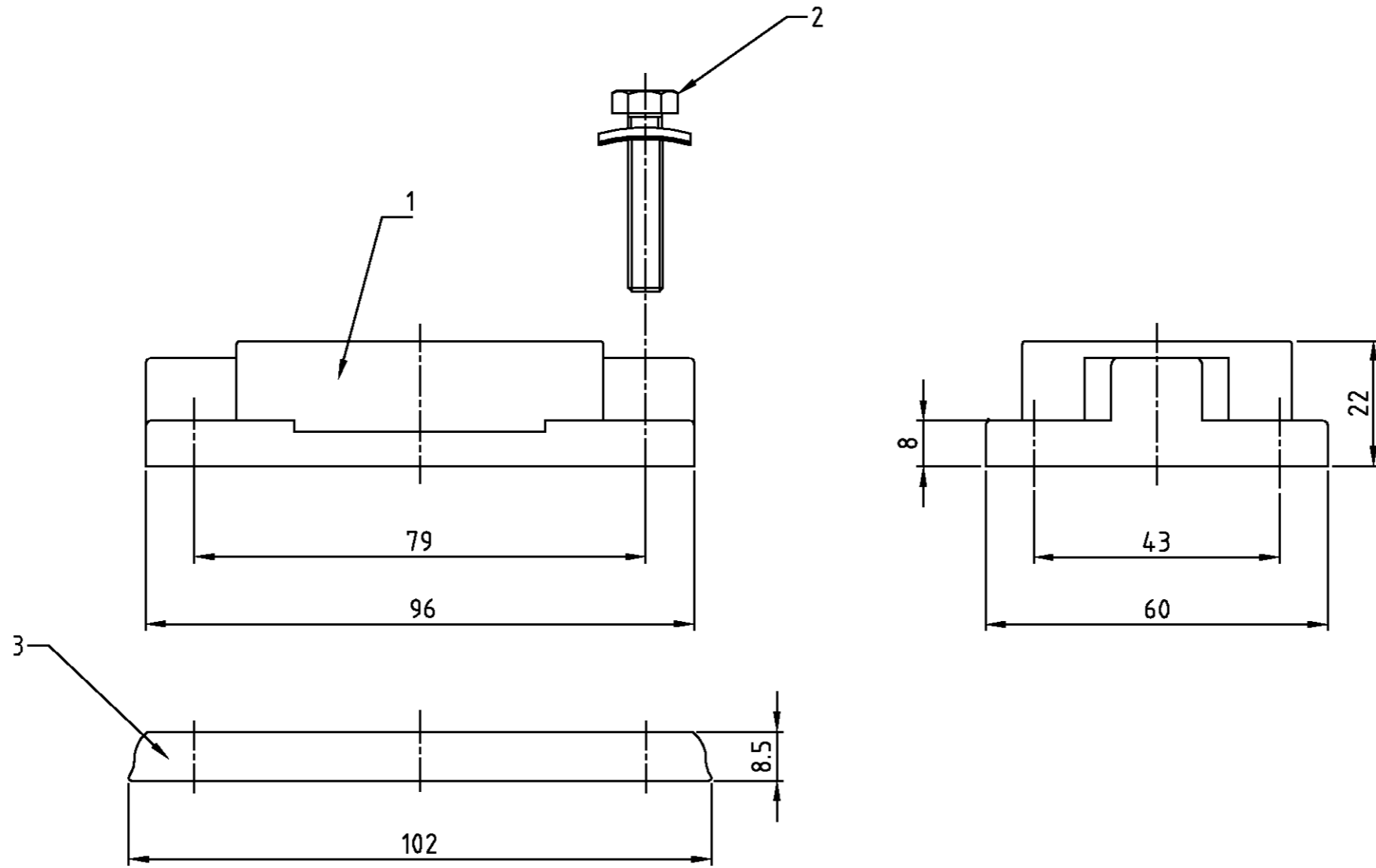


DWG NO. 1102608

THIS DRAWING IS A CONTROLLED DOCUMENT FOR AMP INCORPORATED. IT IS SUBJECT TO CHANGE AND THE CONTROLLING ENGINEERING ORGANIZATION SHOULD BE CONTACTED FOR THE LATEST REVISION.

DESS ZEICHNUNGSDOKUMENT WIRD DURCH AMP INCORPORATED KONTROLLIERT. AENDERUNGEN, DIE DEN TECHNISCHEN FORTSCHRITT BEZIEHEN, SIND VORBEHALTEN. DEN JEWEILIG LETZTMALIGEN ANDECKUNGSSTAND ERFAHREN SIE AUF ANFRAGE.

THIS INFORMATION IS CONFIDENTIAL AND IS DISCLOSED TO YOU ON CONDITION THAT NO FURTHER DISCLOSURE IS MADE BY YOU TO OTHER THAN AMP PERSONNEL WITHOUT WRITTEN AUTHORIZATION FROM AMP INCORPORATED. B - GROSS LÄNDEN



△ Verpackung
 Faltkarton PN 0-1243099-2
 Karton - Gefache PN 0-1243130-1
 Verpackungsmenge 5 Stück

△ Packaging
 Polding carton PN 0-1243099-2
 Carton - insert PN 0-1243130-1
 Packaging qantity 5 Stück

1	0-1110439-1	Flanschdichtung /flanged seal	Neoprene	-	black/schwarz	3	Bg3
4	0-1110600-1	Dichtschraube mit U-Scheibe/ close screw with u-pane	V2A/stainless steel	-	-	2	M6x30 / in Polybeutel
1	0-1110749-7	Anbaugehäuse HIP-K7/ surface mounted housing bottom entry	aluminium/ALU	Aluminium oxid	black/schwarz	1	neutral
2-5	AMP PART NO	DESCRIPTION / BENENNUNG	MATERIAL	SURFACE / OBERFLÄCHE	COLOR / FARBE	ITEM NO. Pos.	NOTES / BEMERKUNGEN

ORDERING TEXT / BESTELTEXT

HIP-K.6/16.AG.M6.D

Verpackung △ Packaging

DWN	19.11.02	MATERIAL	HEAT TREAT
Schneider		△ 1	△ 2
CHK	19.11.02	AMP HTS Elektrotechnik 53819 Neunkirchen, Germany	
Schweiger			
APVD	-	NAME	
Surface Mounted Housing Bottom Entry Anbaugehäuse Assy HIP-K.6/16.AG.M6.D			

LOC	A5	Zeichnung ist activ drawing ist activ	EGD0-0090-03	21.08.03	SR	SM
P	LTR	REVISION RECORD		DATE	DWN	APVD

DIMENSIONS: mm

TOLERANCES UNLESS OTHERWISE SPECIFIED:
 n. ISO 8015
 n. ISO 2768 - mH - E
 n. DIN 16901 - 120

0 PLC *
 1 PLC *
 2 PLC *
 3 PLC *
 4 PLC *

ANGLES:

SURFACE TEXTURE:

SCALE	SIZE	DRAWING NO.	SHEET	REV.
1:1	A3	1102608	1 OF 1	A5