

PART NAME: KNOB

SCALE: 1:1

DATE: 11/18/93 DR. BY HD

THIS DRAWING IS THE PROPERTY OF DAVIES MOLDING COMPANY, IS SUBMITTED SOLELY AS A DESIGN OR ENGINEERING PROJECT. WE ACCEPT NO RESPONSIBILITY WHATSOEVER FOR THE PRACTICAL APPLICATION OF THE PIECES MADE TO THIS DESIGN.

DESIGNERS & MANUFACTURERS
OF KNOBS, HANDLES, CASES &
CUSTOM PLASTIC COMPONENTS

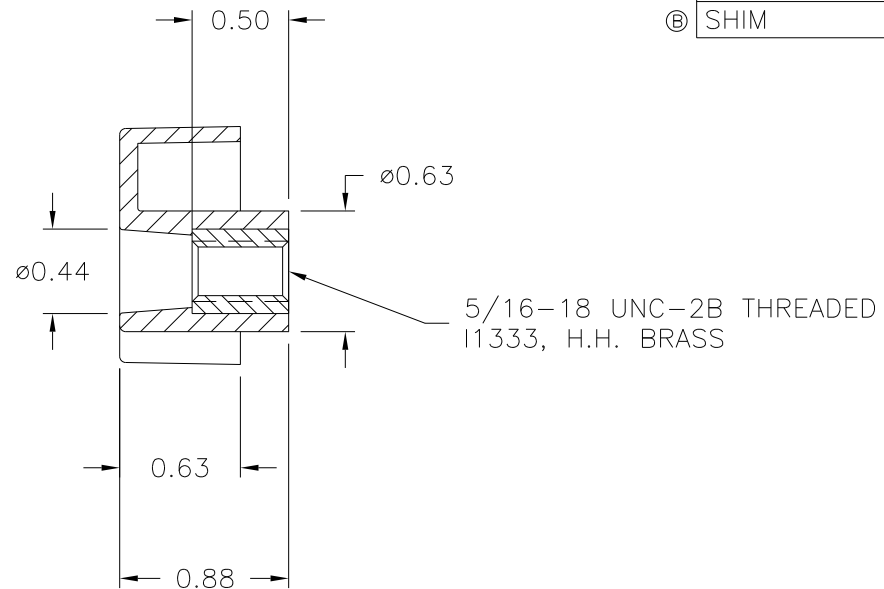
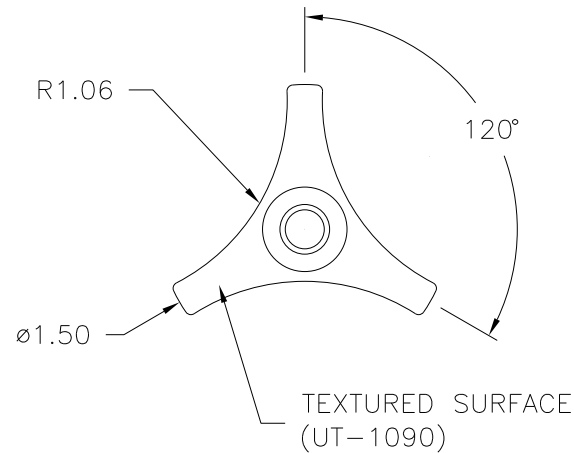
P/N 3036-H

M^{NO.} 38

CAVITY	3036
CORE	3036
CAVITY PLUG	3036-H1
SLEEVE	2780
PIN	3036-H
Ⓐ SHIMS	.306+.241+.015
INSERT	I1333

M ^{NO.}	38 #2
PLATE	0.548
Ⓑ SHIM	0.030

S.O.# 17402

MATERIAL: 20% TALC-FILLED POLYPROPYLENE (BC9)
COLOR: BLACK

TOLERANCES: UNLESS OTHERWISE SPECIFIED	DO NOT SCALE DRAWING	B	CORRECTED SHIM	TS	8/29/02
		A	ADDED 0.015 SHIM	JAM	6/5/00
DECIMALS: X.XXX ± .005 X.XX ± .015	MM: X.XX ± 0.15MM X.X ± 0.4MM	-	REDRAWN	TL	11/18/99
FRACTIONS ± 1/64	ANG. ± 1°	CHANGES			