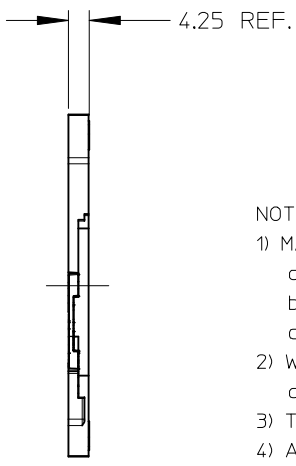
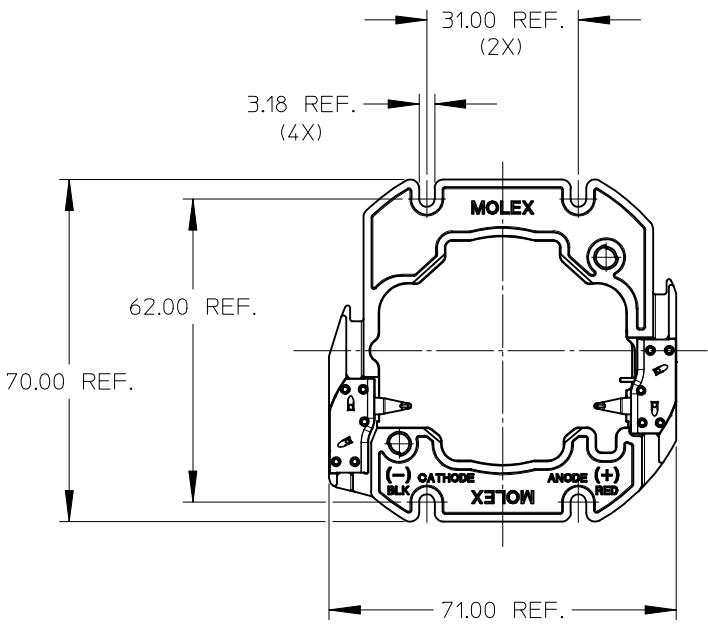
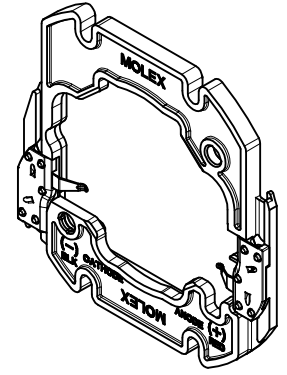
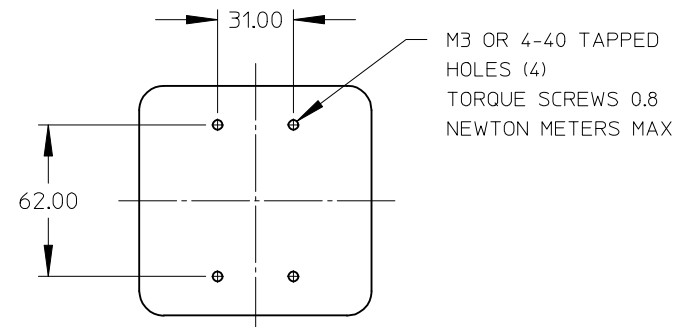


10	9	8	7	6	5	4	3	2	1
PART NUMBER	DESCRIPTION	SEE SHEET	STATUS						
180180-0000	HOLDER WITHOUT LENS	3	TOOLED						
180180-0001	HOLDER WITH LENS	3	NOT TOOLED						
180182-0000	COVER LENS ONLY	3	NOT TOOLED						
N/A	REFLECTOR OPTION (LEDIL)	4	AVAILABLE THRU LEDIL						



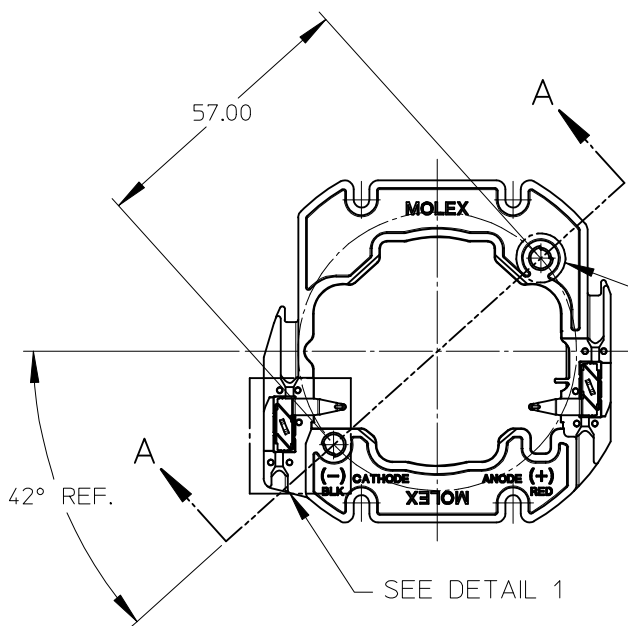
- NOTES:
- MATERIALS:
    - CAPS: NATURAL COLOR PA66 NYLON 25% GF UL94V-0
    - HOUSING: NATURAL COLOR PA66 NYLON 25% GF UL94V-0
    - COVER LENS: CLEAR POLYCARBONATE UL 94HB
  - WIRE TRAP TERMINALS: COPPER ALLOY
    - FINISH: SILVER OVER NICKEL
  - THIS PRODUCT IS ELV AND ROHS COMPLIANT
  - APPLICABLE WIRE GAUGE - 18 OR 20 AWG
    - SOLID WIRE IS RECOMMENDED
    - IF STRANDED WIRE IS USED, PRE-TINNED IS RECOMMENDED
    - 1 cm STRIP LENGTH IS RECOMMENDED
  - MOUNT HOLDER USING M3 OR 4-40 SCREWS (4), 0.8 NEWTON METERS MAX TORQUE
  - CONTACT AREA OF TERMINAL HAS AN ENVIRONMENTAL BARRIER/LUBRICANT FOR CORROSION RESISTANCE



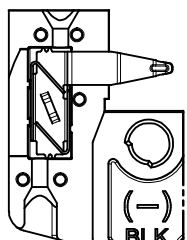
RECOMMENDED MOUNTING DIMENSIONS (NTS)

<b>ENTER DESCRIPTION</b> EC NO: SSL2013-0052 DRAWN: CCARRANZA 2012/10/22 CHKD: CCARRANZA 2012/11/06 APPR: DMCGOWAN 2012/11/06	<b>QUALITY SYMBOLS</b> F/0 F/0 F/0	<b>GENERAL TOLERANCES (UNLESS SPECIFIED)</b>		<b>DIMENSION STYLE</b> <b>MM ONLY</b>		<b>SCALE</b> 1:1	<b>DESIGN UNITS</b> METRIC	<b>THIRD ANGLE PROJECTION</b>		
		4 PLACES	± ---	± ---	DRAWN BY	DATE	<b>TITLE</b> BRIDGELUX RS LED HOLDER			
		3 PLACES	± ---	± ---	CARRANZA	2010/10/26				
		2 PLACES	± 0.13	± ---	CARRANZA	2012/11/06	<b>MOLEX INCORPORATED</b>			
1 PLACE	± 0.25	± ---	DMCGOWAN	2010/12/23						
ANGULAR ±1/2°		DRAFT WHERE APPLICABLE MUST REMAIN WITHIN DIMENSIONS		<b>SEE CHART</b>		MATERIAL NO.	DOCUMENT NO. SD-180180-000	SHEET NO. 1 OF 4		

WIRE TRAP CAPS ARE REMOVED FROM FRONT VIEW FOR CLARITY



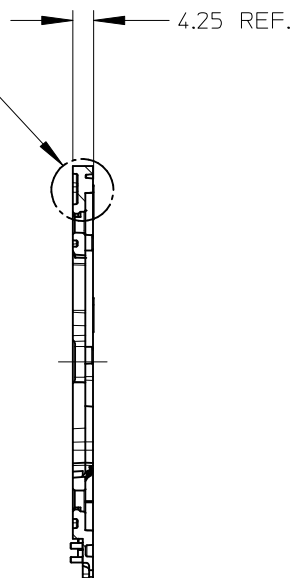
SEE DETAIL 3  
SEE DETAIL 2



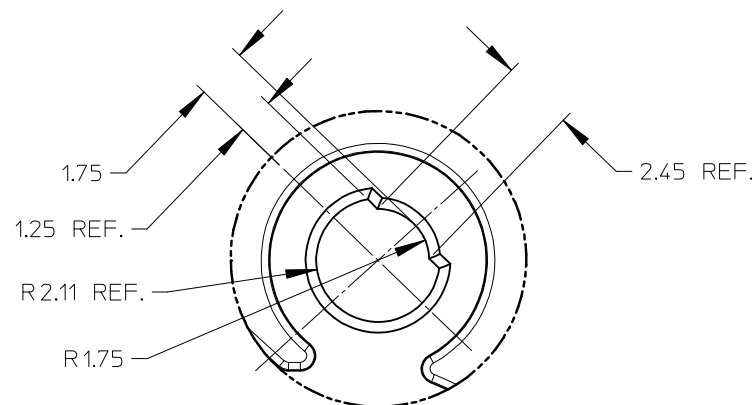
VIEW OF TWO-WAY WIRE TRAP

WIRE TRAPS WILL ACCOMODATE  
EITHER 18 OR 20 GAUGE WIRE

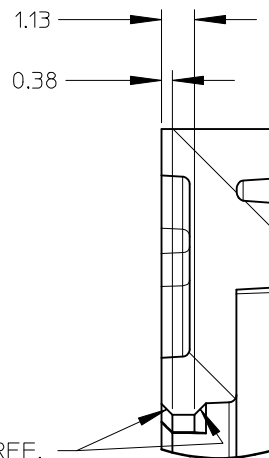
DETAIL 1 SCALE 2:1



SECTION A-A  
SCALE 1:1



DETAIL 2 SCALE 6:1

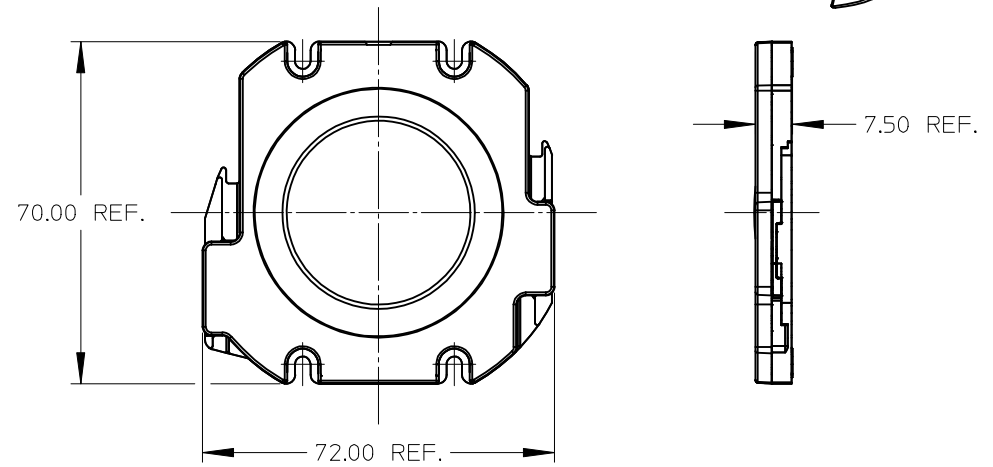
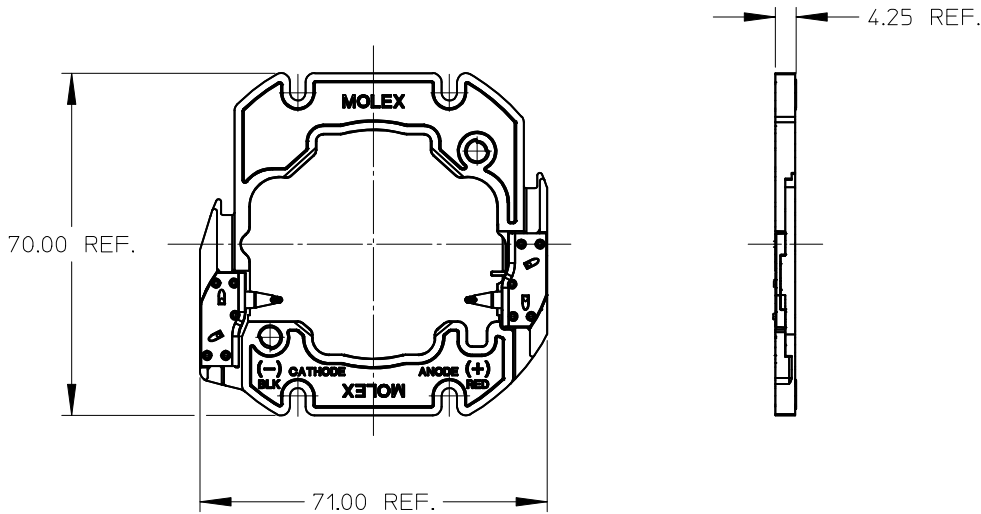
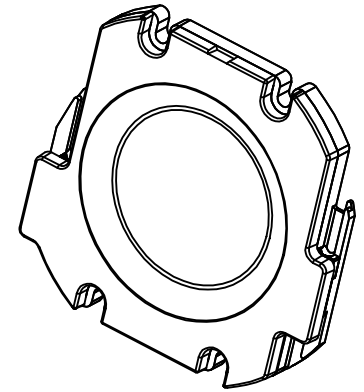
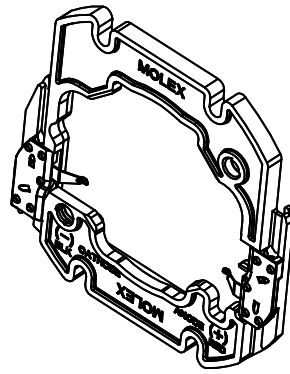


45° CHAMFER REF.

DETAIL 3 SCALE 6:1

<b>ENTER DESCRIPTION</b> EC NO: SSL2013-0052 DRWN: CCARRANZA 2012/10/22 CHKD: CCARRANZA 2012/11/06 APPR: DMCGOWAN 2012/11/06	<b>QUALITY SYMBOLS</b> ▽/0 ▽/0 ▽/0	<b>GENERAL TOLERANCES (UNLESS SPECIFIED)</b>		<b>DIMENSION STYLE</b> MM ONLY		SCALE 2:1	DESIGN UNITS METRIC	THIRD ANGLE PROJECTION		
			mm	INCH	DRAWN BY	DATE	BRIDGELUX RS LED HOLDER			
		4 PLACES	± ---	± ---	CCARRANZA	2010/10/26				
		3 PLACES	± ---	± ---	CHECKED BY	DATE	MOLEX INCORPORATED			
2 PLACES	± 0.13	± ---	CCARRANZA	2012/11/06						
1 PLACE	± 0.25	± ---	APPROVED BY	DATE	MATERIAL NO.		DOCUMENT NO.		SHEET NO.	
			ANGULAR ±1/2°		DMCGOWAN	2010/12/23	SD-180180-000		2 OF 4	
DRAFT WHERE APPLICABLE MUST REMAIN WITHIN DIMENSIONS		SEE CHART		THIS DRAWING CONTAINS INFORMATION THAT IS PROPRIETARY TO MOLEX INCORPORATED AND SHOULD NOT BE USED WITHOUT WRITTEN PERMISSION						
SIZE B										

10 9 8 7 6 5 4 3 2 1



LED HOLDER PART NUMBER 180180-0000

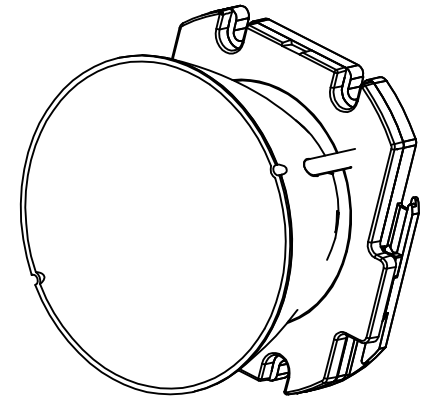
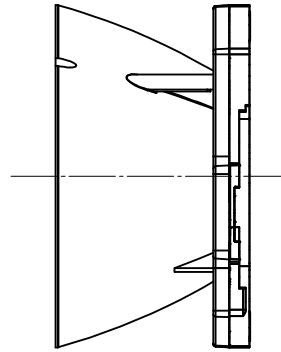
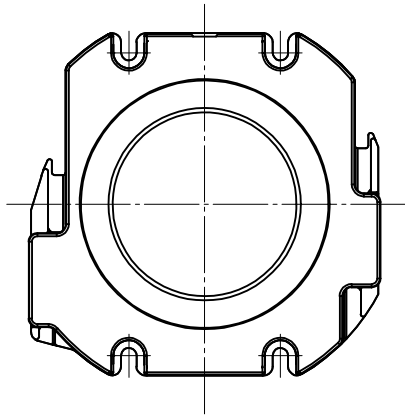
LED HOLDER SHOWN WITH OPTIONAL CLEAR COVER LENS  
 MOLEX INDIVIDUAL COVER LENS PART NUMBER 180182-0000  
 HOLDER AND LENS ASSEMBLY PART NUMBER 180180-0001

ENTER DESCRIPTION EC NO: SSL2013-0052 DRAWN: CCARRANZA 2012/10/22 CHKD: CCARRANZA 2012/11/06 APPR: DMCGOWAN 2012/11/06	QUALITY SYMBOLS ▽/0 ▽/0 ▽/0	GENERAL TOLERANCES (UNLESS SPECIFIED)		DIMENSION STYLE MM ONLY		SCALE 1:1	DESIGN UNITS METRIC	THIRD ANGLE PROJECTION		
		4 PLACES ± --- ± ---	mm INCH	DRAWN BY CCARRANZA	DATE 2010/10/26	TITLE BRIDGELUX RS LED HOLDER				
		3 PLACES ± --- ± ---	2 PLACES ± 0.13 ± ---	CHECKED BY CCARRANZA	DATE 2012/11/06					
		1 PLACE ± 0.25 ± ---	ANGULAR ± 1/2°	APPROVED BY DMCGOWAN	DATE 2010/12/23	MATERIAL NO.	DOCUMENT NO. SD-180180-000	SHEET NO. 3 OF 4		
DRAFT WHERE APPLICABLE MUST REMAIN WITHIN DIMENSIONS	SEE CHART	THIS DRAWING CONTAINS INFORMATION THAT IS PROPRIETARY TO MOLEX INCORPORATED AND SHOULD NOT BE USED WITHOUT WRITTEN PERMISSION								

9 8 7 6 5 4 3 2 1

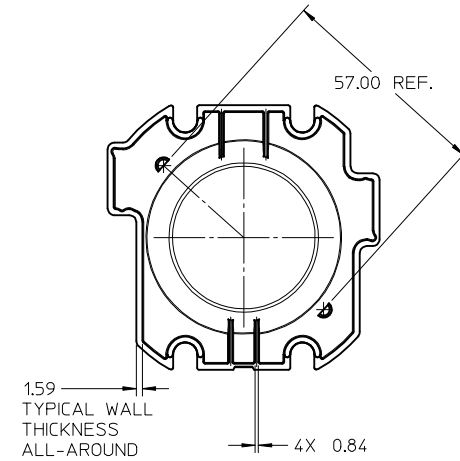
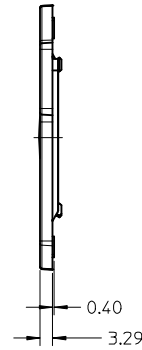
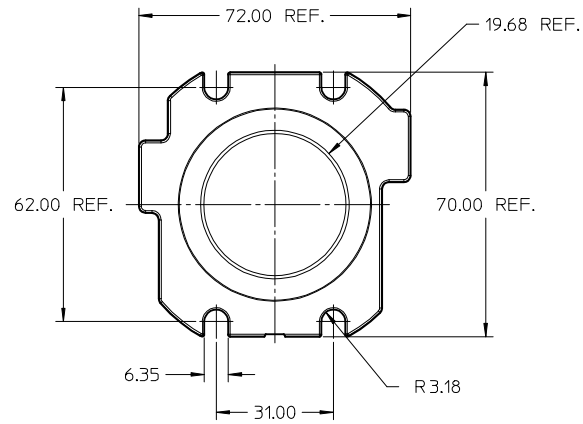
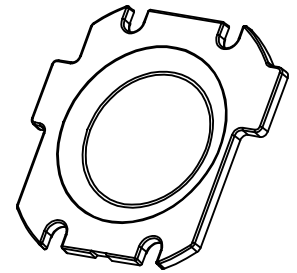
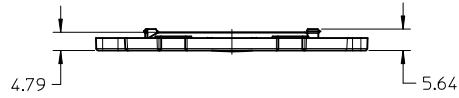
10 9 8 7 6 5 4 3 2 1

SHOWN WITH OPTIONAL REFLECTOR  
 SOLD SEPARATELY BY LEDIL @ www.ledil.com



ENTER DESCRIPTION EC NO: SSL2013-0052 DRWN: CCARRANZA 2012/10/22 CHKD: CCARRANZA 2012/11/06 APPR: DMCGOWAN 2012/11/06	QUALITY SYMBOLS	GENERAL TOLERANCES (UNLESS SPECIFIED)		DIMENSION STYLE MM ONLY		SCALE 1:1	DESIGN UNITS METRIC	THIRD ANGLE PROJECTION	
	▽=0	mm	INCH	DRAWN BY	DATE	TITLE BRIDGELUX RS LED HOLDER			
	▽=0	4 PLACES ± ---	± ---	CCARRANZA	2010/10/26				
	▽=0	3 PLACES ± ---	± ---	CHECKED BY	DATE	MOLEX INCORPORATED			
▽=0	2 PLACES ± 0.13	± ---	CCARRANZA	2012/11/06					
▽=0	1 PLACE ± 0.25	± ---	APPROVED BY	DATE	DOCUMENT NO. SD-180180-000				
	ANGULAR ± 1/2°		DMCGOWAN	2010/12/23					
1		DRAFT WHERE APPLICABLE MUST REMAIN WITHIN DIMENSIONS		SEE CHART		MATERIAL NO.		SHEET NO. 4 OF 4	
				SIZE B		THIS DRAWING CONTAINS INFORMATION THAT IS PROPRIETARY TO MOLEX INCORPORATED AND SHOULD NOT BE USED WITHOUT WRITTEN PERMISSION			

9 8 7 6 5 4 3 2 1



- NOTES:  
 1. MATERIAL: CLEAR POLYCARBONATE UL94HB.  
 2. THIS PRODUCT IS ELV AND ROHS COMPLIANT.

INITIAL RELEASE EC NO: SSL2013-0009 DRAWN: MDEVITO 2012/07/24 CHKD: CCARRANZA 2012/07/24 APPR: DMCGOWAN 2012/07/25	QUALITY SYMBOLS ▽=0 ▽=0 ▽=0	GENERAL TOLERANCES (UNLESS SPECIFIED)		DIMENSION STYLE <b>MM ONLY</b>		SCALE <b>1:1</b>	DESIGN UNITS <b>METRIC</b>	THIRD ANGLE PROJECTION			
		4 PLACES ± --- ± ---	3 PLACES ± --- ± ---	2 PLACES ± 0.13 ± ---	1 PLACE ± 0.25 ± ---	0 PLACE ± --- ± ---	DRAWN BY DATE MDEVITO 2012/07/24		TITLE <b>BRIDGELUX RS LED HOLDER LENS (SALES)</b>		
		ANGULAR ±1/2°					CHECKED BY DATE CCARRANZA 2012/07/24				
		DRAFT WHERE APPLICABLE MUST REMAIN WITHIN DIMENSIONS					APPROVED BY DATE DMCGOWAN 2012/07/25				
1	REV	MATERIAL NO. <b>1801820000</b> SIZE <b>C</b> THIS DRAWING CONTAINS INFORMATION THAT IS PROPRIETARY TO MOLEX INCORPORATED AND SHOULD NOT BE USED WITHOUT WRITTEN PERMISSION									