

PART NAME: KNOB

SCALE: 1:1

DATE: 8/13/13

DR. BY: JAM

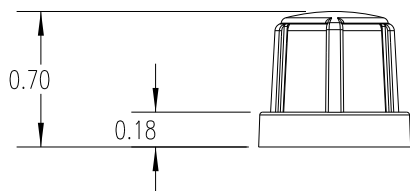
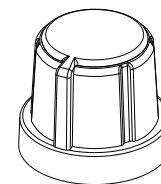
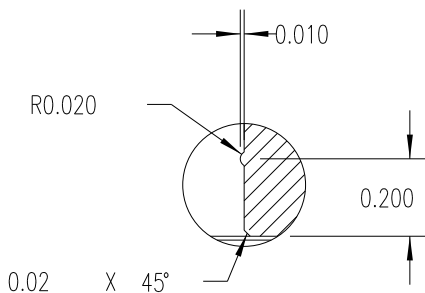
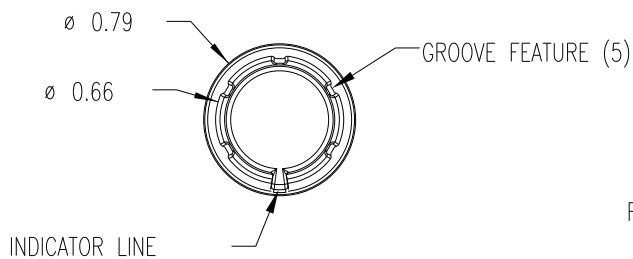


DESIGNERS & MANUFACTURERS  
OF KNOBS, HANDLENDLES, CAPSSES &  
CUSTOM PLASTIC COMPONENTS

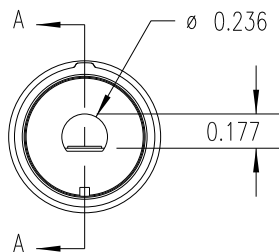
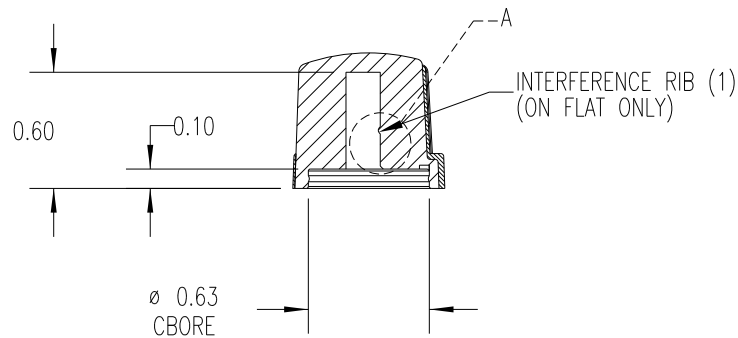
P/N 1231-M

THIS DRAWING IS THE PROPERTY OF DAVIES MOLDING COMPANY, IS SUBMITTED SOLELY AS A DESIGN OR ENGINEERING PROJECT.  
WE ACCEPT NO RESPONSIBILITY WHATSOEVER FOR THE PRACTICAL APPLICATION OF THE PIECES MADE TO THIS DESIGN.

MOLD #	1231
CAVITY	1231
CORE	1231
PIN	1231-M



DETAIL A  
SCALE 2 : 1



SECTION A-A

SUBSTRATE MATERIAL: POLYPROPYLENE (CLD)  
COLOR: WHITE (PC23083)

OVERMOLD MATERIAL: TPE (TPE3)  
COLOR: BLACK

TOLERANCES: UNLESS OTHERWISE SPECIFIED	DO NOT SCALE DRAWING				
DECIMALS: X.XXX $\pm$ .005 X.XX $\pm$ .015	MM: X.XX $\pm$ 0.15MM X.X $\pm$ 0.4MM				
FRACTIONS $\pm$ 1/64	ANG. $\pm$ 1°	CHANGES			