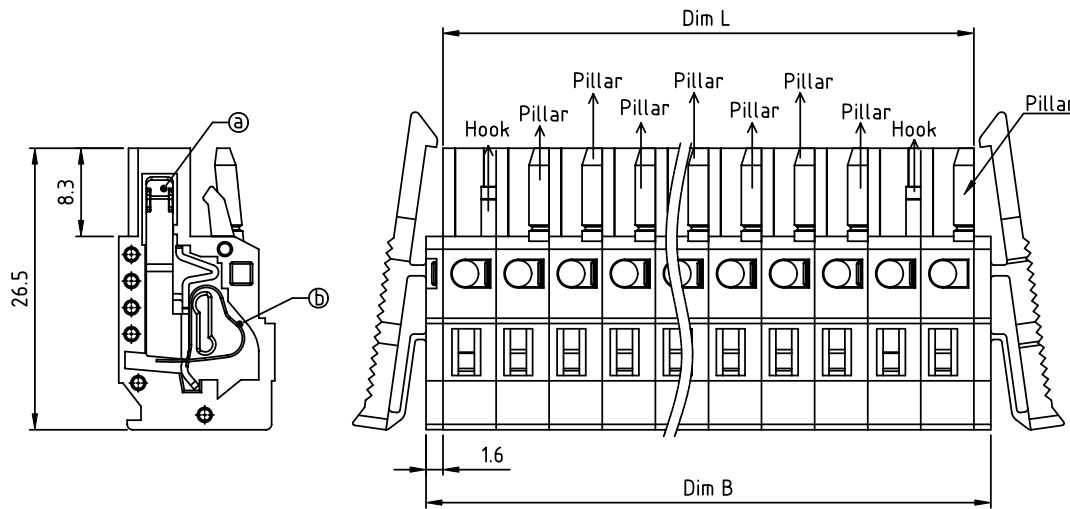
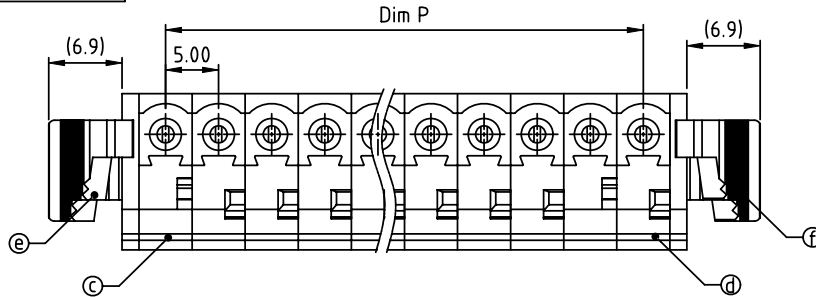


|                |         |
|----------------|---------|
| PRODUCT NUMBER | PITCH   |
| Hlxx00x300J0G  | 5.00 mm |



Material:

- Item ③ Female contact: PhBz Tin plated
- Item ④ Spring Clamp: Stainless steel
- Item ⑤ Terminal housing (With hook): Thermoplastic (UL94V-0)
- Item ⑥ Terminal housing (With Pillar): Thermoplastic (UL94V-0)
- Item ⑦ Left cover with latch: Thermoplastic (UL94V-0)
- Item ⑧ Right cover with latch: Thermoplastic (UL94V-0)

Electrical:

- Voltage rating: 300 V
- Current rating: 8A (mated with NC series)
- Wire range:
- Solid wire(AWG): 12-28
- Stranded wire(AWG): 12-28
- Wire strip length: 8-9mm
- Withstanding Voltage: 1.6KV
- Operating temperature: -40°C to +115°C
- Safety approval : us

Layout of Hook and Pillar:

|         |                                    |
|---------|------------------------------------|
| 2P      | Hook+Pillar                        |
| 3P      | Hook+Hook+Pillar                   |
| 4P      | Hook+Pillar+Hook+Pillar            |
| 5P      | Hook+Pillar+Pillar+Hook+Pillar     |
| 5P over | Hook+Pillar+...+Pillar+Hook+Pillar |

PART NO.: HI xx 00 x 3 00J0 G

DIMENSION

|                 |
|-----------------|
| Dim L=N×5.0     |
| Dim P=(N-1)×5.0 |
| Dim B=N×5.0+3.2 |

N=Number of poles

| Poles   | Tolerance |
|---------|-----------|
| 2P      | ±0.10     |
| 3P-6P   | ±0.15     |
| 7P-12P  | ±0.20     |
| 13P-18P | ±0.30     |
| 19P-24P | ±0.40     |

| End stackable | No. of poles | Color               | RoHS compliant (lead<4%) In copper Alloy |
|---------------|--------------|---------------------|--|
| 0             | 2            | Black (RAL9005)     |  |
| 02            | 2 poles      | Red (RAL3001/D)     |  |
| 03            | 3 poles      | Orange(RAL2011/P)   |  |
| ...           | ...          | 4 Yellow(RAL1018/A) |  |
| ...           | ...          | 5 Green(RAL6018/T)  |  |
| 24            | 24 poles     | 6 Blue (RAL5015/A)  |  |
|               |              | 8 Grey(RAL7035/D)   |  |
|               |              | 9 White(RAL1102)    |  |
|               |              | C Green(RAL6018/U)  |  |

| mat'l. code |          |    |    | surface                               | tolerance         | projection                               | product family |  |
|-------------|----------|----|----|---------------------------------------|-------------------|--|----------------|--|
| ltr         | ecn      | no | dr | ASME Y14.5                            | ASME Y14.5        |  | TERMINAL BLOCK |  |
|             |          |    |    | tolerances unless otherwise specified |                   | MM                                       | title          |  |
|             |          |    |    | angles                                | X.±0.5            | TERMINAL BLOCK                           |                |  |
|             |          |    |    | ±                                     | X.X±0.3           | SPRING CLAMP, PLUGGABLE PLUG, WITH LATCH |                |  |
|             |          |    |    | X*±1*                                 | X.XX±0.1          | scale                                    |                |  |
|             |          |    |    | dr                                    | EVIN ZHONG 051414 | FCI                                      |                |  |
|             |          |    |    | enrg                                  | EVIN ZHONG 051414 | dwg no                                   |                |  |
|             |          |    |    | chr                                   | HANKE FENG 051414 | sheet 1 of 1 size                        |                |  |
|             |          |    |    | appd                                  | SHI JUN 051414    | Hlxx00x300J0G A4                         |                |  |
|             |          |    |    |                                       |                   | type                                     |                |  |
|             |          |    |    |                                       |                   | CUSTOMER Drawing                         |                |  |
| sheet index | revision | A  |    |                                       |                   |  |                |  |
|             | sheet    | 1  |    |                                       |                   |  |                |  |