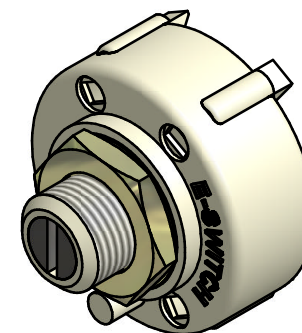
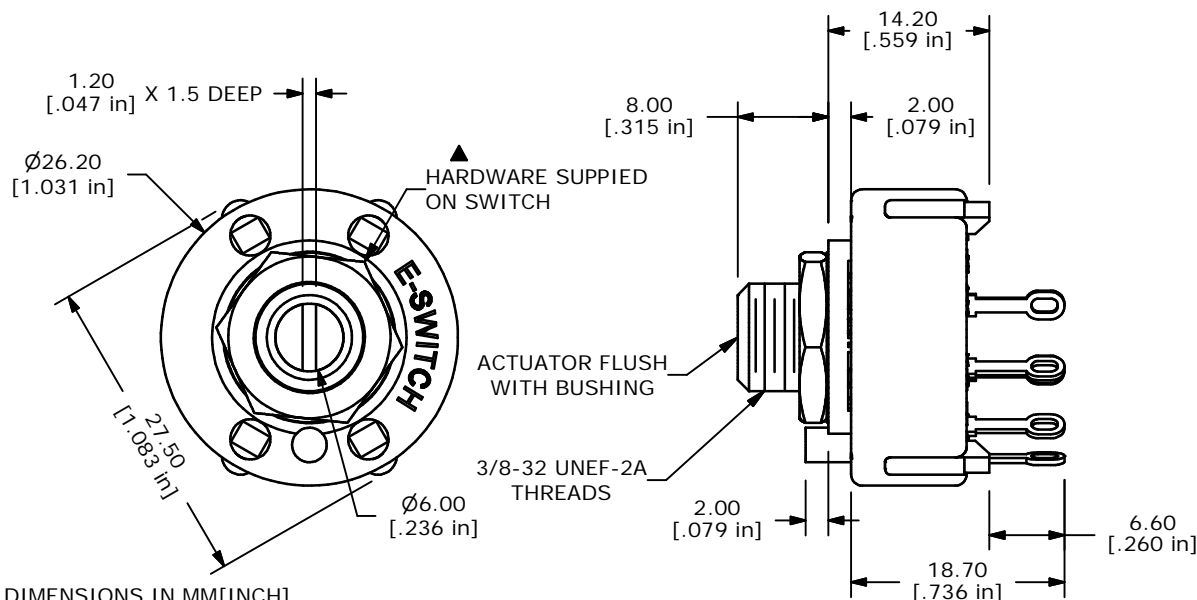
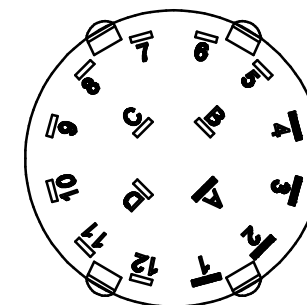


CONTACT CONFIGURATION
TIMING (BBM) NON-SHORTING



ISOMETRIC



- NOTE:
1. ALL DIMENSIONS IN MM[INCH].
 2. GENERAL TOLERANCE: X.X=±0.4
X.XX=±0.25
 3. TERM. NOS. FOR REFERENCE ONLY.
 4. CONTACT MATERIAL: SILVER
 5. CONTACT RATING: 150MILLIAMPS, 250VAC/DC
350MILLIAMPS, 110VAC/DC
 6. CONTACT RATING (NON-SWITCHING) 5A
 7. OPERATING FORCE 425±100CM/STANDARD
 8. OPERATING TEMP: -30°C TO 85°C
 - ▲ 9. CIRCUIT SP: 4 POSITION 30° INDEX.
 10. DIELECTRIC STRENGTH: 1000V RMS MIN.@ SEA LEVEL.
 - ▲ 11. HARDWARE SUPPLIED ON SWITCH:
LOCKWASHER, HEXNUT, STOP RING
 12. ▲ DENOTES CRITICAL PARAMETER.

E-SWITCH®

TITLE KC14D0.001NLS

| | | | | |
|-----|--------|-------------------------|---------|----|
| A | 14100 | RELEASED FOR PRODUCTION | 6/17/04 | AR |
| REV | PCR NO | DESCRIPTION | DATE | BY |

| | | | | |
|-------|---------|----|---------|-----|
| SCALE | DATE | DR | DWG | REV |
| 1.5:1 | 6/16/04 | AR | G527963 | A |

THE INFORMATION CONTAINED IN THIS DOCUMENT IS PROPRIETARY TO E-SWITCH AND IS NOT TO BE COPIED OR TRANSFERRED