

TDK Corporation

Piezo & Protection Device B. Grp.

3-9-1, Shibaura, Minato-ku, Tokyo,

108-0023, Japan

TEL. 03-6852-7300



NTCG

**NTC Chip Thermistor  
Temperature Sensing Device**

**PRODUCT: NTCG104LH154JTDS**

**This product is compliant with the  
AEC-Q200 standard.**

PAGE NO.: 1 OF 1

**Dimensions and construction**

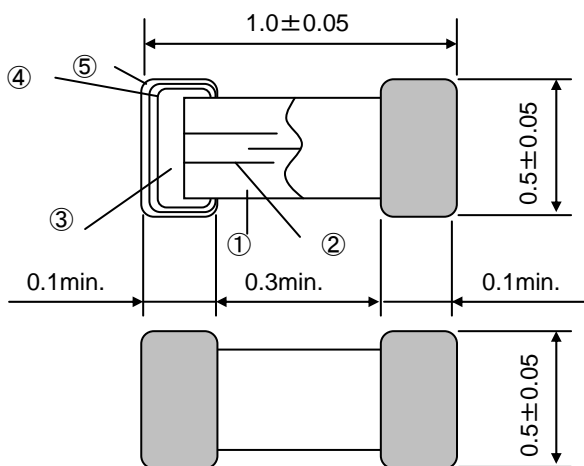


TABLE1. Parts List

	Part Name	Material
①	Element	Manganese, Nickel-oxide base Ceramics materials
②	Inner electrodes	Palladium
③	Terminal	Silver base
④	electrodes	Nickel-plating
⑤		Tin-plating

**Operating temperature range**

-40 ~ +125°C

TABLE 2. Electric Performance:

Item	Symbol	Specification
Nominal resistance and tolerance	R25	150kΩ ± 5%
B value and tolerance	B25/85	4550K ± 3%
Maximum rated power (condition: PCB)	P25	100 mW / 25°C in still air

TABLE 3. Resistance - Temperature Characteristics (condition: chip in silicone oil)

Temp (°C)	Min (kΩ)	Nom (kΩ)	Max (kΩ)	Temp (°C)	Min (kΩ)	Nom (kΩ)	Max (kΩ)	Temp (°C)	Min (kΩ)	Nom (kΩ)	Max (kΩ)
-40.0	6446	7634	9019	20.0	182.0	193.1	204.3	80.0	12.38	13.99	15.77
-35.0	4544	5324	6222	25.0	142.5	150.0	157.5	85.0	10.24	11.64	13.19
-30.0	3239	3755	4343	30.0	110.7	117.3	124.1	90.0	8.508	9.722	11.08
-25.0	2333	2677	3065	35.0	86.52	92.40	98.44	95.0	7.103	8.159	9.349
-20.0	1697	1929	2186	40.0	68.09	73.23	78.57	100.0	5.955	6.876	7.920
-15.0	1246	1403	1575	45.0	53.93	58.40	63.08	105.0	5.014	5.819	6.735
-10.0	923.8	1030	1146	50.0	42.98	46.84	50.93	110.0	4.239	4.943	5.750
-5.0	690.8	763.5	841.8	55.0	34.45	37.79	41.36	115.0	3.597	4.215	4.926
0.0	520.9	570.7	623.8	60.0	27.77	30.66	33.77	120.0	3.064	3.607	4.236
5.0	396.0	430.2	466.2	65.0	22.52	25.01	27.71	125.0	2.620	3.098	3.655
10.0	303.4	326.9	351.3	70.0	18.35	20.50	22.85				
15.0	234.1	250.3	266.9	75.0	15.03	16.89	18.94				