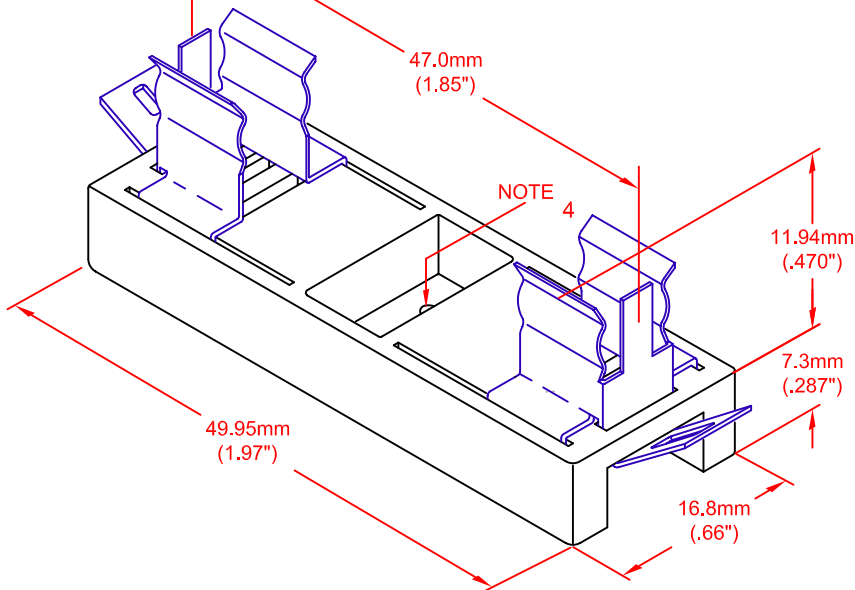


JKL PART NO.: 2910F-42



JKL PART NO.: 2910F-47

NOTES:

1. TAB SIZE REFERENCE DIMENSIONS: .244" wide X .30" deep X .016 thick.
KEYSTONE P/N 4470 QUICK-FIT SOCKET MAY BE USED FOR CONTACT.
2. LAMP SIZES FOR EACH HOLDER:
-42 HOLDER CAN HOLD LAMPS FROM 30mm TO 40mm LONG
-47 HOLDER CAN HOLD LAMPS FROM 37mm TO 44mm LONG
3. MINIMUM CONTACT DIAMETER .30"
4. LOCATION OF MOUNTING HOLE. HOLE DIA. : Ø3.5mm REF.
5. BODY MATERIAL: DUPONT FR50
MAX. WITHSTAND TEMPERATURE 130C
MAX. INTERMITTENT TEMPERATURE 180C
MAX. WATTAGE: -42 10W
 -47 18W

E CHANGE NOTE 2		3/9/10	<p>THIRD ANGLE PROJECTION</p>	<p>METRIC</p> <p>DIMENSIONS ARE IN MILLIMETERS</p> <p>TOLERANCE UNLESS OTHERWISE SPECIFIED</p> <p>1 PL +/- REF.</p> <p>2 PL +/- REF.</p> <p>ANGLE +/- 0</p>	<p>JKL COMPONENTS CORPORATION</p>					
D ADDED NOTES		8/7/08			<p>TITLE</p> <p style="font-size: 1.2em;">FESTOON HOLDER</p>					
C CORR. MATERIAL DESCRIPTION		11/13/07	DRAWN BY	APPVD BY	DATE	SIZE	FSCM NO.	DRAWING NO.		
B ADD NOTES		8/18/06	L. WENGSTROM	L. R.	3/9/10	A	55335	2910F		
A ADD PART NO. 2910F-47		6/30/06	<p>- CAD DRAWING -</p> <p>MANUAL REVISIONS NOT PERMITTED</p>				SCALE	RELEASED DATE	REVISION DATE	REV. NO.
RELEASED		6/12/06					NONE	6/12/06	3/9/10	E
REV. NO.	DESCRIPTION/ECO NUMBER	APPVD DATE								SHEET 1 OF 1