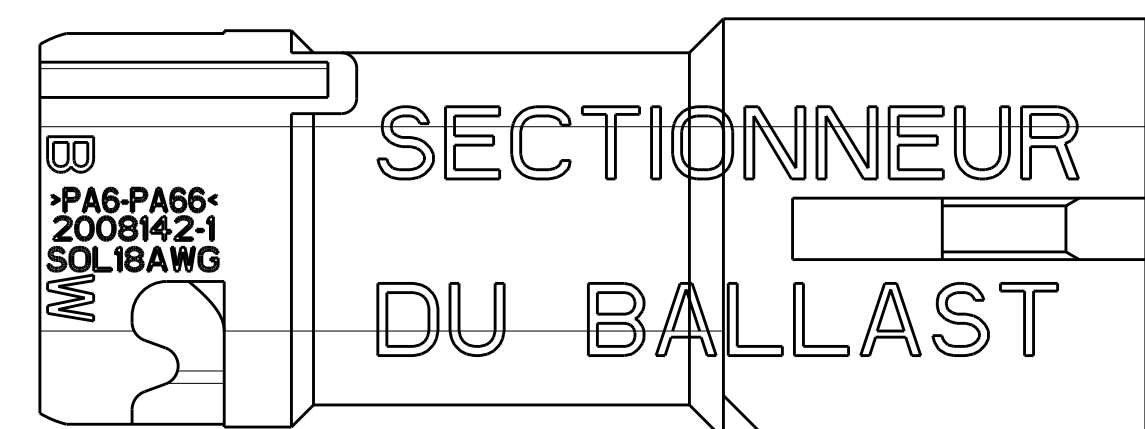
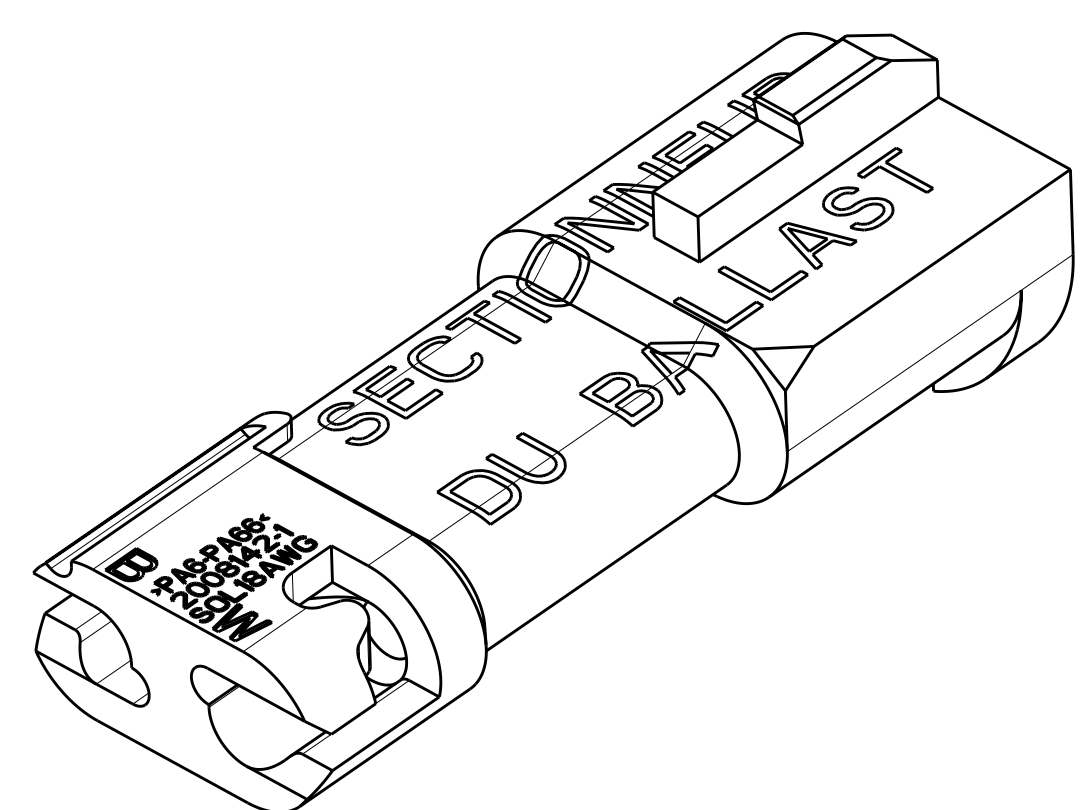


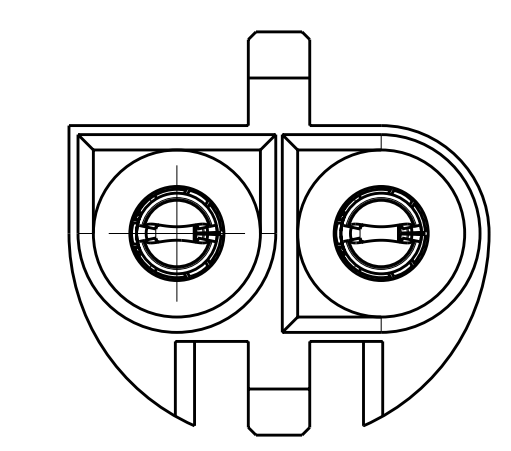
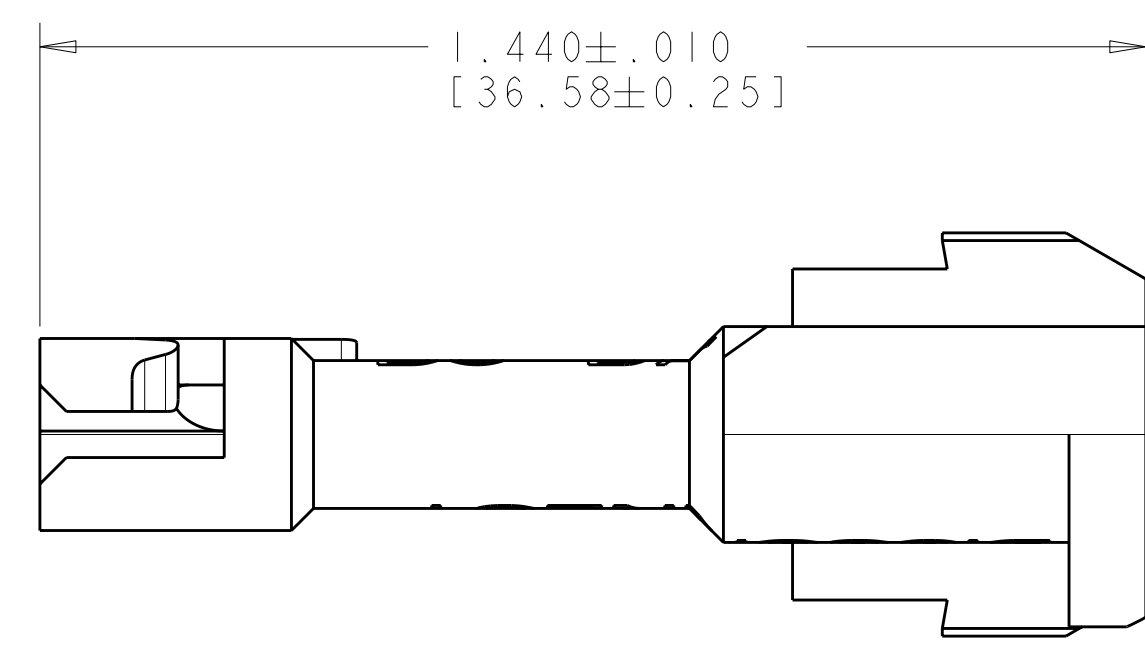
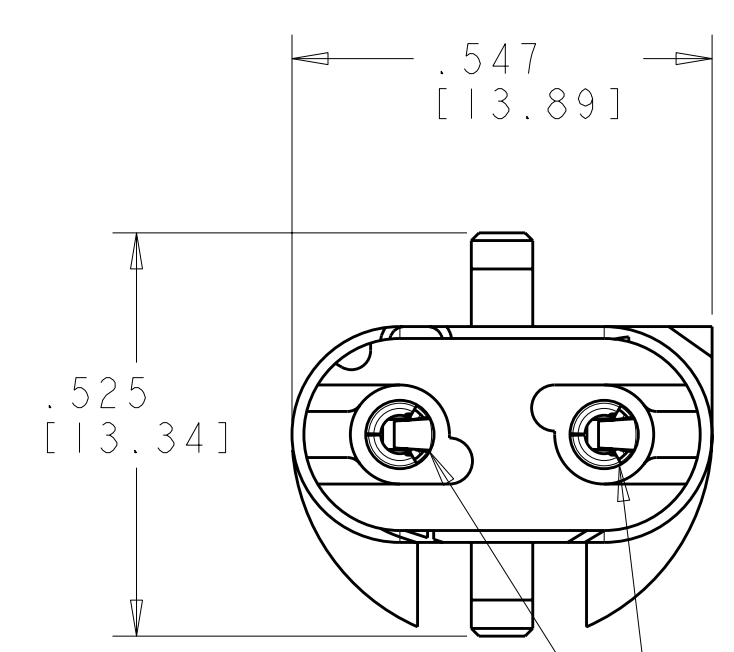
REVISONS		DATE	DWN	APVD	
1	AI	05JAN2010	SS	DD	
REVISIONS					
LOC	DIST	DESCRIPTION	DATE	DWN	APVD
-	-	REVISED PER ECO-09-028539	05JAN2010	SS	DD



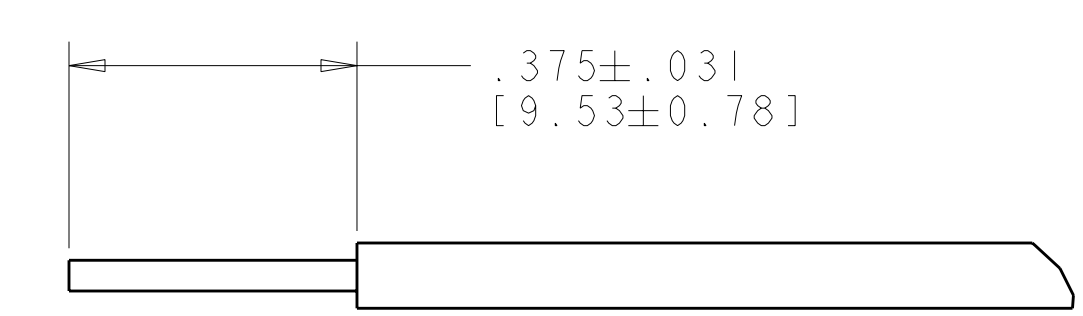
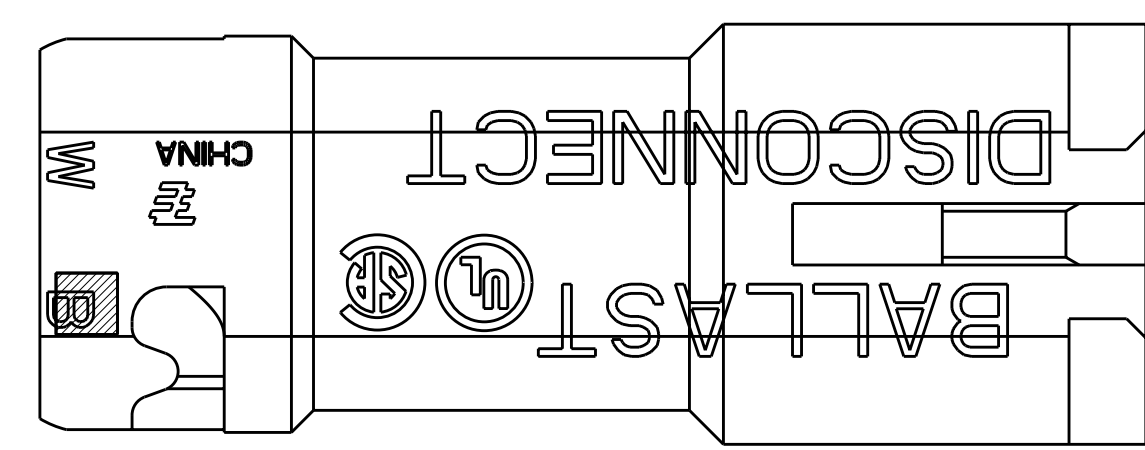
△ MATERIAL:  
 HOUSING: POLYAMIDE, COLOR: NATURAL  
 CONTACTS: PHOSPHOR BRONZE  
 INK: BLACK

△ FINISH:  
 CONTACTS: TIN PLATED

3. SEE INSTRUCTION SHEET: 408-10153



ACCEPTS 18 AWG SOLID WIRE  
 WITH .086 [2.18] MAX INSULATION DIAMETER



RECOMMENDED WIRE STRIP LENGTH

UNMARKED	2008142-2
MARKED	2008142-1
REMARKS	PART NUMBER

DIMENSIONS: IN		TOLERANCES UNLESS OTHERWISE SPECIFIED: 9 PLC ±. 8 PLC ±.01 5 PLC ±.005 4 PLC ±. ANGLES ±1°		DWN C. DAILY 23APR2007 CHK J. LANDIS 23APR2007 APVD -		Tyco Electronics Harrisburg, PA 17105-3608	
MATERIAL △		FINISH △		PRODUCT SPEC 108-2275 APPLICATION SPEC 114-13204		NAME ASSEMBLY, RECEPTACLE, 2 POSITION, PT LIGHT-N-LOK SIZE CAGE CODE DRAWING NO RESTRICTED TO A 100779 C=2008142	
CUSTOMER DRAWING				WEIGHT -		SCALE 4:1 SHEET 1 OF 1 REV A1	