

2	G
1	G
SHT	REV

<b>ADD COSMETIC NOTE</b> FC NO: UCP2006-3051 2006/07/10 DRAWN BY: BARRA 2006/07/10 CHKD: BORGAN 2006/07/10 APPR: SMILLER 2006/07/11	<b>QUALITY SYMBOLS</b> = 0 = 0	<b>GENERAL TOLERANCES (UNLESS SPECIFIED)</b> <table border="1"> <tr> <th></th> <th>mm</th> <th>INCH</th> </tr> <tr> <td>4 PLACES</td> <td>± .005</td> <td>± .0005</td> </tr> <tr> <td>3 PLACES</td> <td>± .010</td> <td>± .0010</td> </tr> <tr> <td>2 PLACES</td> <td>± 0.13</td> <td>± .01</td> </tr> <tr> <td>1 PLACE</td> <td>± 0.25</td> <td>± .01</td> </tr> </table> ANGULAR ±1/2°		mm	INCH	4 PLACES	± .005	± .0005	3 PLACES	± .010	± .0010	2 PLACES	± 0.13	± .01	1 PLACE	± 0.25	± .01	DIMENSION STYLE <b>IN/MM</b>	SCALE <b>4:1</b>	DESIGN UNITS <b>INCH</b>	THIRD ANGLE PROJECTION 
				mm	INCH																
			4 PLACES	± .005	± .0005																
			3 PLACES	± .010	± .0010																
2 PLACES	± 0.13	± .01																			
1 PLACE	± 0.25	± .01																			
DRAWN BY: SCHMIDGALL DATE: 1993/07/20 CHECKED BY: MOS DATE: 1993/07/20 APPROVED BY: BIXLER DATE: 1993/07/20		TITLE <b>.050 PITCH LFH 160 CKT          RIGHT ANGLE I/O FEMALE          SALES ASSEMBLY</b>		MATERIAL NO. <b>SDA-71626-200*</b>		SHEET NO. <b>1 OF 2</b>															
DRAFT WHERE APPLICABLE MUST REMAIN WITHIN DIMENSIONS		SEE TABLE		MOLEX INCORPORATED		THIS DRAWING CONTAINS INFORMATION THAT IS PROPRIETARY TO MOLEX INCORPORATED AND SHOULD NOT BE USED WITHOUT WRITTEN PERMISSION															

PART NUMBER	ENG. NUMBER	DIM. "A"
051-24-1040	71626-2000	.092
051-24-1041	71626-2001	.079
71626-2002	71626-2002	.125

NOTES:

1) MATERIALS:

HOUSING: GLASS FILLED LCP (LIQUID CRYSTAL POLYMER),  
UL 94V-0, COLOR: BLACK.  
TAIL ALIGNER: GLASS FILLED LCP (LIQUID CRYSTAL POLYMER),  
UL 94V-0, COLOR: BLACK.  
MOLDED STICK: LCP 30% GLASS FILLED, 94V-0, BLACK.  
FEMALE CONTACT: BERYLLIUM COPPER .0100±.0005 THICK.  
OUTER SHELL: LOW CARBON STEEL.  
THREADED INSERT: BRASS.

2) PLATING :

TERMINAL: .000030/(0.00076) MINIMUM GOLD IN SELECTIVE AREA;  
.000100/(0.00254) MINIMUM TIN IN SELECTIVE AREA;  
OVER NICKEL UNDERPLATE OVERALL.

OUTER SHELL: .000150/(0.00381) MINIMUM TIN OVER  
.000050/(0.00127) MINIMUM NICKEL OVER  
COPPER FLASH (OPTIONAL).

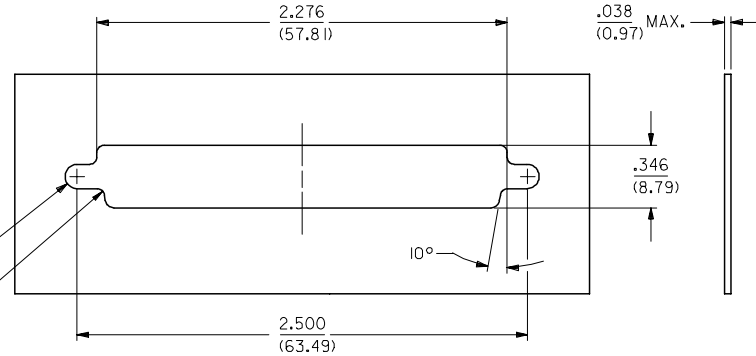
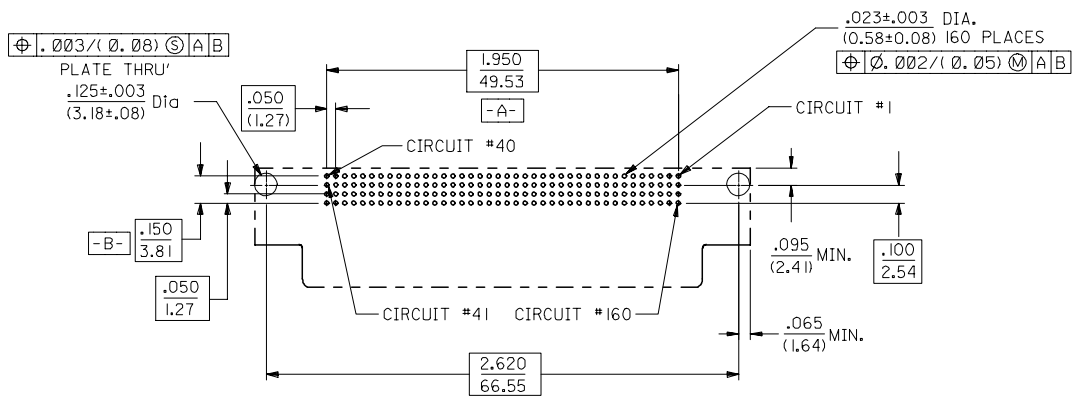
3) THIS PART CONFORMS TO MOLEX PRODUCT SPECIFICATION PS-71626.

4) PACKAGING SPECIFICATION PK-70873-0229 APPLIES.

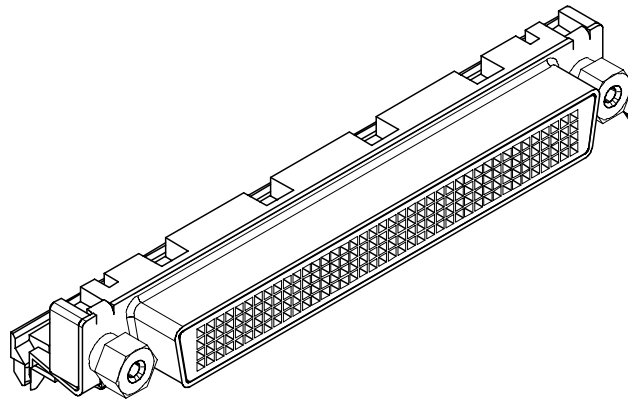
5) PART COMPLIES WITH CLASS B OF COSMETIC SPECIFICATION PS-45499-002

NOTE FOR LEAD FREE CONVERSION:

THE PRIMARY SHIPPING CARTON WILL BE  
LABELED 'COMPLIANT TO RoHS DIRECTIVE  
2002/95/EC AND ELV ANNEX II OF  
DIRECTIVE 2000/53/EC'. CARTONS  
WITHOUT THIS LABEL MAY CONTAIN  
PRODUCT WITH LEAD.



PANEL CUT-OUT DIMENSIONS  
ALL TOLERANCES ±.003/(0.08)  
UNLESS OTHERWISE STATED.



FOR OPTIONAL HARDWARE DETAILS  
SEE SDA-71629-\*\*\*\*\*

ADD NOTE 5 FC NO: UCP2006-3051 DRWN:MS:BARRA 2006/07/10 CHKD:DMORGAN 2006/07/10 APPR:SMILLER 2006/07/11	DESCRIPTION REV	QUALITY SYMBOLS ▽=0 ▽=0	GENERAL TOLERANCES (UNLESS SPECIFIED)	DIMENSION STYLE IN/MM	SCALE 2:1	DESIGN UNITS INCH	THIRD ANGLE PROJECTION
		4 PLACES ± --- ± --- 3 PLACES ± --- ± .010 2 PLACES ± 0.25 ± --- 1 PLACE ± --- ± ---	DRAWN BY DATE SCHMIDGALL 1993/07/20 CHECKED BY DATE MOS 1993/07/20 APPROVED BY DATE BIXLER 1993/07/20	TITLE .050 PITCH LFH 160 CKT RIGHT ANGLE I/O FEMALE SALES ASSEMBLY			
		ANGULAR ±1/2°	MATERIAL NO. SEE TABLE	DOCUMENT NO. SDA-71626-200*			
		DRAFT WHERE APPLICABLE MUST REMAIN WITHIN DIMENSIONS	SIZE C	SHEET NO. 2 OF 2			