

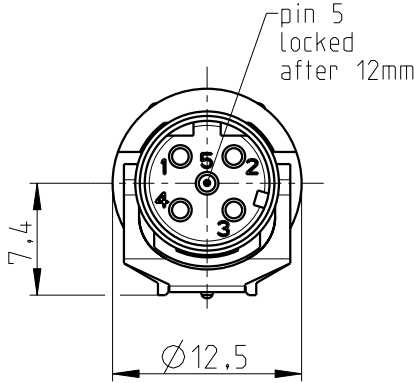
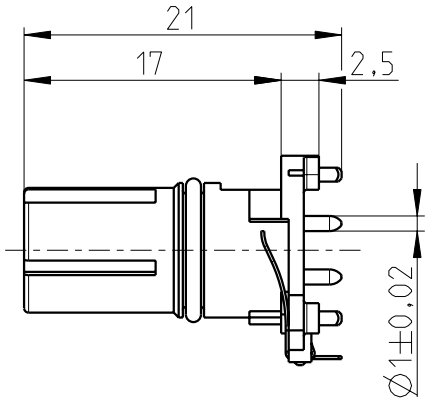
The copying, distribution and utilization of this document as well as the communication of the contents to others without expressed authorization is prohibited according to §18 UWG German Law. Offenders will be held liable for the payment of damages according to §19 UWG German Law. All rights reserved, in particular the right to carry out patent, utility model or ornamental design registrations.

Weitergabe sowie Vervielfältigung dieses Dokuments, Verwertung und Mitteilung seines Inhalts gem §18 UWG verboten, soweit nicht ausdrücklich gestattet. Zuwiderhandlungen verpflichten zu Schadensersatz (§19 UWG). Alle Rechte vorbehalten, insbesondere das Recht, Patent-, Gebrauchsmuster- oder Geschmacksmusteranmeldungen durchzuführen. CONINVERS GmbH Heisenbergstrasse 1 D-71083 Herrenberg

Mechanical data (according to IEC 61076-2-101)	
no. of poles / coding	4 / D (with shield connection)
contact termination	dip solder / socket
contact-Ø	4xØ1mm
temperature range	-40 °C to +105 °C
protection class	IP67
mating cycles	>100

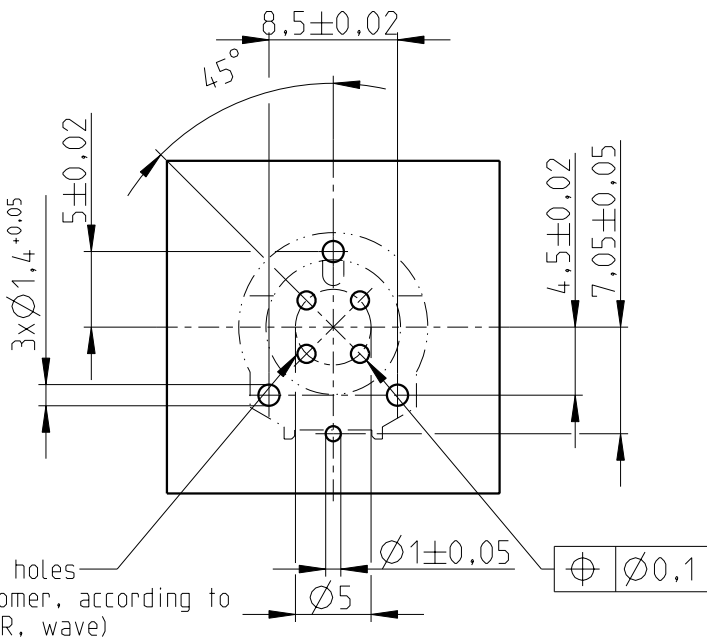
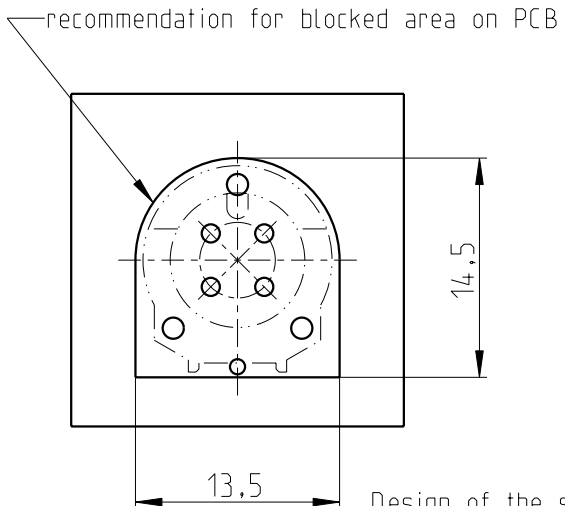
Material	
contacts / surface	CuZn with gold layer
contact carrier colour	PA6T / 66 black
sealing gasket	FKM

further information:  
- see technical data M12-3



All specified data refers to the mounted M12 installation plugs ≥ IP54 and requires that the connector pair be correctly plugged and locked. Recommended tightening torque 0,4Nm. Influences from wires, cables or PCB mounting are also to be taken into consideration.

### drilling plan component side (front view PC-Board)



Design of the solder holes provided by the customer, according to solder - process (THR, wave)

general tolerance acc. to DIN ISO 2768-c		technical changes reserved		Index 2 / 2012-11-21		scale: 2:1	
design	date	name		Series DSIV M12-socket-contact carrier 4-pole socket/D-coding/straight/shield connection			
chk.	2012-06-13	Thumm					
drawing-no.:		BS-04S2DB200B4		doc.-no.:		00666376	
order-no.:		1551451		page: 1 of: 1			
article designation:		SACC-CI-M12FSD-4CON-L180-THR					