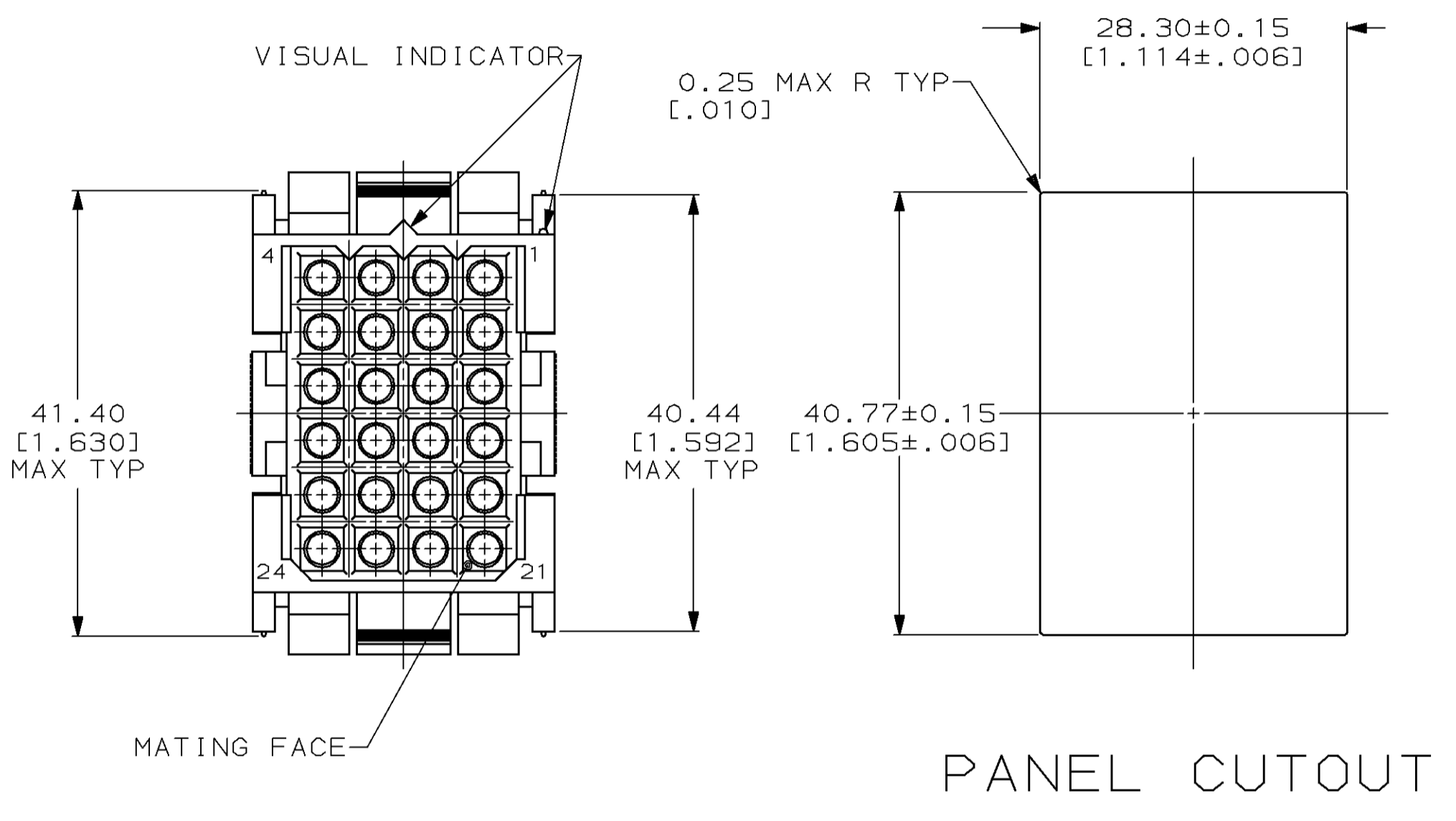
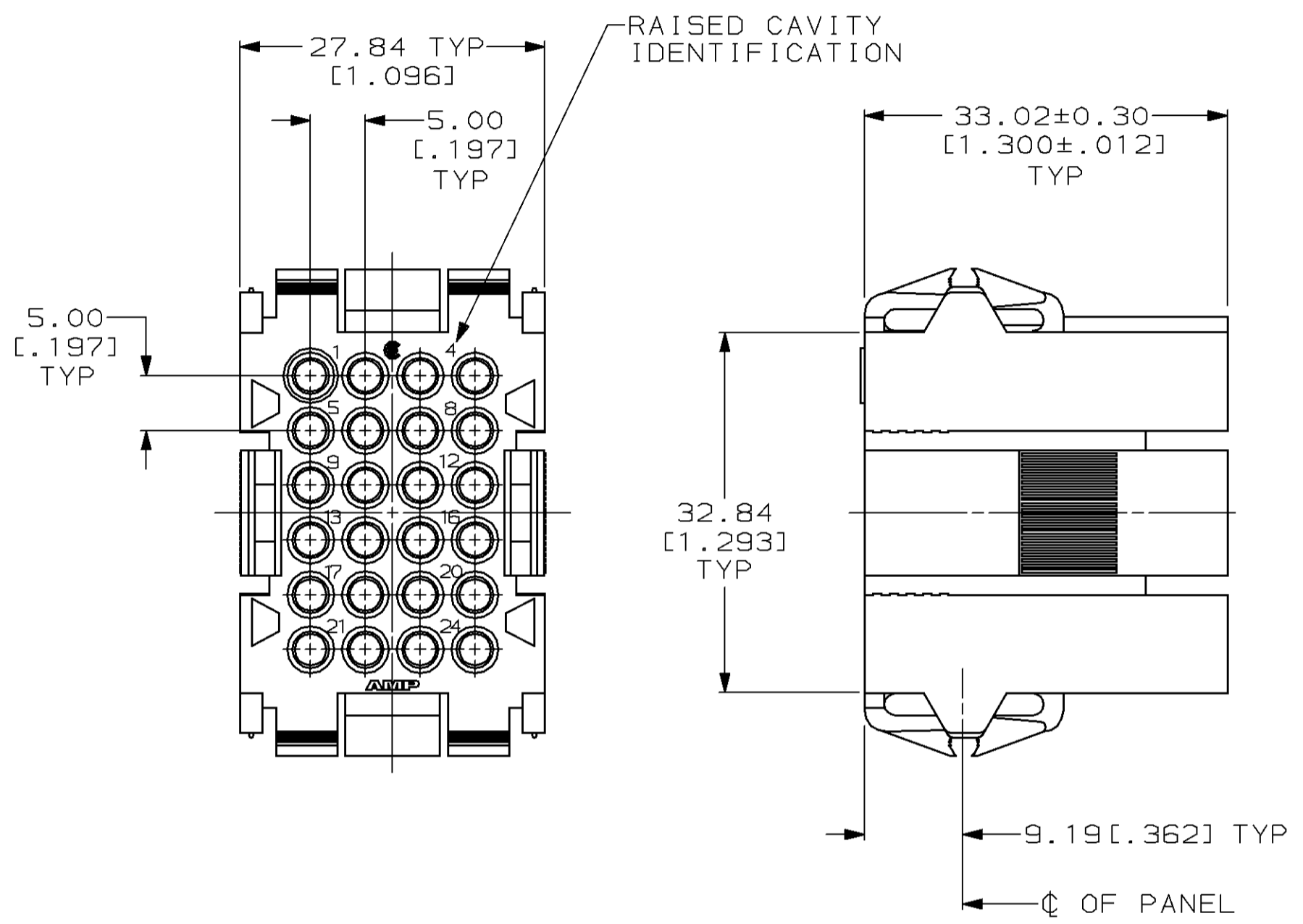


MOD	LOC	DIST	P	F	ZONE	LTR	DESCRIPTION	DATE	APPD
1	BD	37							
						K	REDRAWN WITH NO CHANGE PER ECN BD6668	08/26/92	-
						L	REV PER EC 0020-250-94	03/24/94	AT



1. PANEL RETENTION MECHANISM ACCOMMODATES PANEL THICKNESSES FROM 0.76 [.030] TO 2.29 [.090].

		207305-1	
		PART NO	
DO NOT SCALE PRINT. UNLESS SPECIFIED DIMENSIONS IN mm [INCHES] TOLERANCES ON : 2 PLC DEC ± 0.25 [.010] 3 PLC DEC ± - ANGLES ± -		AMP Incorporated Harrisburg, PA 17105-3608	
MATERIAL NYLON, COLOR: RED		NAME HOUSING, RECEPTACLE, 24 POSITION, METRIMATE	
FINISH -		SIZE C 00779	
APPLICATION SPEC -		DRAWING NO G=207305	
WEIGHT -		SCALE 2:1	
		SHEET 1 OF 1	

THIS DRAWING IS A CONTROLLED DOCUMENT FOR AMP INCORPORATED. IT IS SUBJECT TO CHANGE AND THE CONTROLLING ENGINEERING ORGANIZATION SHOULD BE CONTACTED FOR THE LATEST REVISION.