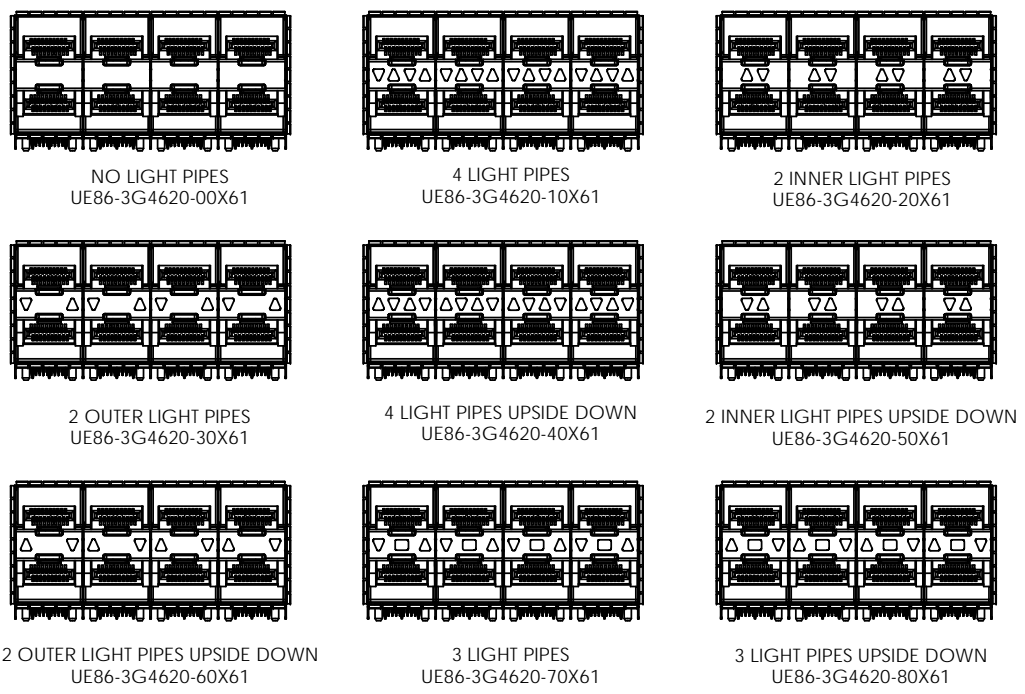
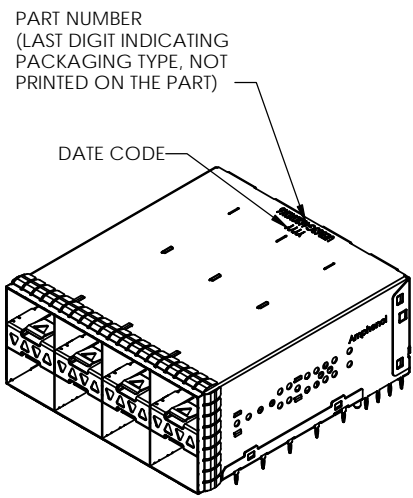


AMPHENOL PART NUMBER CONFIGURATION
UE86-3G4620-X0X61

- LIGHT PIPE OPTION**
- 0 - NO LIGHT PIPE
 - 1 - 4 LP PER 2X1, NORMAL ORIENTATION
 - 2 - 2 INNER LP PER 2X1, NORMAL ORIENTATION
 - 3 - 2 OUTER LP PER 2X1, NORMAL ORIENTATION
 - 4 - 4 LP PER 2X1, REVERSING ORIENTATION
 - 5 - 2 INNER LP PER 2X1, REVERSING ORIENTATION
 - 6 - 2 OUTER LP PER 2X1, REVERSING ORIENTATION
 - 7 - 3 LP PER 2X1, 2 OUTER LP, NORMAL ORIENTATION
 - 8 - 3 LP PER 2X1, 2 OUTER LP, REVERSING ORIENTATION

- PACKAGING**
- 1 - TRAY PACKAGING (STACKED)
- PLATING OPTIONS FOR CONNECTOR**
- 2 - 30µ" GOLD PLATING ON MATING AREA
15-100µ" MATTE TIN ON TERMINATION
 - 3 - 30µ" GOLD PLATING ON MATING AREA
150-300µ" MATTE TIN ON TERMINATION
 - 5 - 15µ" GOLD PLATING ON MATING AREA
15-100µ" MATTE TIN ON TERMINATION
 - 6 - 15µ" GOLD PLATING ON MATING AREA
150-300µ" MATTE TIN ON TERMINATION

REVISIONS				
REV.	ECN	DESCRIPTION	DATE	APPROVED
C		UPDATE NOTES	AUG 19/14	J.SI
D		CHANGED PCB THICKNESS	NOV 03/15	J.SI
E		REMOVED DIM. ZONE B2, SHEET 2 OF 5	OCT 31/16	J.SI



MATERIAL: (RoHS COMPLIANT)

1. CAGE - PRESS FIT: COPPER ALLOY (NICKEL SILVER)
2. CONNECTOR - PRESS FIT:
- PLASTIC HOUSING: LCP, FLAMMABILITY RATING UL94-V0
- CONTACTS: PHOSPHOR BRONZE
3. LIGHT PIPE: CLEAR POLYCARBONATE, FLAMMABILITY RATING UL94-V0
4. PACKAGING: TRAY PACKAGING
5. TEMPERATURE RANGE: -40°C TO +85°C



THIS DOCUMENT CONTAINS PROPRIETARY INFORMATION AND SUCH INFORMATION MAY NOT BE DISCLOSED TO OTHERS FOR ANY PURPOSE OR USED FOR MANUFACTURING PURPOSES WITHOUT WRITTEN PERMISSION FROM AMPHENOL CANADA CORP.

UNLESS SPECIFIED OTHERWISE	DRAWN	P. OU	FEB 07/14
DIMENSIONS ARE IN MILLIMETERS	CHECKED	J. SI	NOV03/15
REFERENCE IN PARENTHESES	M.E. APP'D		
GENERAL TOLERANCES	Q.A. APP'D		
1 DECIMAL PLACE ±0.25	DWG APP'D	J. SI	NOV03/15
2 DECIMAL PLACE ±0.15	MATERIAL AND FINISH	SEE NOTES	
3 DECIMAL PLACE N/A	REF.	ECN Exxxxx	
ANGULAR DEGREES ±1°	THIRD ANGLE PROJECTION		
ENG. REL. NO.	DO NOT SCALE DRAWING		

Amphenol High Speed Interconnects
 A Division of Amphenol Corp. www.amphenolcanada.com

2X4 SFP ULTRAPORT WITH LIGHT PIPE OPTIONS AND EMI SPRING FINGER

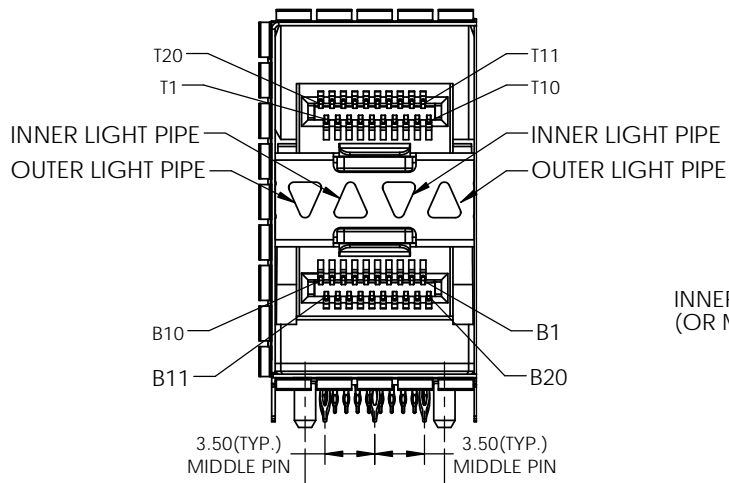
DWG. NO. **P-UE86-3G4620-X0X61** REV. **E**

CODE ID NO. 03554 | DWG SIZE: A4 | SCALE: 2:3 | SHEET 1 OF 5

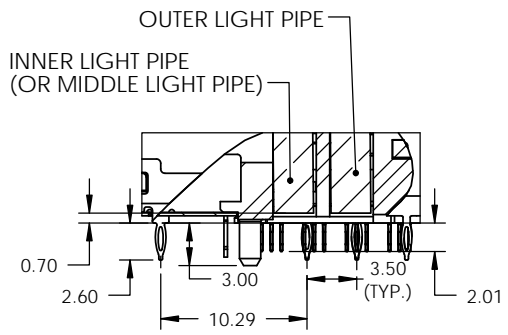
1 2 3 4 5 6

REVISIONS				
REV.	ECN	DESCRIPTION	DATE	APPROVED
C		UPDATE NOTES	AUG 19/14	J.SI
D		CHANGED PCB THICKNESS	NOV 03/15	J.SI
E		REMOVED DIM. ZONE B2, SHEET 2 OF 5	OCT 31/16	J.SI

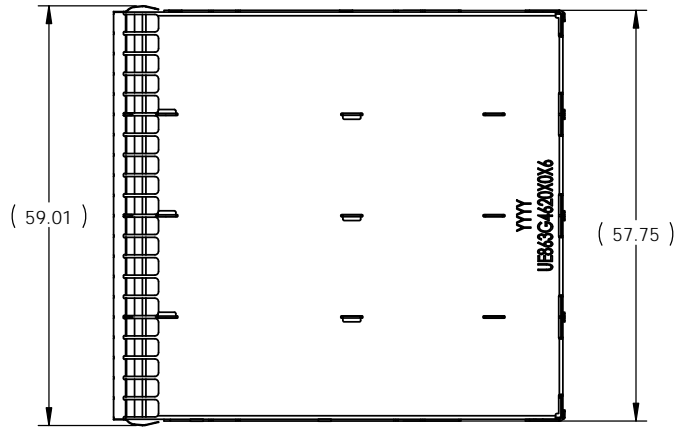
A



DETAIL A
SCALE 2 : 1

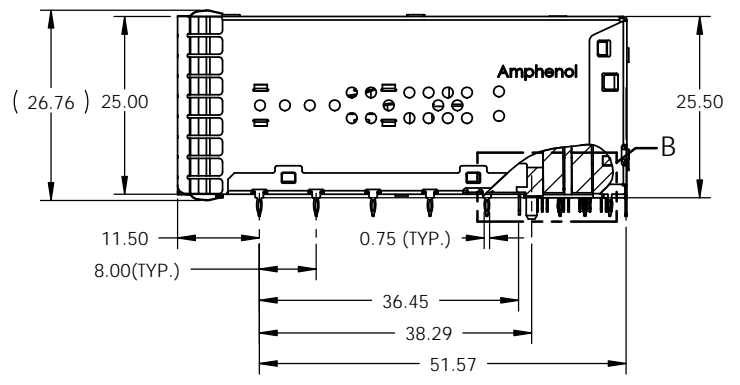
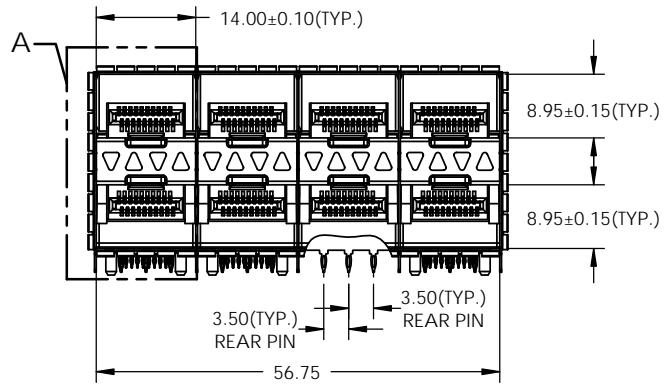


DETAIL B
SCALE 2 : 1



B

C



D

THIS DOCUMENT CONTAINS PROPRIETARY INFORMATION AND SUCH INFORMATION MAY NOT BE DISCLOSED TO OTHERS FOR ANY PURPOSE OR USED FOR MANUFACTURING PURPOSES WITHOUT WRITTEN PERMISSION FROM AMPHENOL CANADA CORP.

UNLESS SPECIFIED OTHERWISE DIMENSIONS ARE IN MILLIMETERS REFERENCE IN PARENTHESES GENERAL TOLERANCES 1 DECIMAL PLACE ±0.25 2 DECIMAL PLACE ±0.15 3 DECIMAL PLACE N/A ANGULAR DEGREES ±1° ENG. REL. NO.	DRAWN	P. OU	FEB 07/14	Amphenol High Speed Interconnects A Division of Amphenol Corp. www.amphenolcanada.com 2X4 SFP ULTRAPORT WITH LIGHT PIPE OPTIONS AND EMI SPRING FINGER	DWG. NO. P-UE86-3G4620-X0X61 REV E
	CHECKED	J. SI	NOV03/15		
	M.E. APP'D				
	Q.A. APP'D				
	DWG APP'D	J. SI	NOV03/15		
	MATERIAL AND FINISH	SEE NOTES			
	REF.	ECN Exxxxx			
	THIRD ANGLE PROJECTION		DO NOT SCALE DRAWING	CODE ID NO. 03554	DWG SIZE: A4 SCALE: 1:1 SHEET 2 OF 5

1 2 3 4 5 6

1 2 3 4 5 6

A

B

C

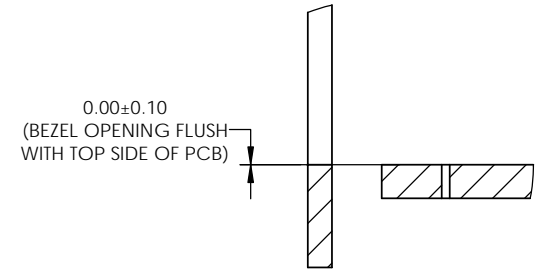
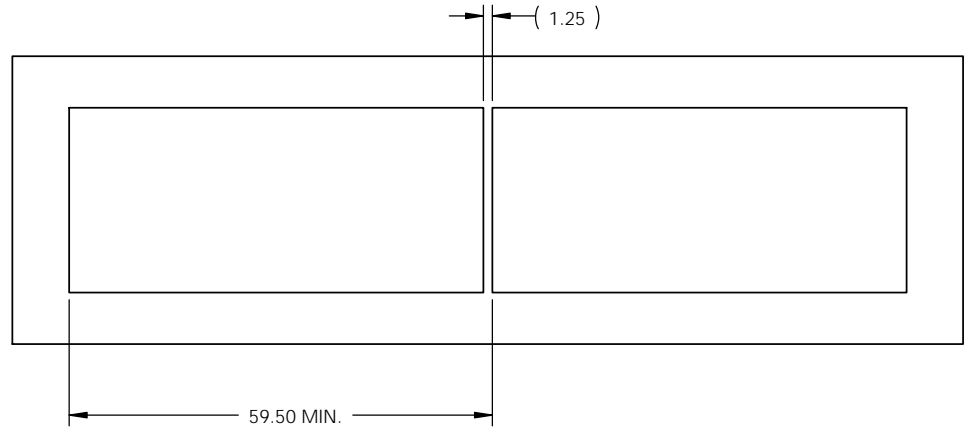
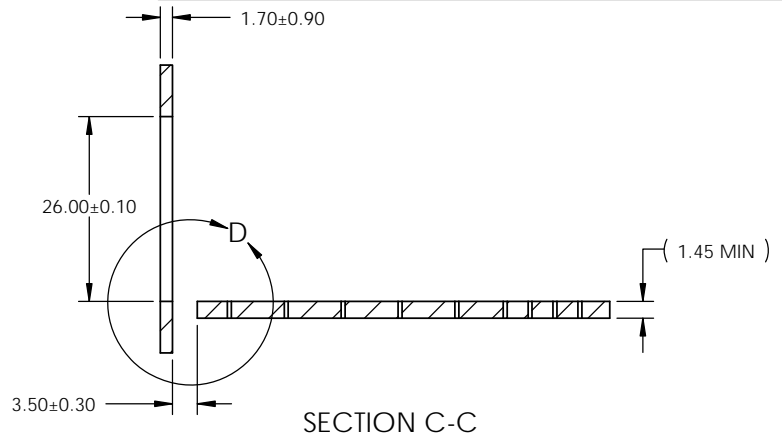
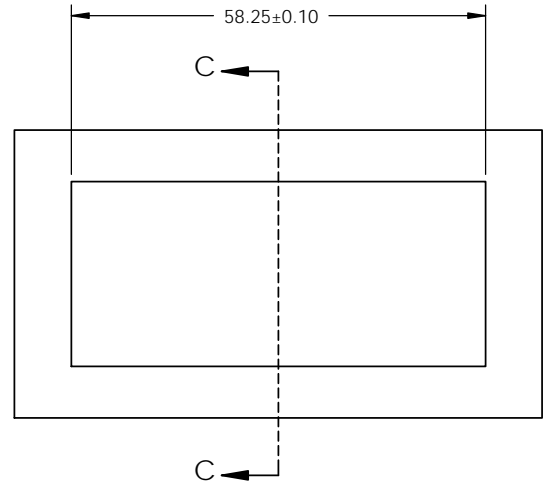
D

A

B

C

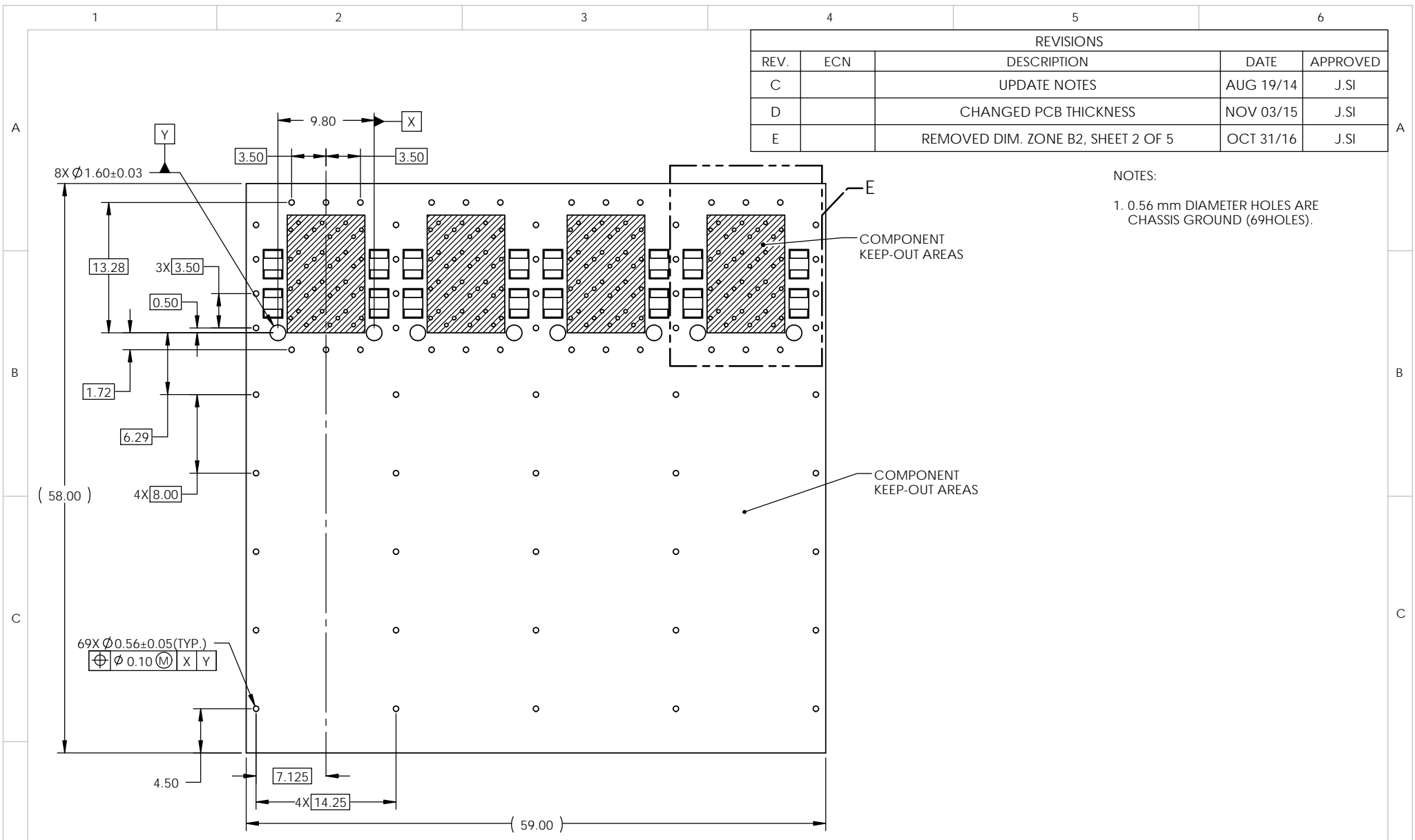
REVISIONS				
REV.	ECN	DESCRIPTION	DATE	APPROVED
C		UPDATE NOTES	AUG 19/14	J.SI
D		CHANGED PCB THICKNESS	NOV 03/15	J.SI
E		REMOVED DIM. ZONE B2, SHEET 2 OF 5	OCT 31/16	J.SI



THIS DOCUMENT CONTAINS PROPRIETARY INFORMATION AND SUCH INFORMATION MAY NOT BE DISCLOSED TO OTHERS FOR ANY PURPOSE OR USED FOR MANUFACTURING PURPOSES WITHOUT WRITTEN PERMISSION FROM AMPHENOL CANADA CORP.

UNLESS SPECIFIED OTHERWISE	DRAWN	P. OU	FEB 07/14	Amphenol High Speed Interconnects A Division of Amphenol Corp. www.amphenolcanada.com 2X4 SFP ULTRAPORT WITH LIGHT PIPE OPTIONS AND EMI SPRING FINGER	DWG. NO. P-UE86-3G4620-X0X61 REV E
DIMENSIONS ARE IN MILLIMETERS	CHECKED	J. SI	NOV03/15		
REFERENCE IN PARENTHESES	M.E. APP'D				
GENERAL TOLERANCES	Q.A. APP'D				
1 DECIMAL PLACE ±0.25	DWG APP'D	J. SI	NOV03/15		
2 DECIMAL PLACE ±0.15	MATERIAL AND FINISH	SEE NOTES			
3 DECIMAL PLACE N/A	REF.	ECN Exxxxx			
ANGULAR DEGREES ±1°	THIRD ANGLE PROJECTION	DO NOT SCALE DRAWING			
ENG. REL. NO.				CODE ID NO. 03554	DWG SIZE: A4 SCALE: 1:1 SHEET 3 OF 5

1 2 3



REVISIONS				
REV.	ECN	DESCRIPTION	DATE	APPROVED
C		UPDATE NOTES	AUG 19/14	J.SI
D		CHANGED PCB THICKNESS	NOV 03/15	J.SI
E		REMOVED DIM. ZONE B2, SHEET 2 OF 5	OCT 31/16	J.SI

NOTES:
 1. 0.56 mm DIAMETER HOLES ARE CHASSIS GROUND (69HOLES).

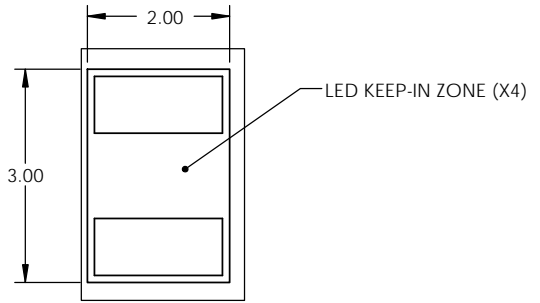
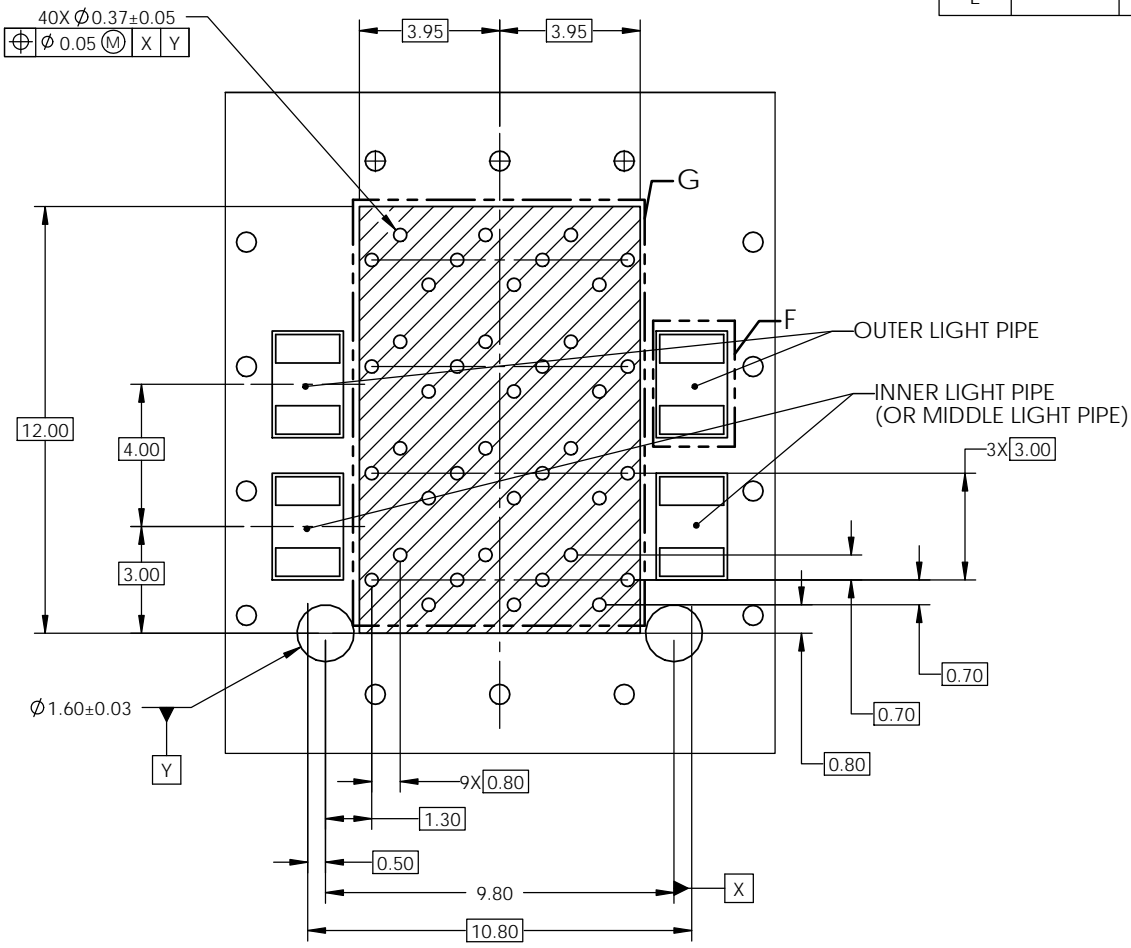
2X4 PCB LAYOUT

THIS DOCUMENT CONTAINS PROPRIETARY INFORMATION AND SUCH INFORMATION MAY NOT BE DISCLOSED TO OTHERS FOR ANY PURPOSE OR USED FOR MANUFACTURING PURPOSES WITHOUT WRITTEN PERMISSION FROM AMPHENOL CANADA CORP.

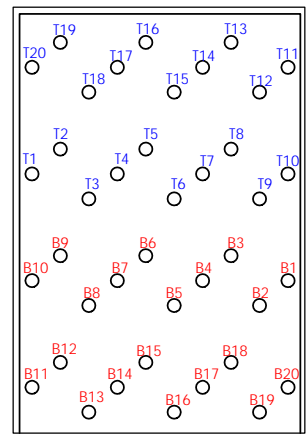
UNLESS SPECIFIED OTHERWISE DIMENSIONS ARE IN MILLIMETERS		DRAWN P. OU FEB 07/14	Amphenol High Speed Interconnects A Division of Amphenol Corp. www.amphenolcanada.com 2X4 SFP ULTRAPORT WITH LIGHT PIPE OPTIONS AND EMI SPRING FINGER
REFERENCE IN PARENTHESES GENERAL TOLERANCES		CHECKED J. SI NOV03/15	
1 DECIMAL PLACE ±0.25		M.E. APP'D	
2 DECIMAL PLACE ±0.15		Q.A. APP'D	
3 DECIMAL PLACE N/A		DWG APP'D J. SI NOV03/15	
ANGULAR DEGREES ±1°		MATERIAL AND FINISH SEE NOTES	
ENG. REL. NO.		REF. ECN Exxxxx	DWG. NO. P-UE86-3G4620-X0X61
		THIRD ANGLE PROJECTION	REV E
		DO NOT SCALE DRAWING	CODE ID NO. 03554 DWG SIZE: A4 SCALE: 2:1 SHEET 4 OF 5

1 2 3 4 5 6

REVISIONS				
REV.	ECN	DESCRIPTION	DATE	APPROVED
C		UPDATE NOTES	AUG 19/14	J.SI
D		CHANGED PCB THICKNESS	NOV 03/15	J.SI
E		REMOVED DIM. ZONE B2, SHEET 2 OF 5	OCT 31/16	J.SI



DETAIL F
SCALE 10 : 1



DETAIL G
SCALE 5 : 1

DETAIL E
SCALE 5 : 1

THIS DOCUMENT CONTAINS PROPRIETARY INFORMATION AND SUCH INFORMATION MAY NOT BE DISCLOSED TO OTHERS FOR ANY PURPOSE OR USED FOR MANUFACTURING PURPOSES WITHOUT WRITTEN PERMISSION FROM AMPHENOL CANADA CORP.

UNLESS SPECIFIED OTHERWISE	DRAWN	P. OU	FEB 07/14
DIMENSIONS ARE IN MILLIMETERS	CHECKED	J. SI	NOV03/15
REFERENCE IN PARENTHESES	M.E. APP'D		
GENERAL TOLERANCES	Q.A. APP'D		
1 DECIMAL PLACE ±0.25	DWG APP'D	J. SI	NOV03/15
2 DECIMAL PLACE ±0.15	MATERIAL AND FINISH	SEE NOTES	
3 DECIMAL PLACE N/A	REF.	ECN Exxxxx	
ANGULAR DEGREES ±1°	THIRD ANGLE PROJECTION	DO NOT SCALE DRAWING	
ENG. REL. NO.			

Amphenol High Speed Interconnects A Division of Amphenol Corp. www.amphenolcanada.com			
2X4 SFP ULTRAPORT WITH LIGHT PIPE OPTIONS AND EMI SPRING FINGER			
DWG. NO.	P-UE86-3G4620-X0X61		REV E
CODE ID NO.	03554	DWG SIZE: A4	SCALE: 2:1 SHEET 5 OF 5

1 2 3