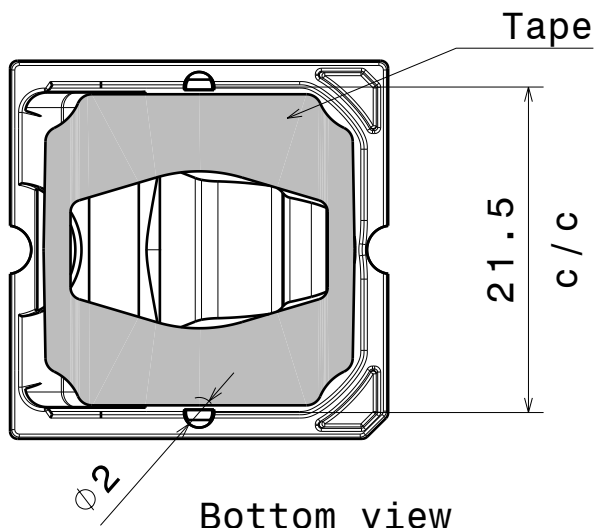
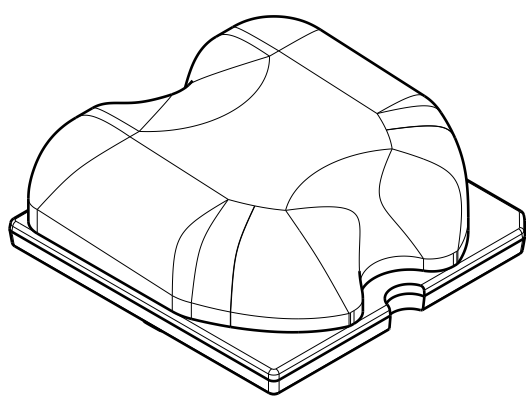


D C B A

4

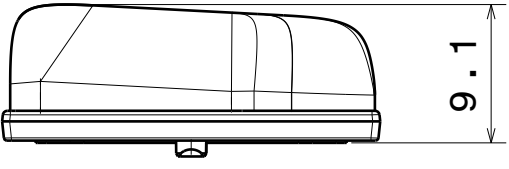


Bottom view

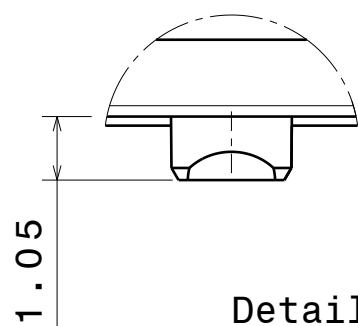


Isometric view

3

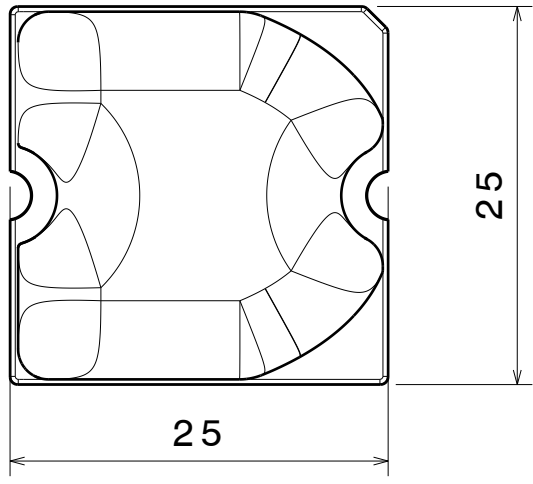


Front view



Detail A

2



Top view

Tolerances if not otherwise shown:  
According to DIN ISO 2768-1  
Linear measures:  
Up to 30mm class M, otherwise class C.  
  
According to DIN ISO 2768-2  
Form and position:  
class L  
  
Control for SPC marked dimensions.

4

3

2

1

|   |  |                     |  |   |  |
|---|--|---------------------|--|---|--|
| This drawing is our property. It can't be reproduced or communicated without our written agreement. |  | <b>LEDIL</b>        |  | Ledil Oy<br>Salorankatu 10<br>FIN 24240 SALO<br>Finland |  |
| DRAWN BY<br><b>as</b>   |  | DATE<br>25.9.2012   |  | DRAWING TITLE<br><b>Mechanical drawing</b>              |  |
| CHECKED BY<br><b>VS</b>   |  | DATE<br>-           |  | SIZE<br><b>A4</b>                                       |  |
| DESIGNED BY<br>-  |  | DATE<br>-           |  | PART NUMBER   |  |
|   |  | SCALE<br><b>2:1</b> |  | WEIGHT<br><b>4,80 g</b>                                 |  |
|   |  |                     |  | REV<br><b>001</b>                                       |  |
|   |  |                     |  | SHEET<br><b>1/1</b>                                     |  |

1

D A