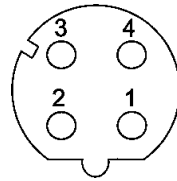


M12 Panel feed-through D-coded



Mating face



D-coding
Mating face
acc. to IEC 61076-2-101



03

Identification	Part No.	Drawing	Dimensions in mm
----------------	----------	---------	------------------

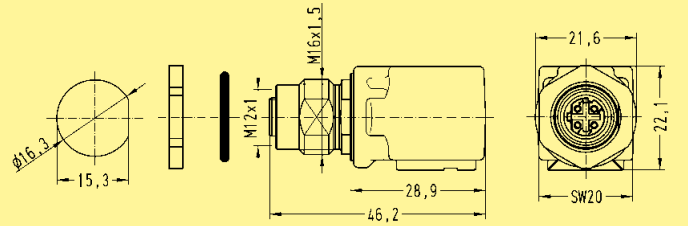
**M12 Female-RJ45
Panel feed-through**



4 poles, D-coding
angled

Panel thickness
min. 2.1 mm
max. 4.5 mm

21 03 381 4400



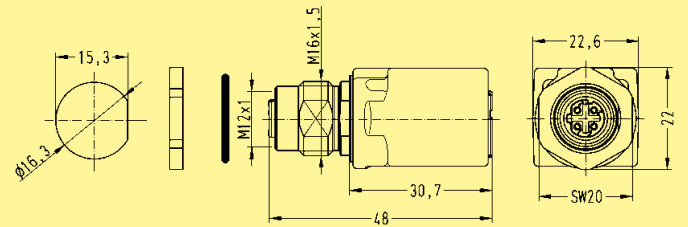
**M12 Female-RJ45
Panel feed-through**



4 poles, D-coding
straight

Panel thickness
min. 2.1 mm
max. 4.5 mm

21 03 381 2400

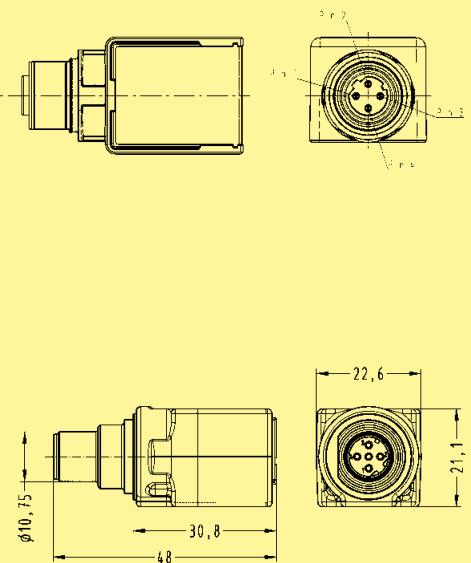


M12 Male-RJ45 Adapter



4 poles, D-coding
straight
(coupler, without thread in the
termination area)

21 03 371 1420



03
84