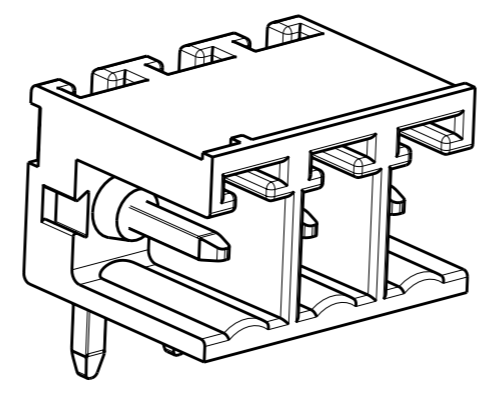
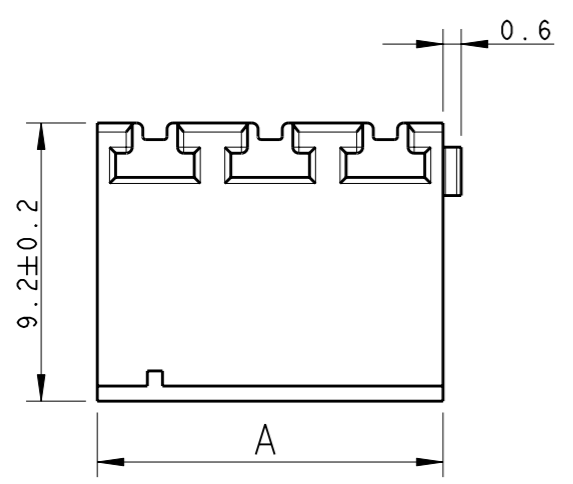
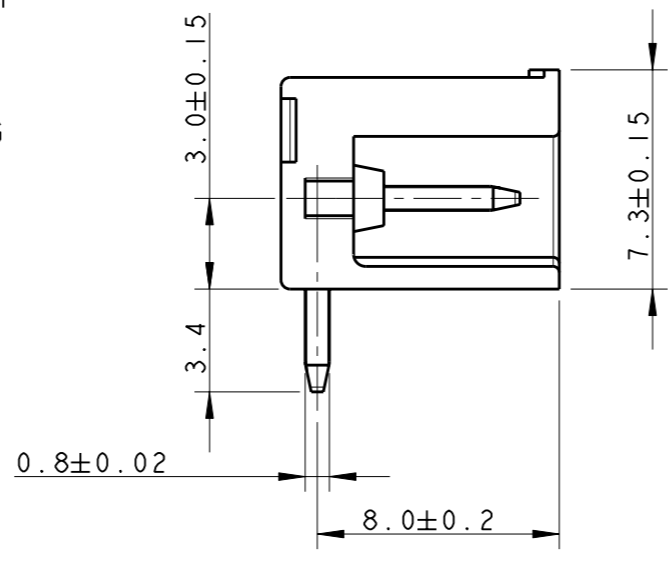
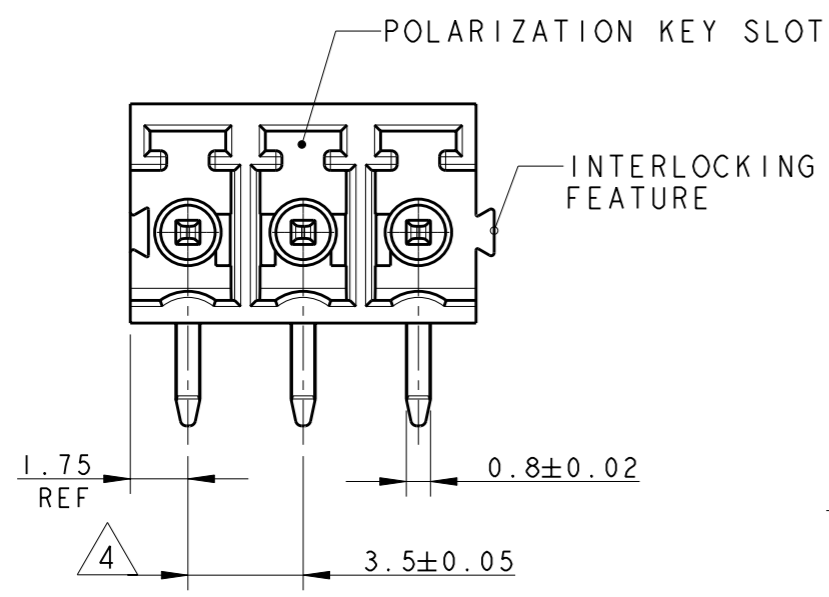


THIS DRAWING IS UNPUBLISHED. RELEASED FOR PUBLICATION 20
 © COPYRIGHT 20 BY TYCO ELECTRONICS CORPORATION. ALL RIGHTS RESERVED.

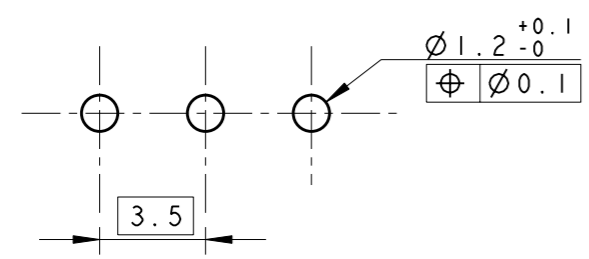
LOC	DIST	REVISIONS			
P	LTR	DESCRIPTION	DATE	DWN	APVD
	B	REVISED PER 0G3B-0119-01	07FEB2002	EZ	DB
	C	REVISED ECO-06-016791	14JUL2006	SW	CR
	D	REVISED ECO-07-000637	09JAN2007	SW	CR



284540-3 AS SHOWN

OBSOLETE	87.5	25	2-284540-5
OBSOLETE	84.0	24	2-284540-4
OBSOLETE	80.5	23	2-284540-3
OBSOLETE	77.0	22	2-284540-2
OBSOLETE	73.5	21	2-284540-1
OBSOLETE	70.0	20	2-284540-0
OBSOLETE	66.5	19	1-284540-9
OBSOLETE	63.0	18	1-284540-8
OBSOLETE	59.5	17	1-284540-7
OBSOLETE	56.0	16	1-284540-6
OBSOLETE	52.5	15	1-284540-5
OBSOLETE	49.0	14	1-284540-4
OBSOLETE	45.5	13	1-284540-3
	42.0	12	1-284540-2
OBSOLETE	38.5	11	1-284540-1
OBSOLETE	35.0	10	1-284540-0
OBSOLETE	31.5	9	284540-9
OBSOLETE	28.0	8	284540-8
OBSOLETE	24.5	7	284540-7
	21.0	6	284540-6
	17.5	5	284540-5
	14.0	4	284540-4
	10.5	3	284540-3
	7.0	2	284540-2
	A	NO OF POSN	PART NUMBER

- 1 MATERIALS AND FINISH
HOUSING: PA 6.6, UL 94-V0, COLOR GREEN
TERMINAL: PHOSPHOR BRONZE, TIN PLATED
- 2 END-TO-END STACKABLE W/INTERLOCK WITHOUT LOSS OF CENTERLINE SPACING
- 3 SUITABLE FOR 1.6-2.4 mm. PC BOARD THICKNESS
- 4 NOT CUMULATIVE TOLERANCE



RECOMMENDED PC BOARD LAYOUT

THIS DRAWING IS A CONTROLLED DOCUMENT FOR TYCO ELECTRONICS CORPORATION. IT IS SUBJECT TO CHANGE AND THE CONTROLLING ENGINEERING ORGANIZATION SHOULD BE CONTACTED FOR THE LATEST REVISION.		DWN E. ZANOLINI 07FEB2002	BUCHANAN Tyco Electronics Harrisburg, PA 17105-3608		
DIMENSIONS: mm		CHK E. ZANOLINI 07FEB2002			
TOLERANCES UNLESS OTHERWISE SPECIFIED:		APVD D. BIEVENOUR 07FEB2002	NAME TERMINAL BLOCK, HEADER ASSEMBLY 90° OPEN ENDS STACKING W/INTERLOCK, 3.5mm PITCH		
0 PLC ±.3 1 PLC ±.3 2 PLC ±.25 3 PLC ±. 4 PLC ±. ANGLES ±.2		PRODUCT SPEC 108-20166	SIZE A3	CAGE CODE 00779	DRAWING NO C-284540
MATERIAL		APPLICATION SPEC 114-20079	RESTRICTED TO		
FINISH		WEIGHT -	SCALE 4:1		
CUSTOMER DRAWING		SHEET 1 OF 1		REV D	