

THIS DRAWING IS UNPUBLISHED.

RELEASED FOR PUBLICATION

20

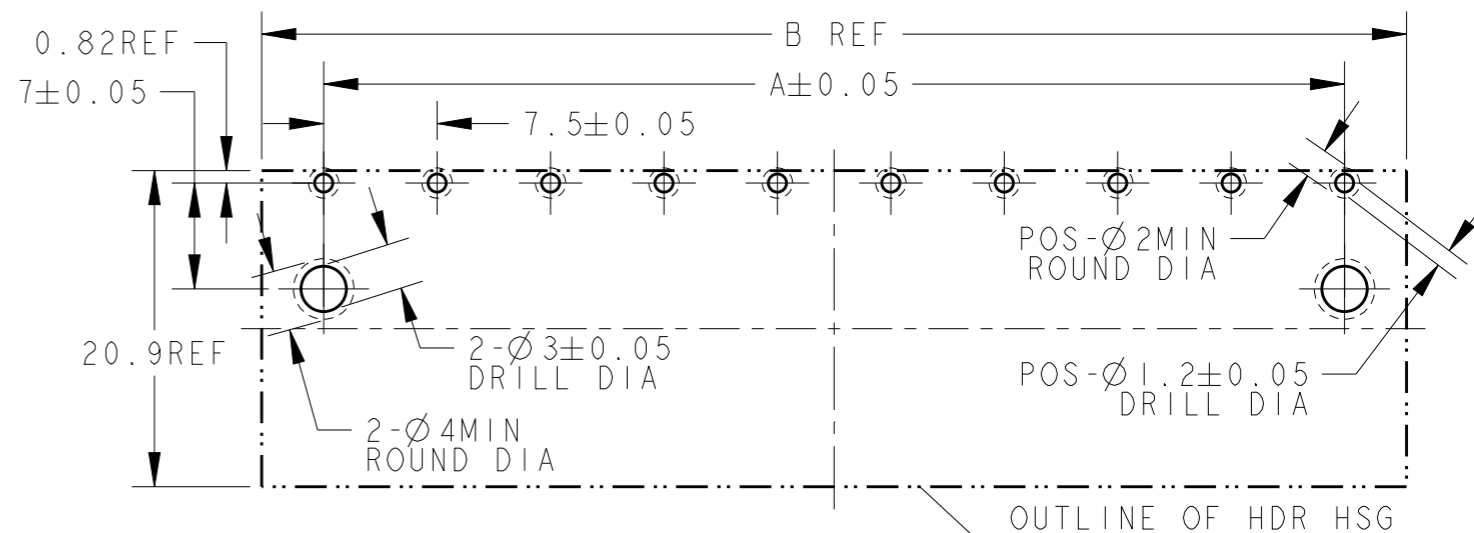
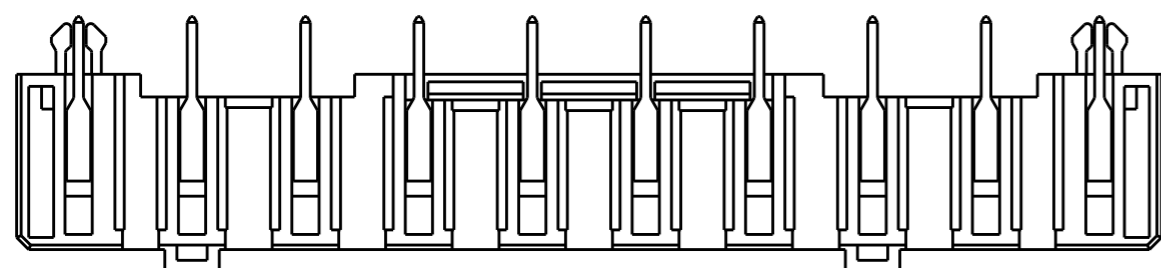
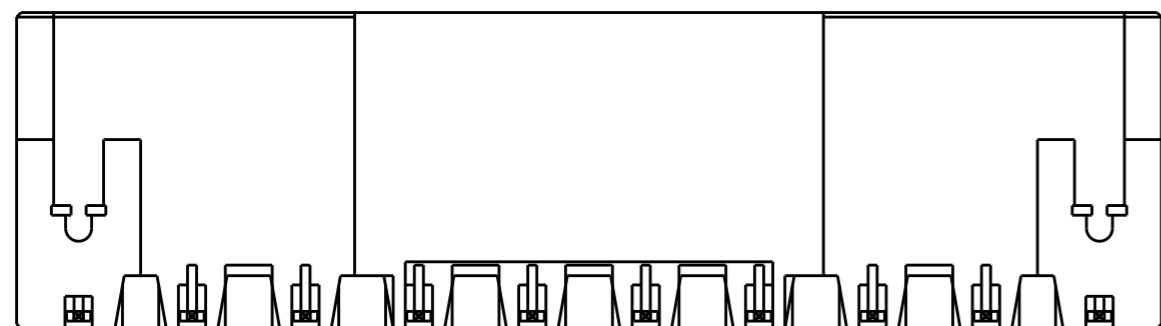
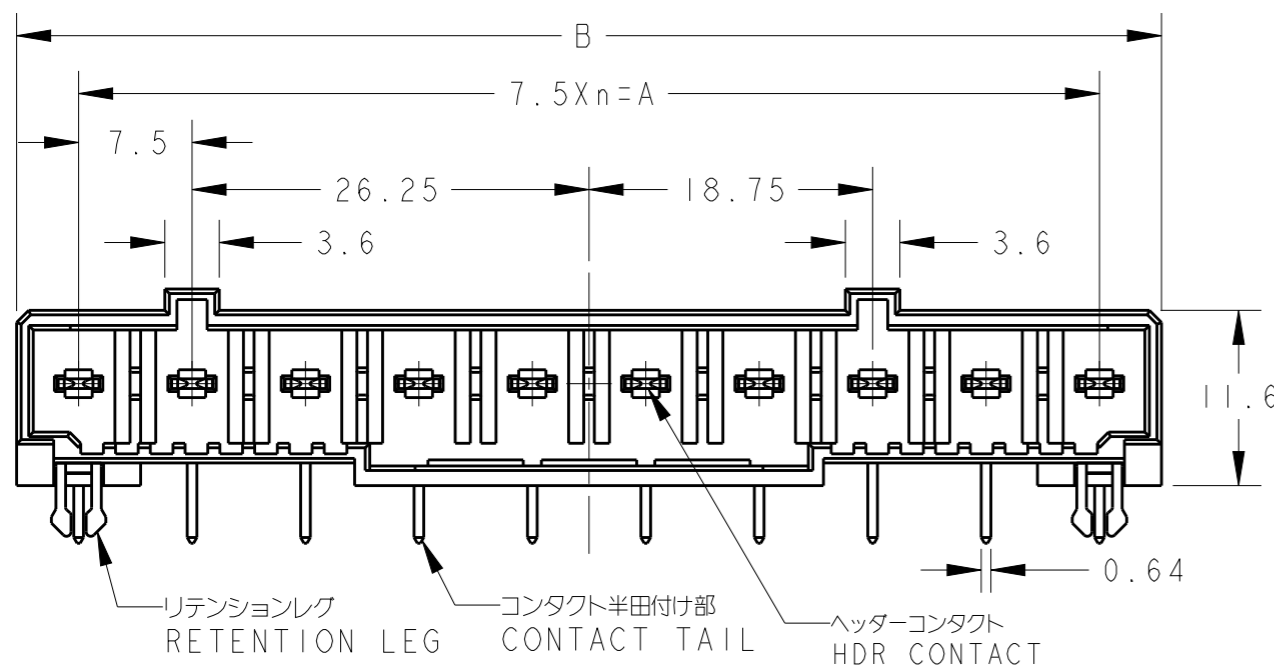
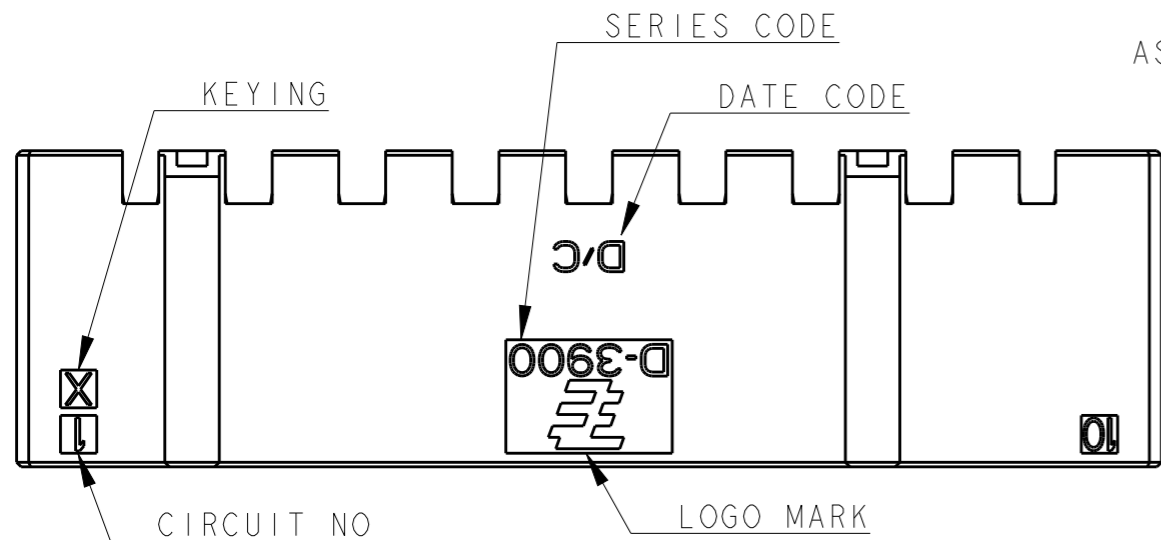
© COPYRIGHT 20 BY Tyco Electronics Japan G.K. ALL RIGHTS RESERVED.

LOC J DIST -

REVISIONS

P	LTR	DESCRIPTION	DATE	DWN	APVD
	C	REVISED	15APR2014	H.O	N.Y

AS SHOWN : 1-2013519-0 (10POS,X-KEY)



RECOMMEND PC BOARD HOLE PATTERN : CONNECTOR MOUNT SIDE (NOT ACCUMULATE TOLERANCE)
PC BOARD THICKNESS : 1.6±0.1

推奨基板取付寸法 : コネクタ搭載面 (非累積公差)
PC基板厚 : 1.6±0.1

- 材料 : ハウジング : 熱可塑性ポリエステル樹脂
コンタクト : 銅合金
リテンションレグ : 銅合金
- めっき : (コンタクト接触部) : ニッケル下地めっきの上に金めっき0.38μm以上
- めっき : リテンションレグとコンタクト半田付け部 : ニッケル下地めっきの上に錫めっき

- MATERIAL HOUSING: THERMO PLASTIC POLYESTER
CONTACT: COPPER ALLOY
RETENTION LEG: COPPER ALLOY
- FINISH (CONTACT AREA): 0.38μm MIN GOLD PLATED OVER NICKEL
- FINISH (RETENTION LEG & CONTACT TAIL) : TIN PLATED OVER NICKEL

10	Y	9	67.5	75.7	BLACK	2-2013519-0
10	X	9	67.5	75.7	BLACK	1-2013519-0
7/10	Z	9	67.5	75.7	BLACK	9-2013519-0
3	Z	2	15.0	23.2	BLACK	3-2013519-3
3	Y	2	15.0	23.2	NATURAL	4-2013519-3
3	X	2	15.0	23.2	BLACK	1-2013519-3
POS	KEY	n	A	B	COLOR	PART NO

THIS DRAWING IS A CONTROLLED DOCUMENT.

DWN T. KUDO 21APR2008
CHK S. MANABE 21APR2008
APVD S. MANABE 21APR2008

PRODUCT SPEC 108-78400, 5349
APPLICATION SPEC 114-5148

WEIGHT -

CUSTOMER DRAWING

SCALE 2:1 SHEET 1 OF 3 REV C

TE Connectivity

DYNAMIC D3900S 7.5mm PITCH
HDR ASSY (H-TYPE)
3-10POS TYPE-A

SIZE A3 CAGE CODE 00779 DRAWING NO G-2013519

THIS DRAWING IS UNPUBLISHED.

RELEASED FOR PUBLICATION

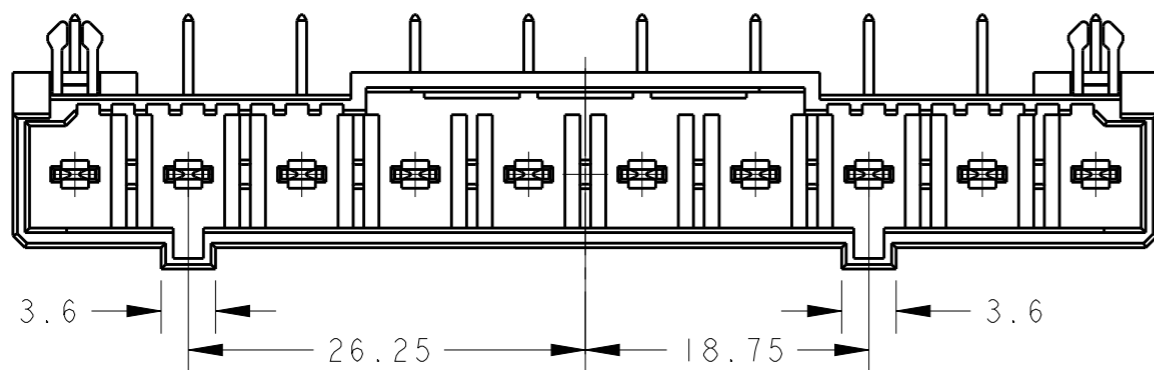
20

© COPYRIGHT 20

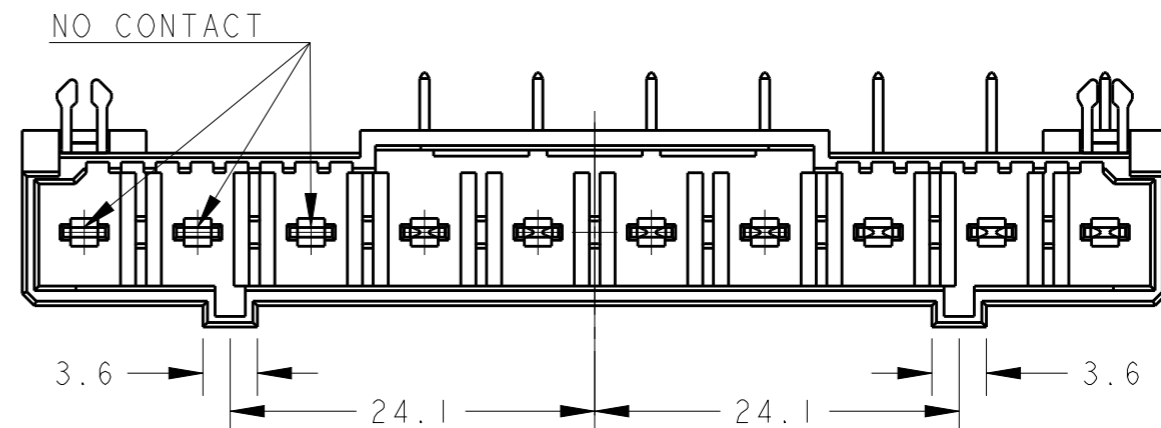
BY Tyco Electronics Japan G.K.

ALL RIGHTS RESERVED.

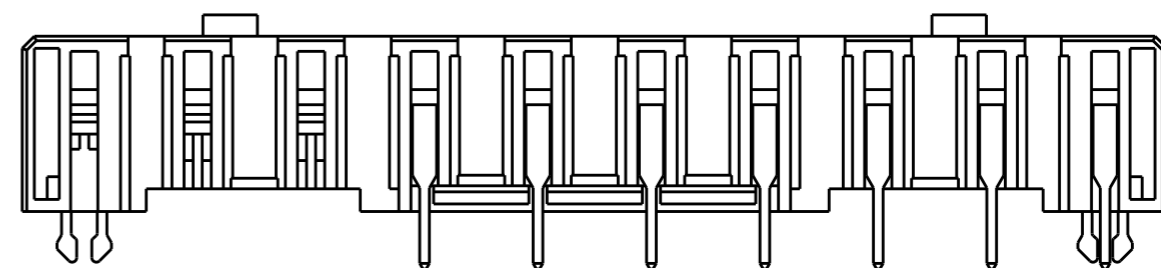
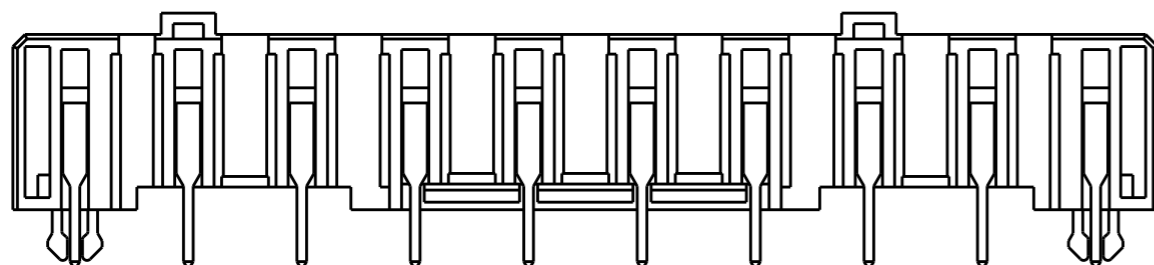
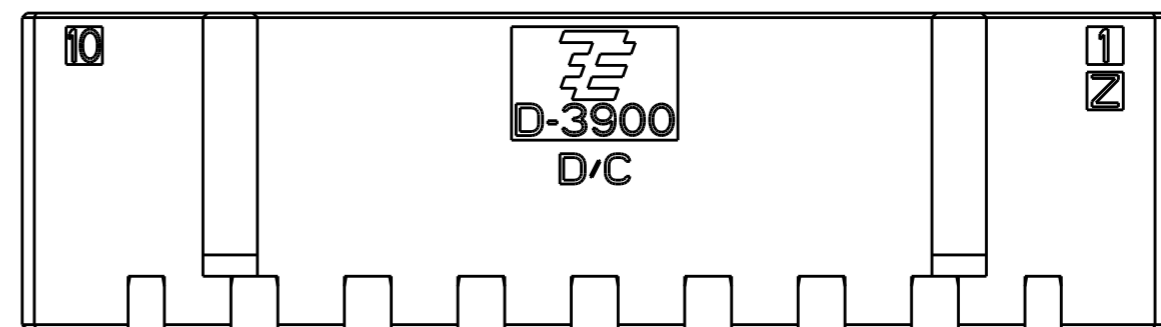
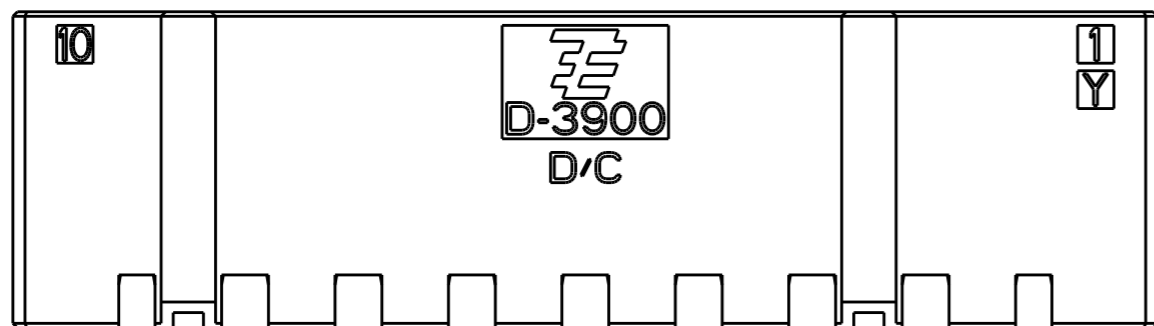
LOC	DIST	REVISIONS			
P	LTR	DESCRIPTION	DATE	DWN	APVD
J	-	SEE SHEET 1			




10POS(Y-KEY):2-2013519-0



7/10POS(Z-KEY)
CIRCUIT 1~7:9-2013519-0



THIS DRAWING IS A CONTROLLED DOCUMENT.		DWN T. KUDO 21APR2008	 TE Connectivity	
DIMENSIONS: mm		CHK S. MANABE 21APR2008		
TOLERANCES UNLESS OTHERWISE SPECIFIED:		APVD S. MANABE 21APR2008	NAME DYNAMIC D3900S 7.5mmPITCH HDR ASSY (H-TYPE) 3-10POS TYPE-A	
0 PLC ±-		PRODUCT SPEC 108-78400, 5349	RESTRICTED TO	
1 PLC ±-		APPLICATION SPEC 114-5148	SIZE A3	CAGE CODE 00779
2 PLC ±-		WEIGHT -	DRAWING NO C-2013519	
3 PLC ±-		CUSTOMER DRAWING	SCALE 2:1	SHEET 2 OF 3
4 PLC ±-			REV C	
ANGLES ±-				
MATERIAL -				
FINISH -				

SEE SHEET 1 OF 3

THIS DRAWING IS UNPUBLISHED.

RELEASED FOR PUBLICATION

20

© COPYRIGHT 20

BY Tyco Electronics Japan G.K.

ALL RIGHTS RESERVED.

LOC
J

DIST
-

REVISIONS

P

LTR

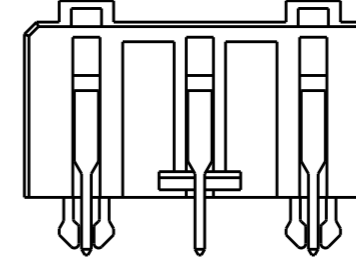
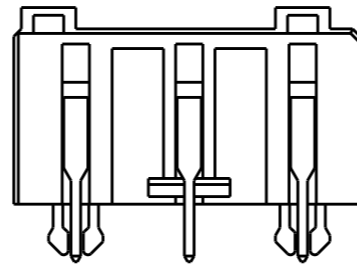
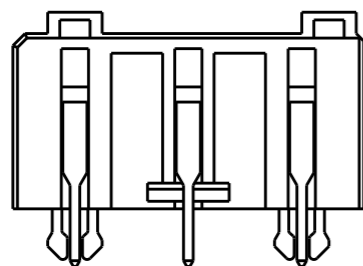
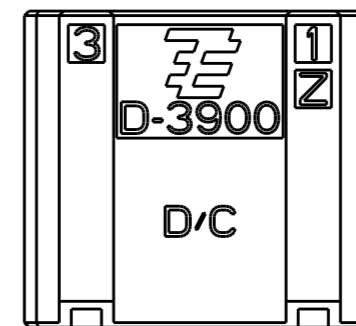
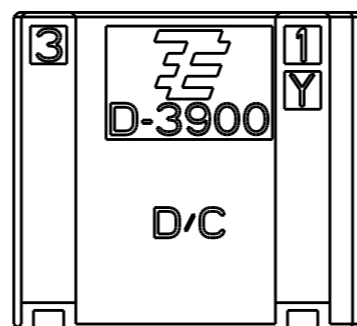
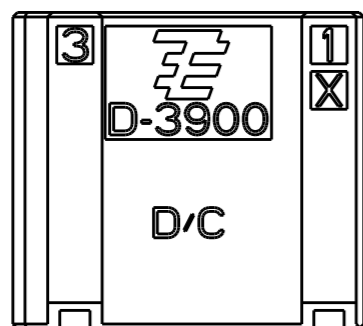
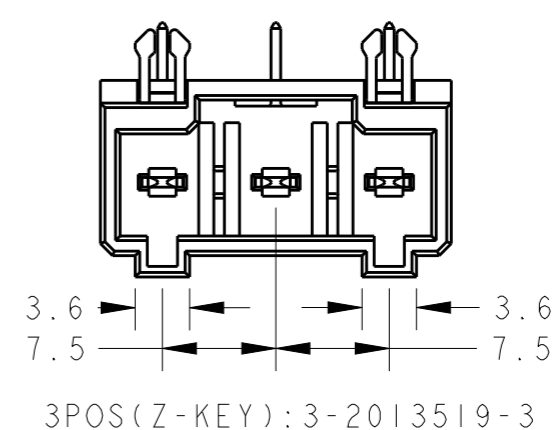
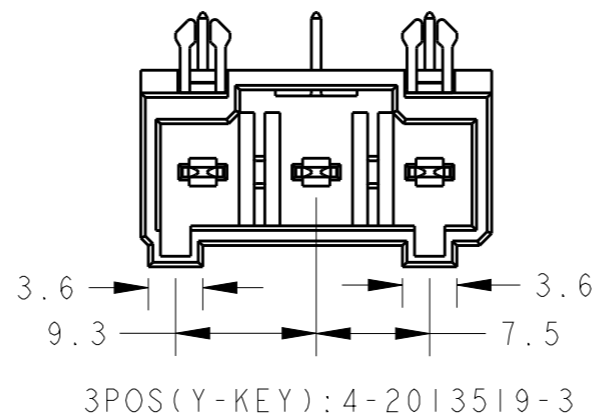
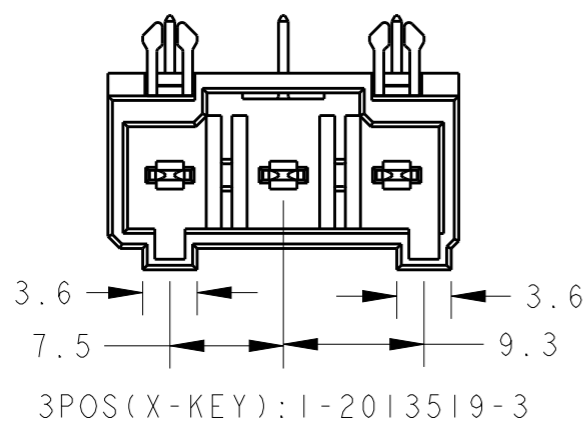
DESCRIPTION

DATE

DWN

APVD

SEE SHEET 1



THIS DRAWING IS A CONTROLLED DOCUMENT.

DIMENSIONS:
mm

TOLERANCES UNLESS OTHERWISE SPECIFIED:

- 0 PLC ±-
- 1 PLC ±-
- 2 PLC ±-
- 3 PLC ±-
- 4 PLC ±-
- ANGLES ±-
- FINISH -

MATERIAL

FINISH

DWN T. KUDO 21APR2008

CHK S. MANABE 21APR2008

APVD S. MANABE 21APR2008

PRODUCT SPEC

108-78400, 5349

APPLICATION SPEC

114-5148

WEIGHT -

CUSTOMER DRAWING



TE Connectivity

NAME
DYNAMIC D3900S 7.5mmPITCH
HDR ASSY (H-TYPE)
3-10POS TYPE-A

SIZE	CAGE CODE	DRAWING NO	RESTRICTED TO
------	-----------	------------	---------------

A3	00779	C-2013519	-
----	-------	-----------	---

SCALE	SHEET	OF	REV
2:1	3	3	C

SEE SHEET 1 OF 3