

NOTES

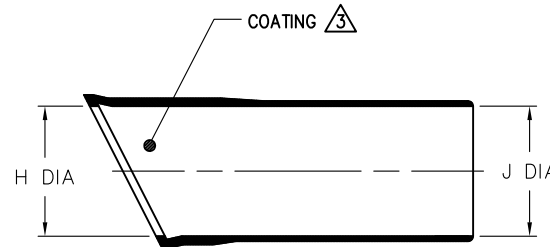
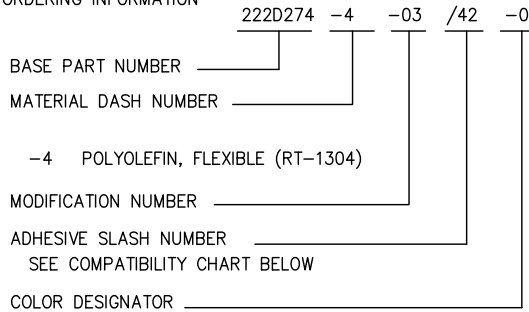
1. ALL DIMENSIONS ARE IN $\frac{\text{INCHES}}{\text{[MILLIMETERS]}}$

2. DIMENSIONS APPEARING IN TABLE ARE AS FOLLOWS:

- a - AS SUPPLIED
- b - AFTER UNRESTRICTED RECOVERY

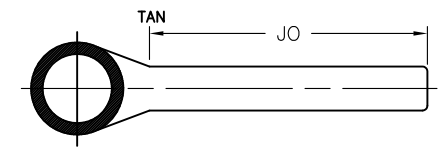
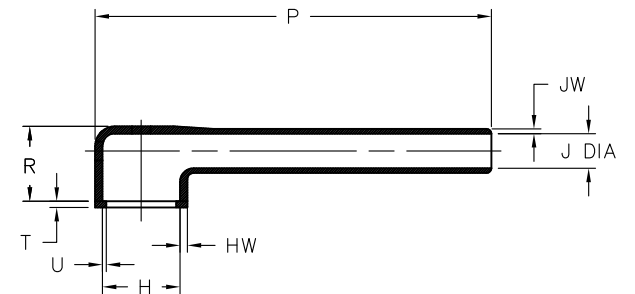
3. COATING (ADHESIVE): IS OPTIONAL AS SUPPLIED DIMENSIONS APPEARING IN TABLE ARE FOR UNCOATED PARTS. WHEN COATING IS ADDED, ENTRY DIAMETER WILL BE REDUCED BY .06 [1.5] MAX.

4. ORDERING INFORMATION



AS SUPPLIED

DIMENSIONING AND TOLERANCING PER ASME Y14.5M (ISO STANDARDS)		
REVISIONS		
LTR	DESCRIPTION	DATE
A	REVISED PER ECO-12-009120	5/14/2012



AFTER UNRESTRICTED RECOVERY

PART DESCRIPTION	H		J		P ±10% b	R REF b	T REF b	JO ±10% b	U REF b	HW ±20% b	JW ±20% b
	MIN	MAX	MIN	MAX							
	a	b	a	b							
222D274-4-03	2.50 [63,5]	1.62 [41,1]	2.50 [63,5]	.56 [14,2]	4.50 [114,3]	1.16 [29,6]	.12 [3,0]	2.48 [62,9]	.065 [1,6]	.09 [2,28]	.055 [1,39]

COMPATIBILITY CHART

MATERIAL DASH NO.	ADHESIVE (COATING) SLASH NO.	ADHESIVE (COATING) S NO.
-4	/42;	S-1017;

UNLESS OTHERWISE SPECIFIED DIMENSIONS ARE INCHES. METRIC DIMENSIONS ARE IN BRACKETS.

DECIMAL TOLERANCES
.XXX ± 0.005 [0.13 mm]
.XX ± 0.01 [0.25 mm]
.X ± 0.1 [0.50 mm]

ANGLE TOLERANCE
.X ± 1 DEG.

TYCO ELECTRONICS RESERVES THE RIGHT TO AMEND THIS DRAWING AT ANY TIME. USERS SHOULD EVALUATE THE SUITABILITY OF THE PRODUCT FOR THEIR APPLICATION.

DRAWN
MMAZARIEGOS

APPROVED
DHURRELL

TE TE Connectivity

TITLE
BOOT, 90 DEGREE,
WITH LIP



SIZE B CODE IDENT. NO. 06090 DWG. NO. 222D274-4-03