

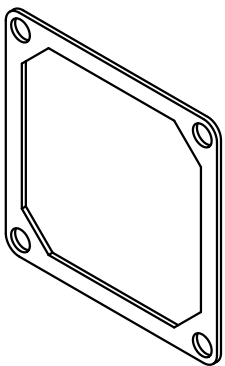
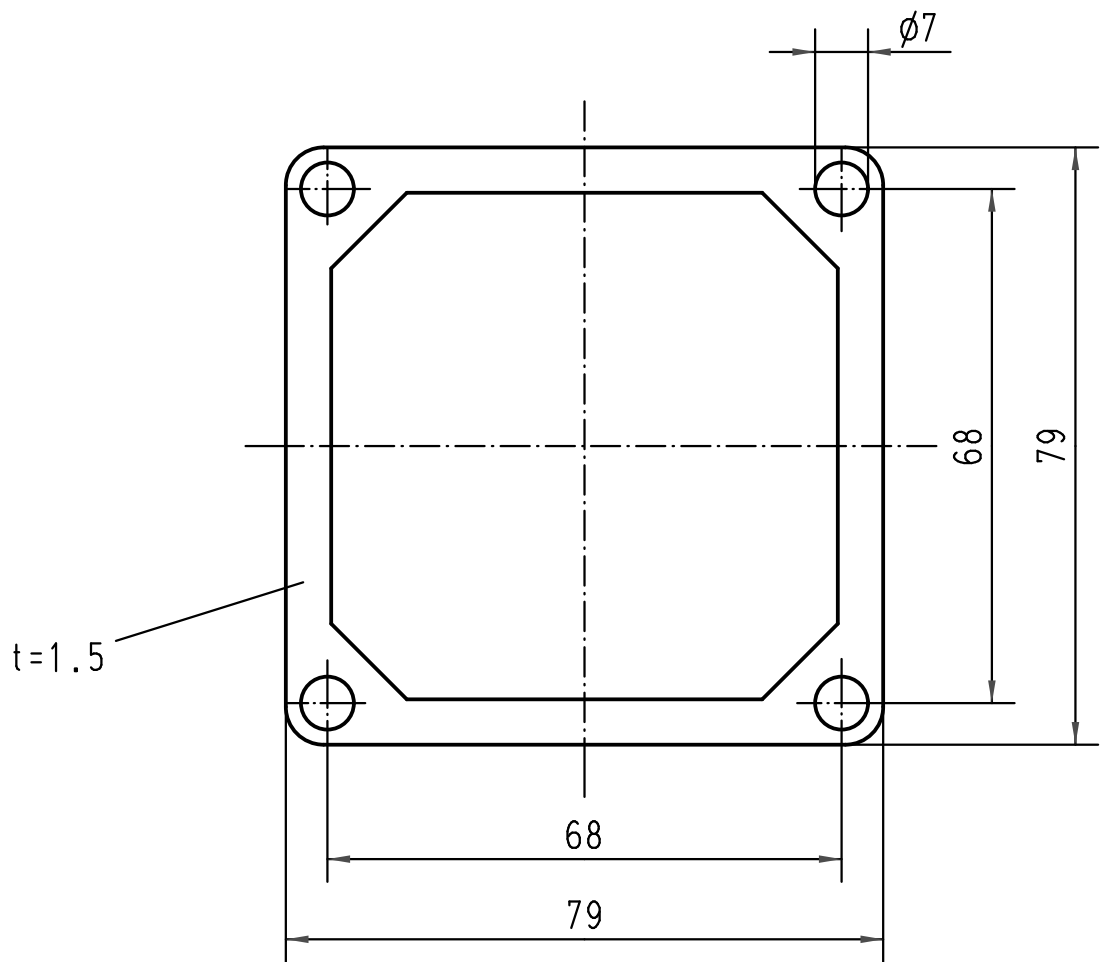
1 2 3 4 5 6

A

B

C

D



| | | | | | | | | |
|---|----------|------|--------------------------------|----------|-------|--|--|--|
| All Dimensions in mm Original Size DIN A 4 | | | Techn. Character. | | | Nicht tolerierte Maße/Free size tolerances | | |
| | | | | Dat. | Name | Maßstab/Scale 1:1 | Flanschgummidichtung / gasket für Han 10 B-agw Bohrungsabstand $\phi 68$ / for Han 10 B-agw drilling distance $\phi 68$ | |
| | | | Detail. | 28.11.96 | ML | | | |
| | | | Insp. | | HERB. | | | |
| | | | Stand. | | | | | |
| 413164 | 30.08.07 | ML | HARTING Electric GmbH & Co. KG | | | | TB 09 30 000 9903 | |
| 25892 | 06.05.99 | Gü | D-32339 Espelkamp | | | | | |
| Mod. | Dat. | Name | Sub. | | | | | |
| | | | | | | | Blatt/page | |