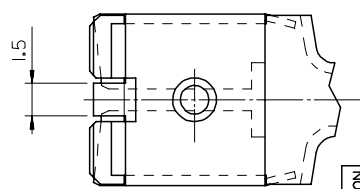
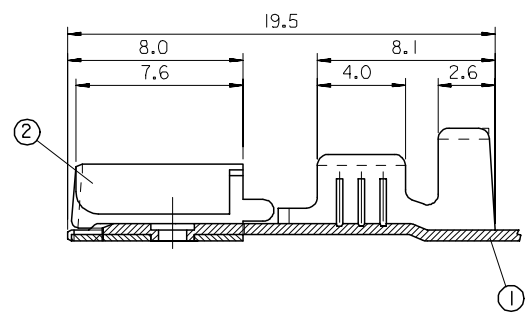
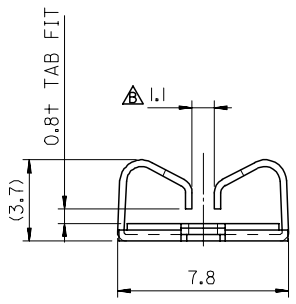
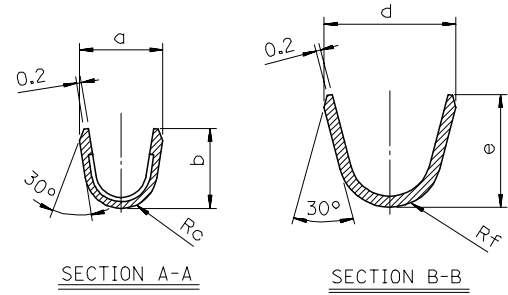
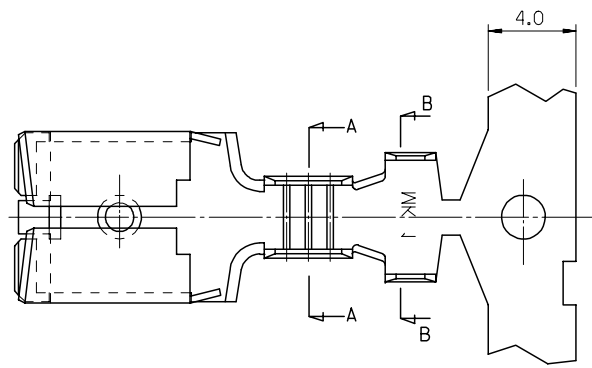


DWG. NO. SD-35430-001
 SIMILAR ITEM
 PROJECT NO.
 DO NOT SCALE DRAWING DIMENSION IN METRIC

8 7 6 5 4 3 2 1

F
 E
 D
 C
 B
 A



PART NO.	a	b	Rc	d	e	Rf	WIRE RANGE (mm ²)	Q'TY/REEL
35430-1700	S	3.1	3.0	1.0	4.1	4.0	0.3 ~ 0.5	
-1800	M	3.5	3.5	1.6	5.5	5.2	0.85 ~ 1.25	
-1900	L	5.5	4.8	2.1	6.6	6.5	2.0 ~ 3.0	

	PART NO.	PART NAME	MATERIAL	FINISH
①	35428-6702 -6802 -6902	POWMATE FEMALE TER'L-BODY (S,M,L)	COPPER ALLOY 0.5†	PRE-TIN PLATING
②	35429-6000	POWMATE FEMALE TER'L-CONTACT	COPPER ALLOY 0.3†	UNPLATING

CHANGED OF DIMENSION ECN NO. KOR2006-0103 DRWN: EDKIM 06/02/21 CHK: BC.YOON 06/02/21 APPR:SH-CHOI 06/02/21	QUALITY SYMBOLS MAJOR CRITICAL REFERENCE	GENERAL TOLERANCES: (UNLESS SPECIFIED)		SCALE 5:1	DESIGN UNITS <input checked="" type="checkbox"/> mm <input type="checkbox"/> INCH	THIRD ANGLE PROJECTION	DIMENSIONS: <input type="checkbox"/> mm <input type="checkbox"/> INCH <input checked="" type="checkbox"/> mm ONLY		SHT	REV	
		4 PLACES ±0. ±-	3 PLACES ±0. ±-	2 PLACES ±0. ±-	1 PLACE ±0.3 ±-	ANGULAR: ± 3 °	DRAWN BY & DATE JH.OH 96/10/13		TITLE: POWMATE FEMALE TER'L 2 PIECE(S,M,L)		
		DRAFT WHERE APPLICABLE MUST REMAIN WITHIN DIMENSIONS				APPROVED BY & DATE		MOLEX INCORPORATED		SHEET NO 1/1	
		THIS DRAWING CONTAINS INFORMATION THAT IS PROPRIETARY TO MOLEX INCORPORATED AND SHOULD NOT BE USED WITHOUT WRITTEN PERMISSION.				CAD FILENAME SD35430.MI		MATERIAL NO. SEE TABLE		DRAWING NO. SD-35430-001	

8 7 6 5 4 3 2 1 KOREA MX-A3

MATERIAL		SEE TABLE	
GENERAL TOLERANCE		DIMENSION : *0.3	
ANGLE :		DRAWN BY 96.10.13 J.K.OH	
DIMENSION CLASSIFICATION		CHK'D BY	
<input checked="" type="checkbox"/> : CRITICAL <input type="checkbox"/> : MAJOR <input type="checkbox"/> : REFERENCE		APP'D BY	
A NEW RELEASE		971129	
LTR REVISION RECORD		DATE	
REVISE ONLY ON CAD SYSTEM		ASS'Y PART	
		DESCRIPTION	
		ENG. NO.	
		TITLE: POWMATE FEMALE TER'L 2PIECE(S,M,L)	
		SHEET 1/1	
		ENG. NO. SD 35430-1700,1800,1900	
		REV A	