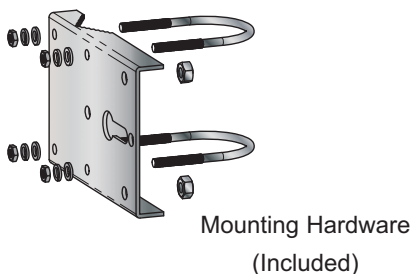
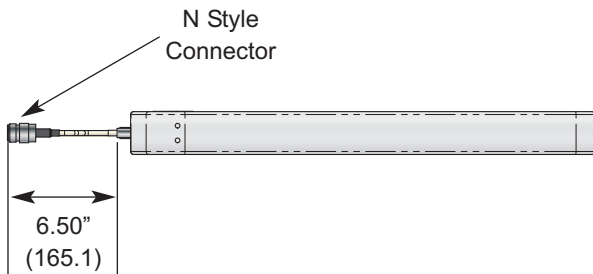
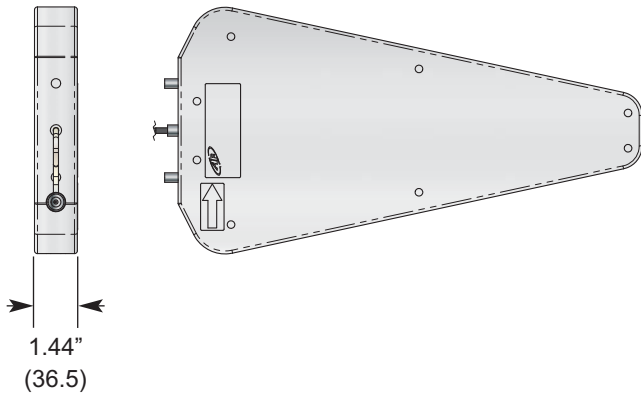
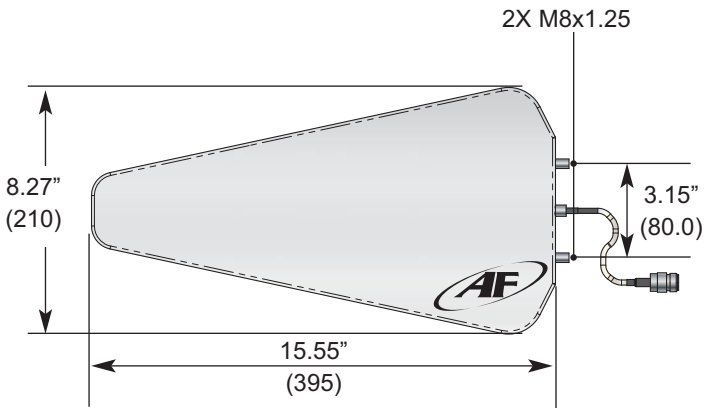


## Product Dimensions



## Description



The Antenna Factor Log Periodic antenna is designed for long-distance directional communication over a wide range of frequencies. The DB1-LP antenna provides gain and directivity comparable to a Yagi, but in a much smaller overall form factor, and over a considerably wider range of frequencies. Constructed of UV stabilized materials, the antenna is suitable for long-term use in indoor or outdoor environments. The antenna includes complete mounting hardware for standard masts.

\*NOTE\* Use of these antennas may result in TX and RX emission levels in excess of legal limits.

## Features

- High gain
- Wide bandwidth
- Fully weatherized
- N female connector
- Rugged & damage-resistant
- Excellent performance over common frequency ranges

## Electrical Specifications

- Recmd. Freq. Range 824-960MHz  
1.71-2.17GHz  
2.40-2.48GHz
- Polarization Vertical
- VSWR  $\leq 1.5$  typ. at center
- Impedance 50 ohms
- Gain 8.5dBi (Band 1)  
9.0dBi (Bands 2 and 3)
- 3dB H Beamwidth 57°, 53°, 50° (Bands 1, 2, 3 resp.)
- 3dB V Beamwidth 85°, 70°-80°, 70° (Bands 1, 2, 3 resp.)
- Max. Power 100W
- Connector N-style female
- Mounting Bracket with U-bolts,  
1.58"-1.97"(40-50mm) mast
- Weight 2.4lbs (1.1kg)
- Wind Velocity 75mph (120kph)
- Front/Back Ratio  $\geq 20$ dB

## Ordering Information

- ANT-DB1-LP-RM-01-N (with N female connector)  
Visit [connectorcity.com](http://connectorcity.com) for cable assemblies

## VSWR Graph

