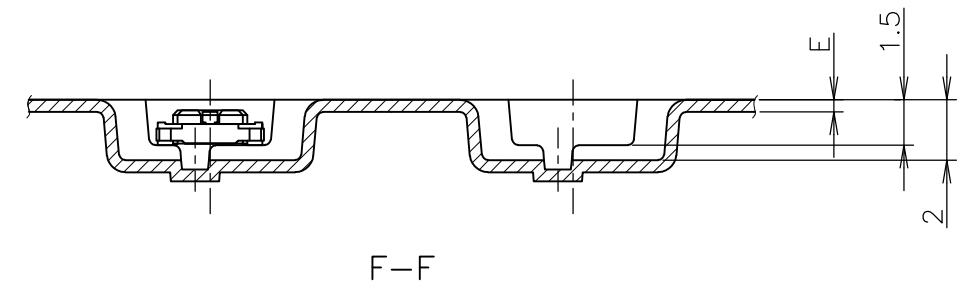
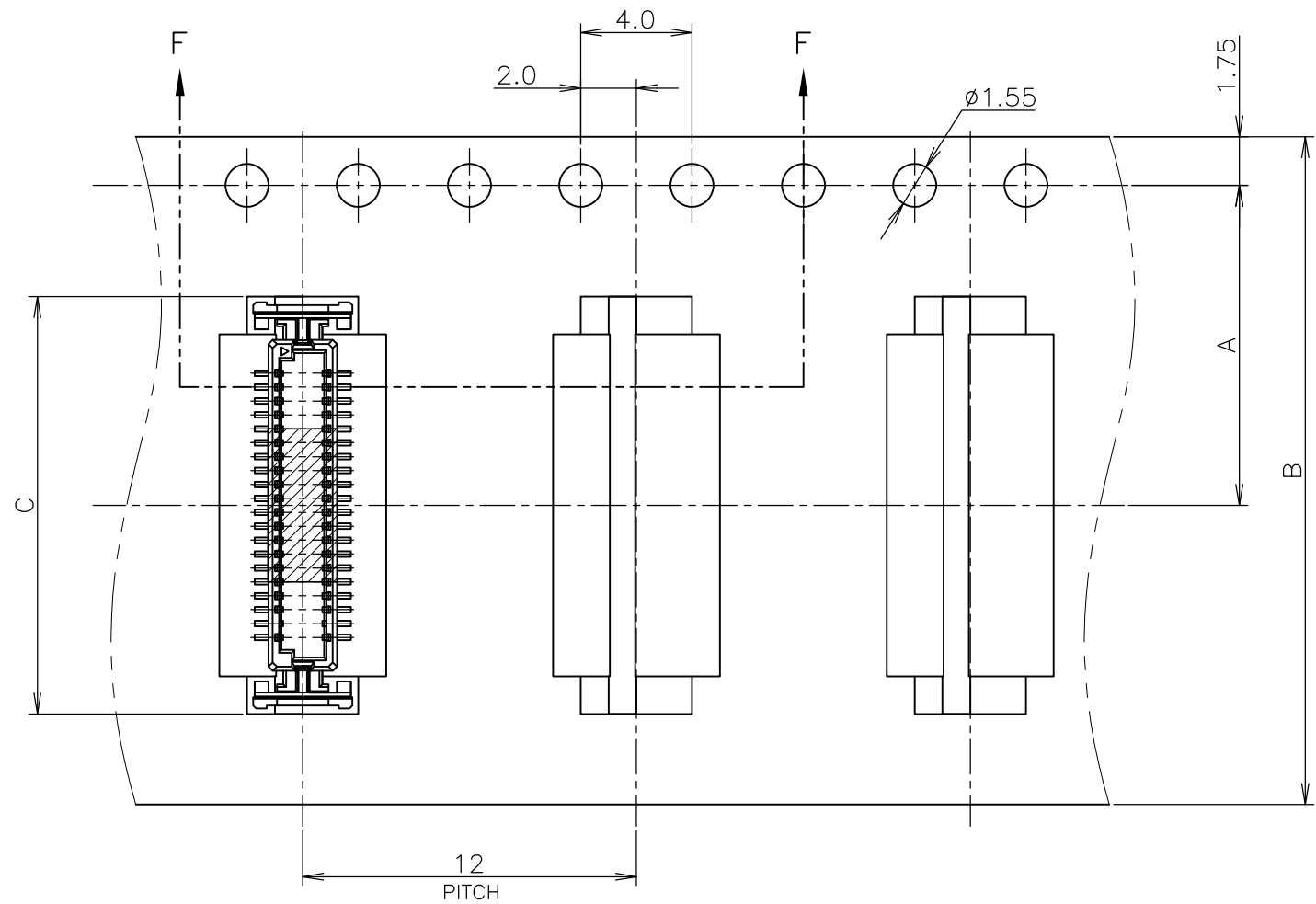
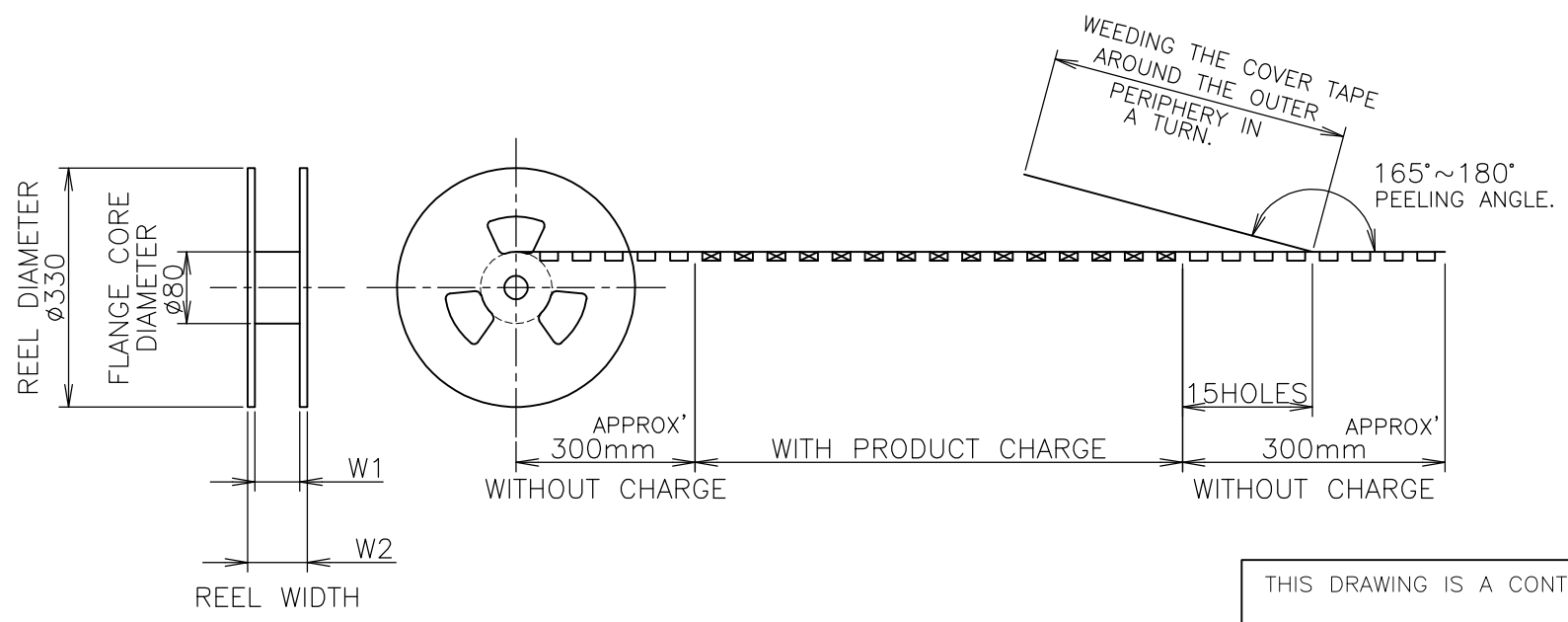


LOC ES	DIST	REVISIONS 变更			DATE	DWN	APVD
		P	LTR	DESCRIPTION			
			B1	REVISED	09SEP2010	B.L	S.Y



TOP OF REEL

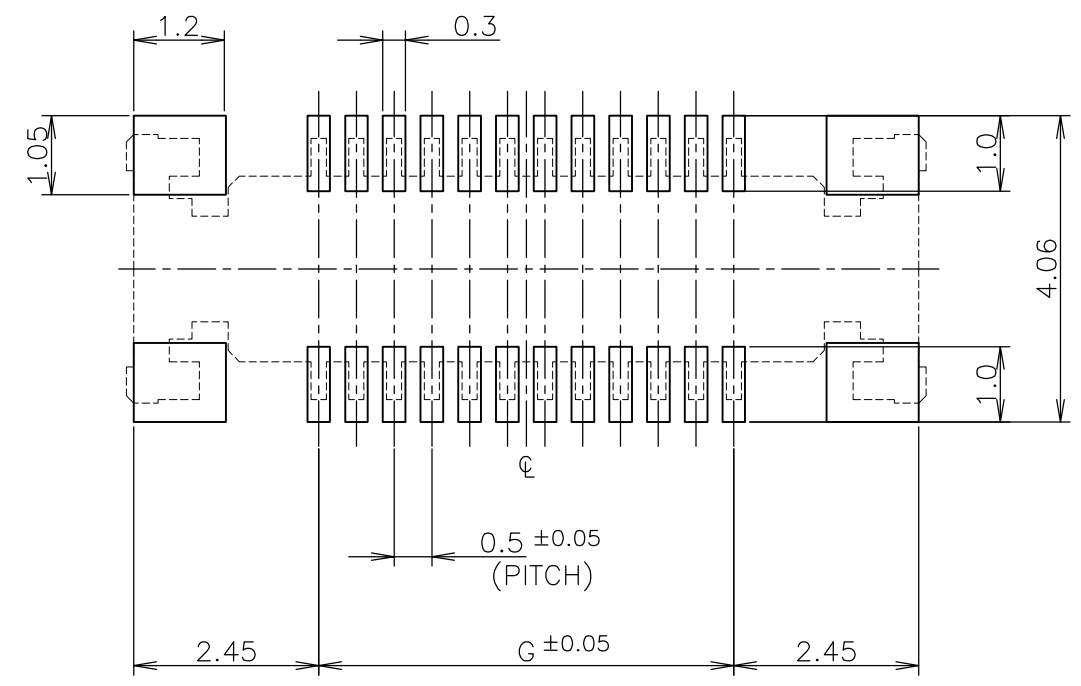
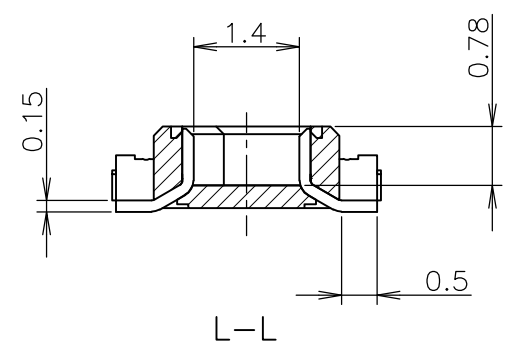
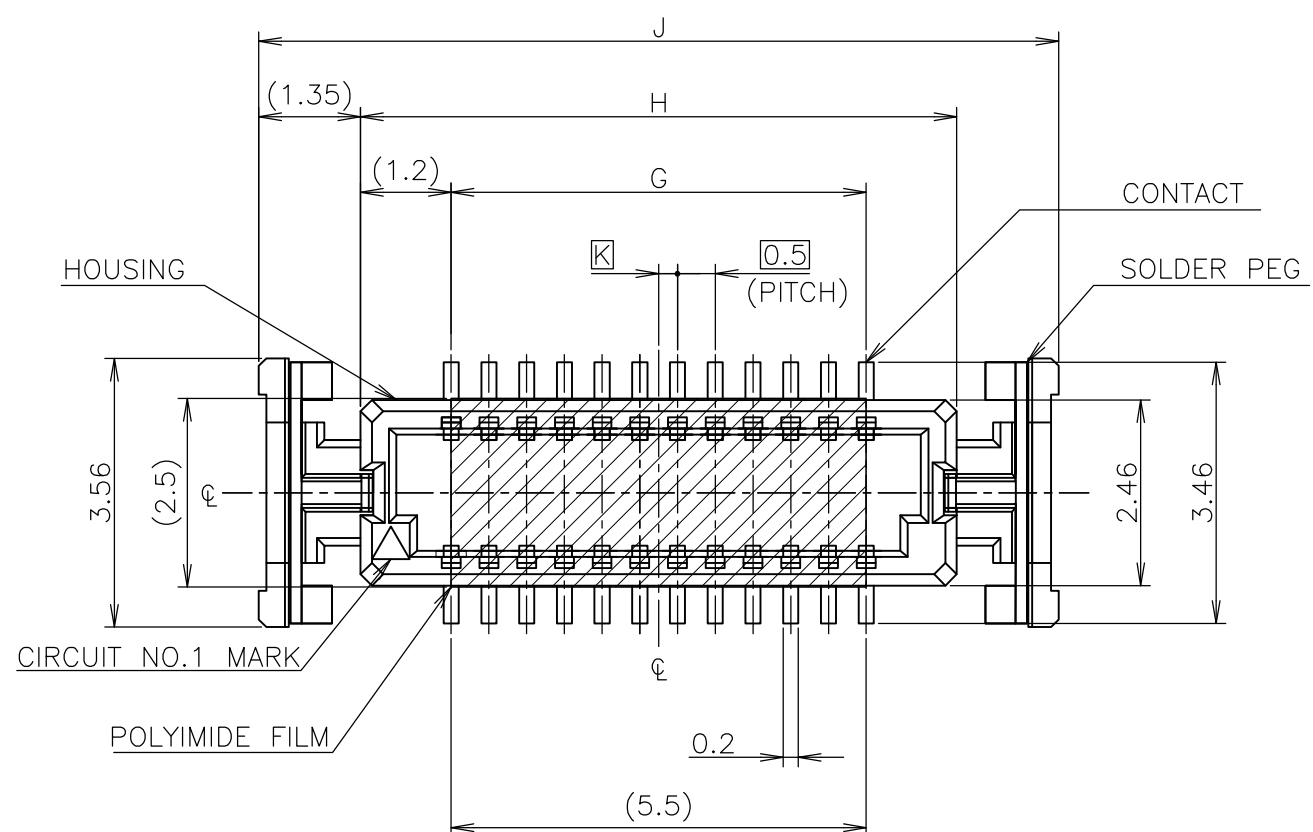


28.4	24.4	0.4	15.0	24	11.5	1500	40	4-5353515-5
28.4	24.4	0.4	15.0	24	11.5	1500	40	4-5353515-0
28.4	24.4	0.4	12.5	24	11.5	1500	30	3-5353515-0
20.4	16.4	0.4	9.75	16	7.5	1500	20	2-5353515-0
W2	W1	E	C	B	A	QTY/REEL	POS	TAPING P/N

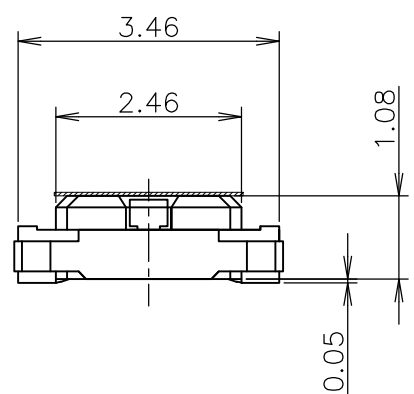
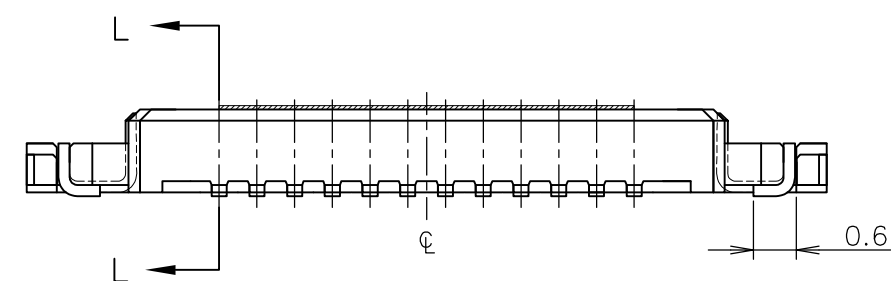
INSTRUCTION SHEET
 411-5781

THIS DRAWING IS A CONTROLLED DOCUMENT.		DWN BILL LV 09SEP2010	Tyco Electronics Shanghai, P.R.China, 200233	
DIMENSIONS: 单位: 耗 mm		CHK MARTIN LI 09SEP2010	NAME STEVEN YAO	
TOLERANCES UNLESS OTHERWISE SPECIFIED: 一般公差		APVD STEVEN YAO 09SEP2010	PRODUCT SPEC 108-60048	
0 PLC ± 0.2 1 PLC ± 0.2 2 PLC ± 0.2 3 PLC ± 0.2 4 PLC ± 0.2 ANGLES ± 3'		APPLICATION SPEC 取付適用規格		
MATERIAL 材料	FINISH 仕上	WEIGHT	SIZE A3	CAGE CODE 00779
CUSTOMER DRAWING		DRAWING NO G-5353515	RESTRICTED TO	
SCALE 尺度 4:1		SHEET 1 OF 2	REV B1	

P	LTR	DESCRIPTION	DATE	DWN	APVD
-	-	SEE SHEET 1	-	-	-



(T=0.6 MIN.)
P.C. BOARD LAYOUT (REF.)



- 1 MATING COUNTER PART NUMBER: 5353511
- △ MATERIAL
HOUSING: HIGH HEAT-RESISTED
CONTACT: COPPER ALLOY (t=0.15), Au PLATING.
SOLDER PEG: COPPER ALLOY (t=0.15), TIN PLATING.
- △ CONTACT: Au PLATING (0.00076mm)

△	0.25	14.6	12.8	9.5	40	4-5353515-5
	0.25	14.6	12.8	9.5	40	4-5353515-0
	--	12.1	10.3	7	30	3-5353515-0
	0.25	9.6	7.8	4.5	20	2-5353515-0
	K	J	H	G	POS.	PART NO.

THIS DRAWING IS A CONTROLLED DOCUMENT.

DIMENSIONS: 单位: 耗 mm	TOLERANCES UNLESS OTHERWISE SPECIFIED: 一般公差
	0 PLC ± 0.2
	1 PLC ± 0.2
	2 PLC ± 0.2
	3 PLC ± 0.2
	4 PLC ± 0.2
	ANGLES ± 3'
MATERIAL 材料	FINISH 仕上
△	△ △

INSTRUCTION SHEET
411-5781

DWN
CHK
APVD
PRODUCT SPEC
製品規格
APPLICATION SPEC
取付適用規格
WEIGHT

Tyco Electronics
Tyco Electronics
Shanghai, P.R.China, 200233

NAME
名称
ON TAPING EMBOSS
0.5mm PITCH FS CONN. TAB ASSEMBLY
WITH KEY & WITHOUT BOSS & POLYIMIDE FILM ⊗

SIZE	CAGE CODE	DRAWING NO 番号	RESTRICTED TO
A3	00779	G-5353515	-

CUSTOMER DRAWING SCALE 10:1 SHEET 2 OF 2 REV B1