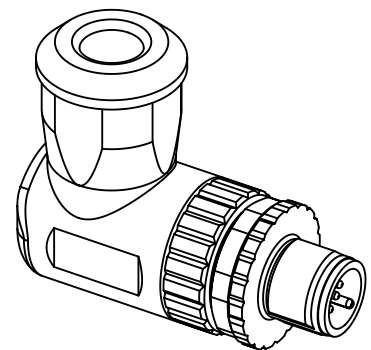



| | |
|-------------------------|----------------------------------|
| conductor cross section | 1.5mm ² max. AWG16 |
| cable outside diameter | 4 - 8mm |



| | | | | | | | |
|---|--|---|-----------------------|--------------------------|---------------------------|--|------------------------|
|  | All Dimensions in mm Original Size DIN A4 | | Scale 2:1 | Free size tol. | | Ref. | |
| | All rights reserved Department EC PD - DE | | Created by EISFELD | Inspected by WELLMANN | Standardisation KOHLER | Date 2015-05-11 | State Final Release |
| HARTING Electronics GmbH D-32339 Espelkamp | | Title HARTING M12 screw angled 5-pole A-coded male | | | | Doc-Key / ECM-Nr. 100619611/UGD/000/A 500000088343 | |
| | | Type TB | Number 21033193501 | | | Rev. A | Page 1/1 |