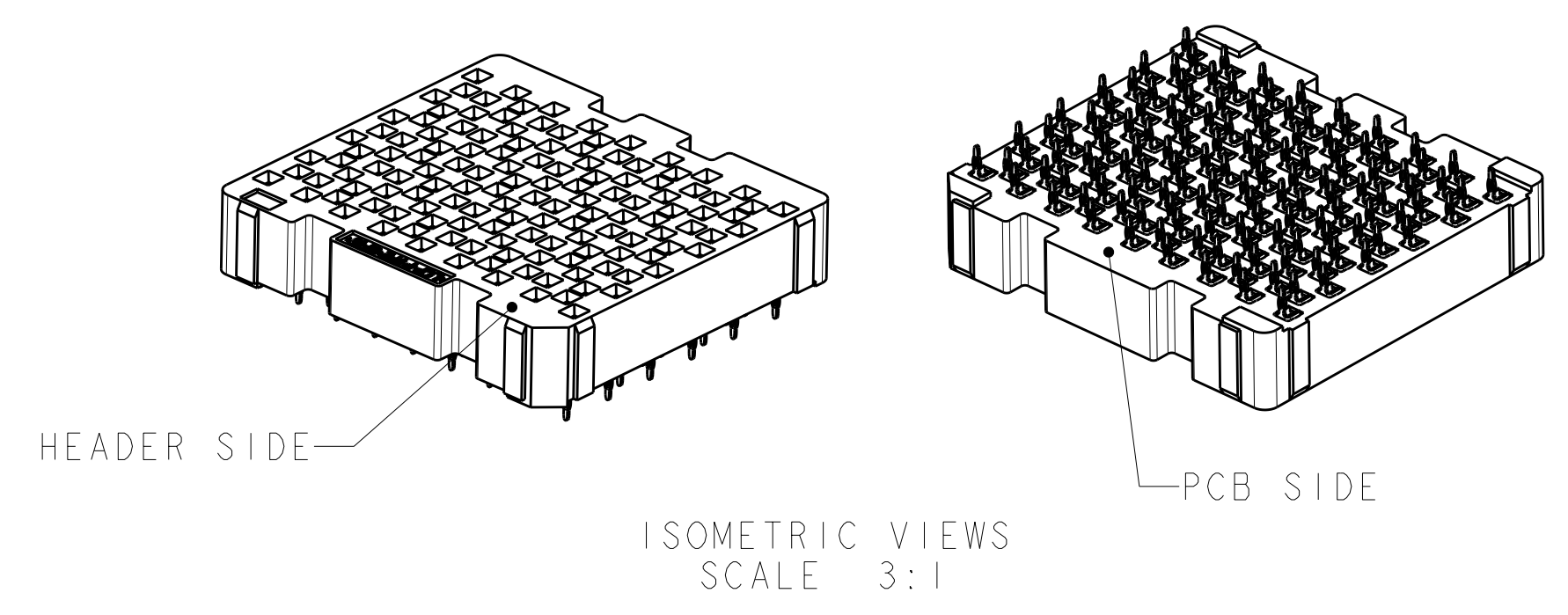
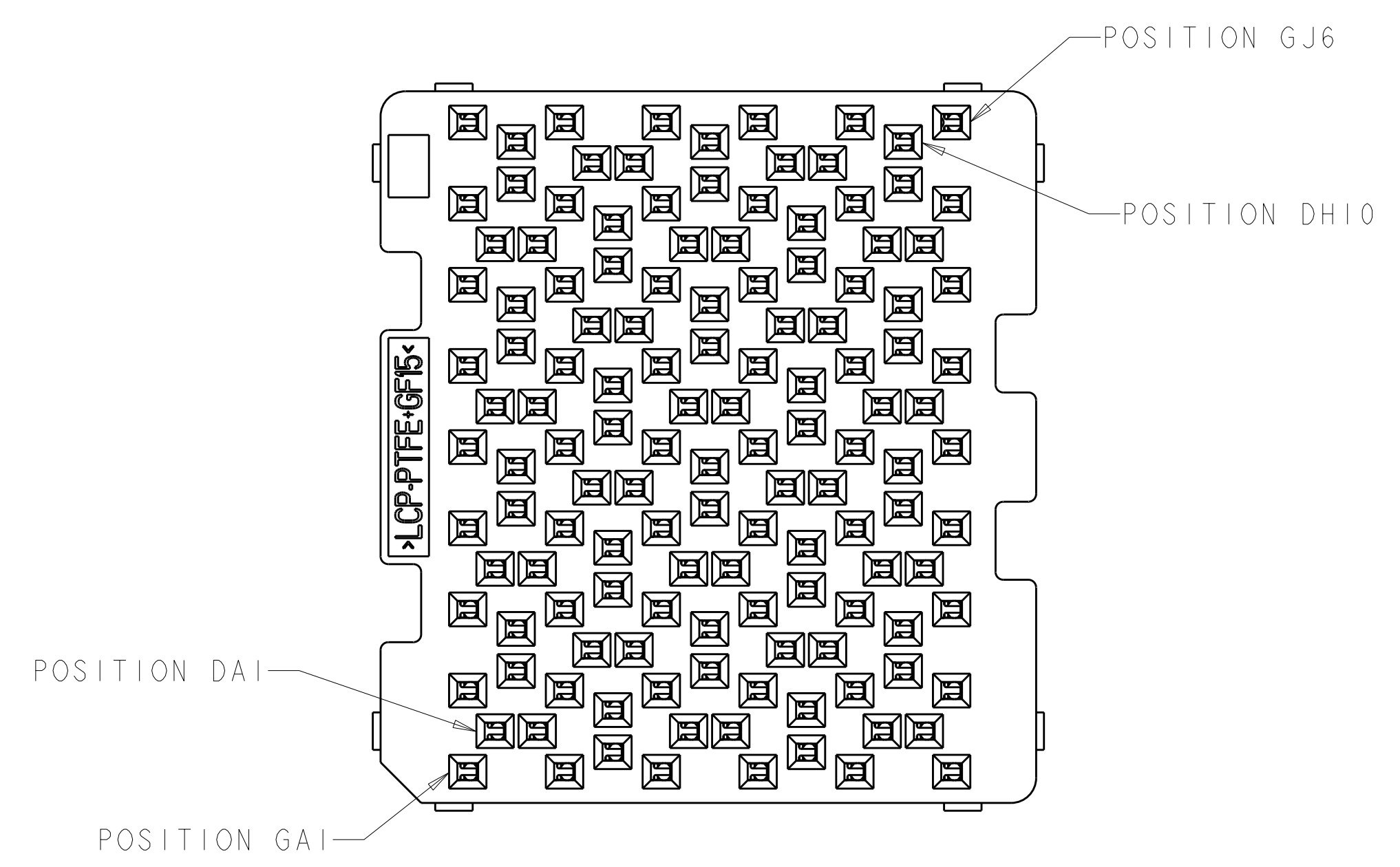


LOC	DIST	REVISIONS			
		REV	DATE	BY	APPV
GP	00	3	10 JAN 2011	WS	MH
		4	10 MAY 2012	REH	DT

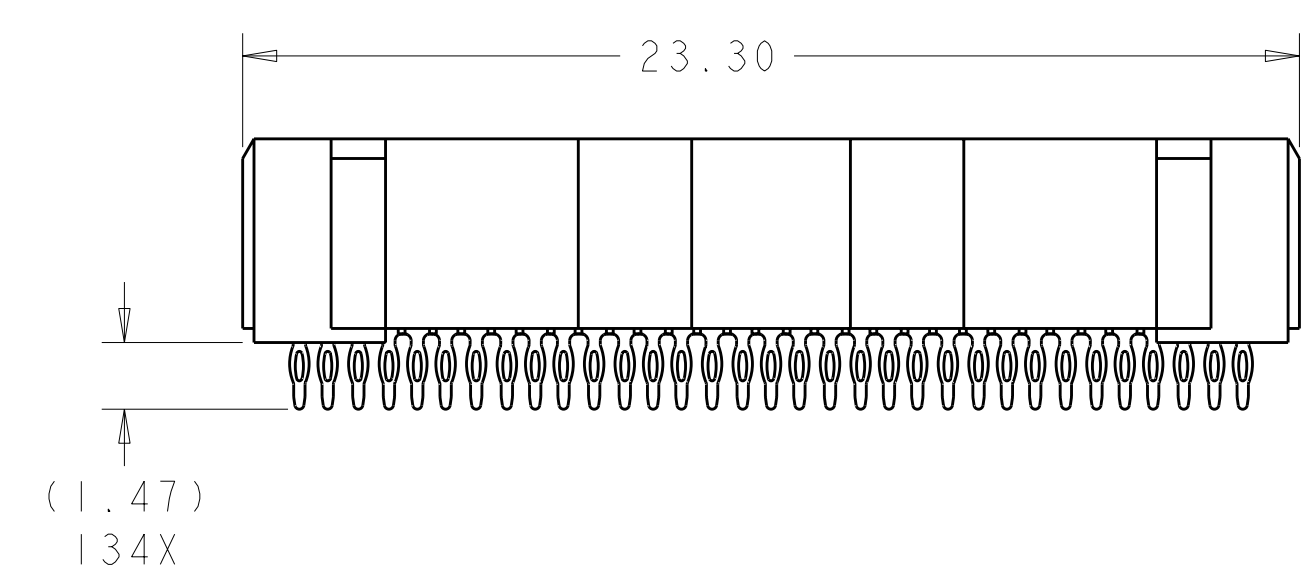
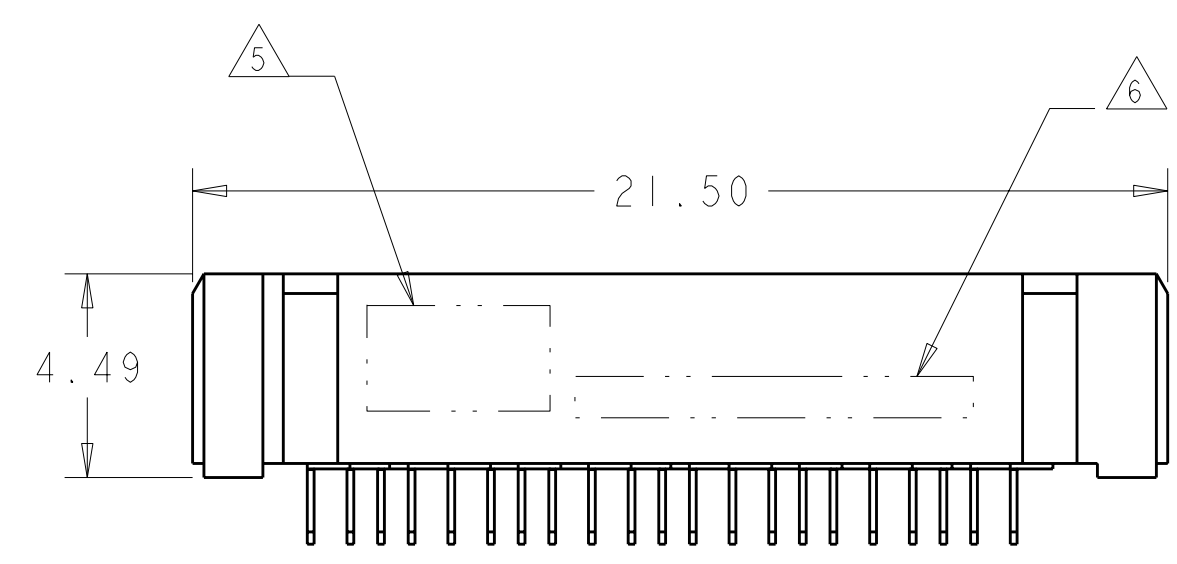


- △ MATERIAL:
HOUSING: THERMOPLASTIC, FLAMMABILITY RATING UL94-V0
CONTACT: COPPER ALLOY
- 2. CONFORMS TO THE REQUIREMENTS OF TE PRODUCT SPECIFICATION, 108-2375; BASED ON TELCORDIA GR-1217-CORE FOR SYSTEM QUALITY LEVEL III, APPLICATIONS IN CONTROLLED ENVIRONMENTS (CENTRAL OFFICE).
SEE TE PRODUCT SPECIFICATION 108-2375 FOR TEST SEQUENCES.
- △ ROWS GA THRU GJ (SHOWN DARKENED) ARE TYPICALLY USED AS GROUNDS.
- △ SPECIFIED POSITIONAL TOLERANCE DEFINES HOLE TO HOLE LOCATION WITHIN HOLE PATTERN. POSITIONAL TOLERANCE OF HOLE PATTERN TO FIDUCIAL MARKS OR PCB DATUMS SHALL BE DEFINED BY CUSTOMER.
- △ AREA RESERVED FOR TE CONNECTIVITY LOGO.
- △ AREA RESERVED FOR PART NUMBER (X-XXXXXXX-X) AND DATE CODE (YYWW).
- △ USE CENTERLINES INDICATED ON PCB HOLE PATTERN TO ESTABLISH ALIGNMENT BETWEEN HEADER AND RECEPTACLE BOARDS.
- △ PLATED THROUGH HOLE REQUIREMENTS:
HOLE SIZE PRIOR TO PLATING = $\varnothing 0.420 \pm 0.013$
COPPER PLATING THICKNESS = 0.038 ± 0.013
CALCULATED FINISHED HOLE SIZE = $\varnothing 0.344 \pm 0.039$
THESE DIMENSIONS APPLY TO THE TOP 1.25mm OF THE PCB THICKNESS FROM THE CONNECTOR MOUNTING SIDE.



SIZE 1 HOUSING *
40 DIFFERENTIAL PAIRS
134 TOTAL SIGNAL CONTACTS

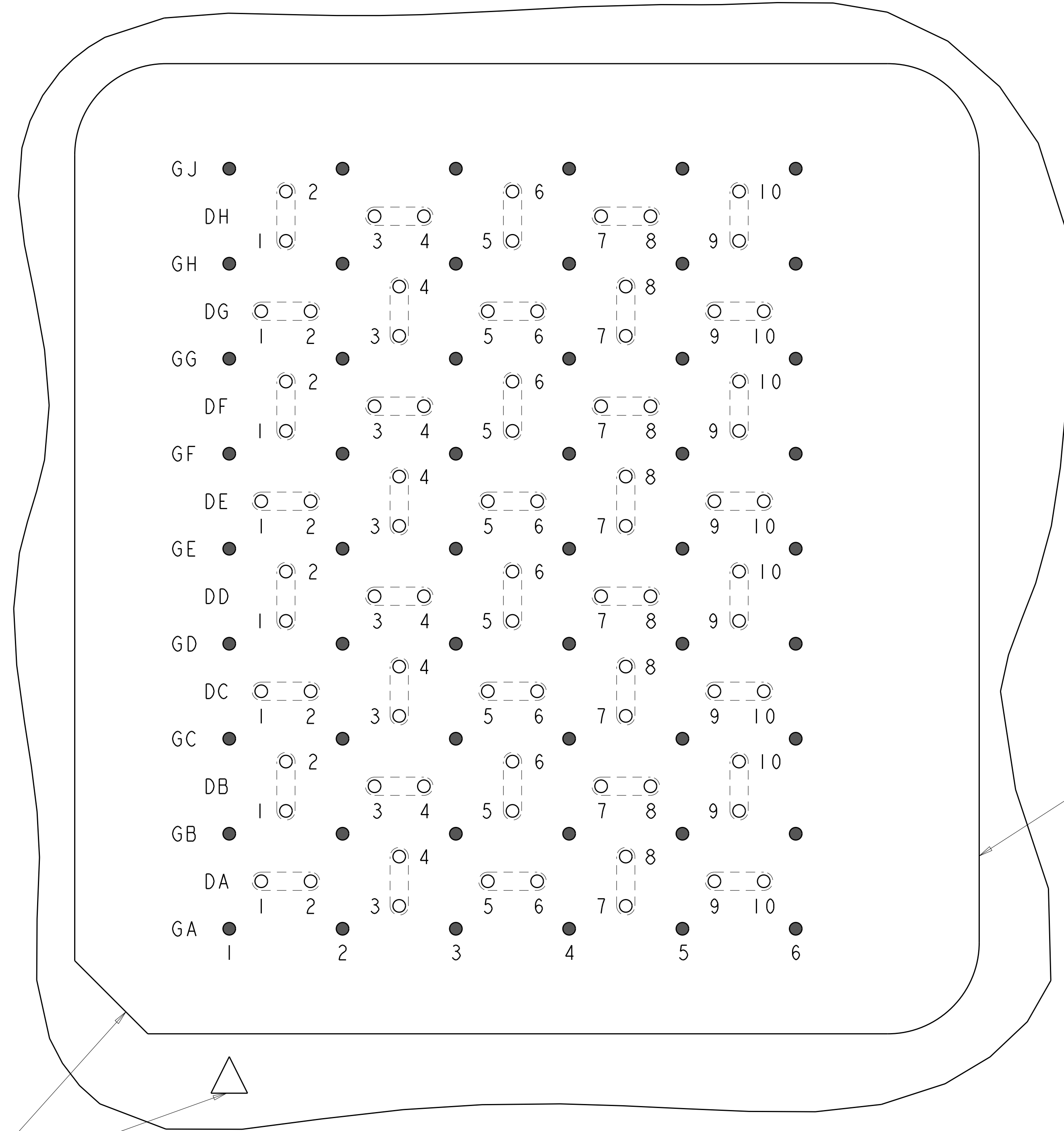
* SIZE 2 AND SIZE 3 ARE ALSO AVAILABLE



THIS PRODUCT HAS NOT COMPLETED VALIDATION AND QUALIFICATION TESTING

THIS DRAWING IS A CONTROLLED DOCUMENT.		DWN D. RINGLER 13FEB2009	5-2110321-1
DIMENSIONS:		CHK D. TROUT 13FEB2009	2110321-1
TOLERANCES UNLESS OTHERWISE SPECIFIED:		APVD J. FEDDER 13FEB2009	PART NUMBER
mm	0 PLC ±	TE Connectivity RECEPTACLE ASSEMBLY 40/134 SIGNAL STRADA MESA MEZZANINE CONNECTOR	
	1 PLC ±0.13		
	3 PLC ±0.013		
	4 PLC ±		
MATERIAL		PRODUCT SPEC 108-2375	RESTRICTED TO
FINISH		APPLICATION SPEC 114-13249	SIZE CAGE CODE DRAWING NO
MATERIAL		WEIGHT	A100779C=2110321
FINISH		CUSTOMER DRAWING	SCALE 6:1 SHEET 1 OF 3 REV 4


LOC	DIST	REVISIONS			
GP	00	REV	DATE	BY	APPD
		1	SEE SHEET 1		



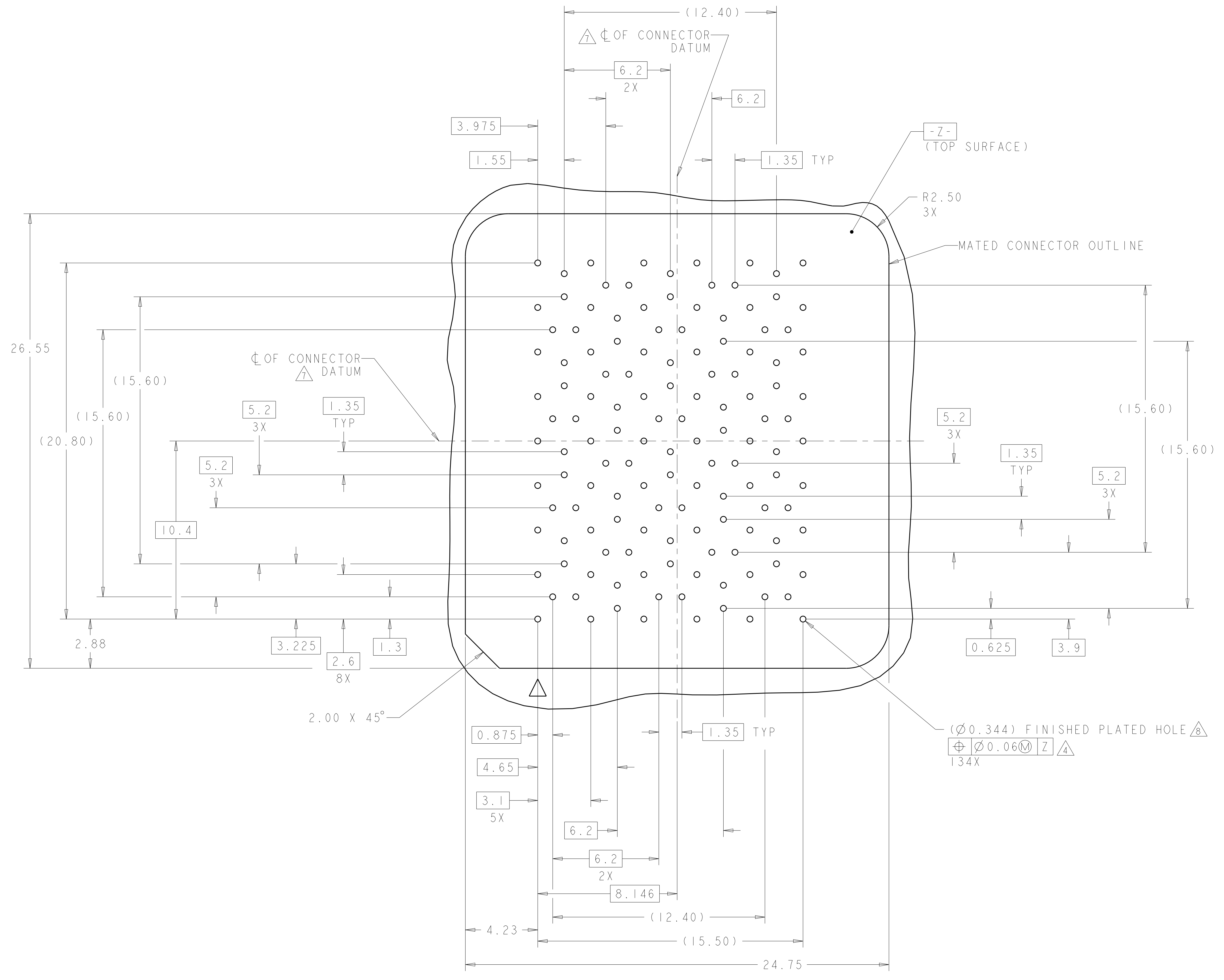
MATED CONNECTOR OUTLINE
 SEE SHEET 3 FOR LOCATION TO HOLES

A1 CORNER INDICATORS.

PCB LAYOUT AND PIN IDENTIFICATION 
 SHOWN FROM CONNECTOR SIDE
 SCALE 12:1

THIS DRAWING IS A CONTROLLED DOCUMENT.		DWN D. RINGLER 13FEB2009	 TE Connectivity
DIMENSIONS: mm		CHK D. TROUT 13FEB2009	
TOLERANCES UNLESS OTHERWISE SPECIFIED: 9 PLC ± 2 PLC ±0.13 5 PLC ±0.013 4 PLC ± ANGLES ±#1		APVD J. FEDDER 13FEB2009	NAME RECEPTACLE ASSEMBLY 40/134 SIGNAL STRADA MESA MEZZANINE CONNECTOR
MATERIAL		PRODUCT SPEC 108-2375	SIZE CAGE CODE DRAWING NO A1100779C=2110321
FINISH		APPLICATION SPEC 114-13249	RESTRICTED TO
CUSTOMER DRAWING		WEIGHT	SCALE 6:1 SHEET 2 OF 3 REV 4

LOC	DIST	REV	DATE	BY	APPD
GP	00				
REVISIONS					



THIS DRAWING IS A CONTROLLED DOCUMENT.		DWN D. RINGLER	13FEB2009	 TE Connectivity
DIMENSIONS: mm		CHK D. TROUT	13FEB2009	
TOLERANCES UNLESS OTHERWISE SPECIFIED: 9 PLC ± 2 PLC ±0.13 5 PLC ±0.013 4 PLC ± ANGLES ±1		APVD J. FEDDER	13FEB2009	NAME RECEPTACLE ASSEMBLY 40/134 SIGNAL STRADA MESA MEZZANINE CONNECTOR
MATERIAL		PRODUCT SPEC 108-2375		RESTRICTED TO
FINISH		APPLICATION SPEC 114-13249		SIZE A1100779C=2110321
		WEIGHT		SCALE 6:1 SHEET 3 OF 3 REV 4
		CUSTOMER DRAWING		