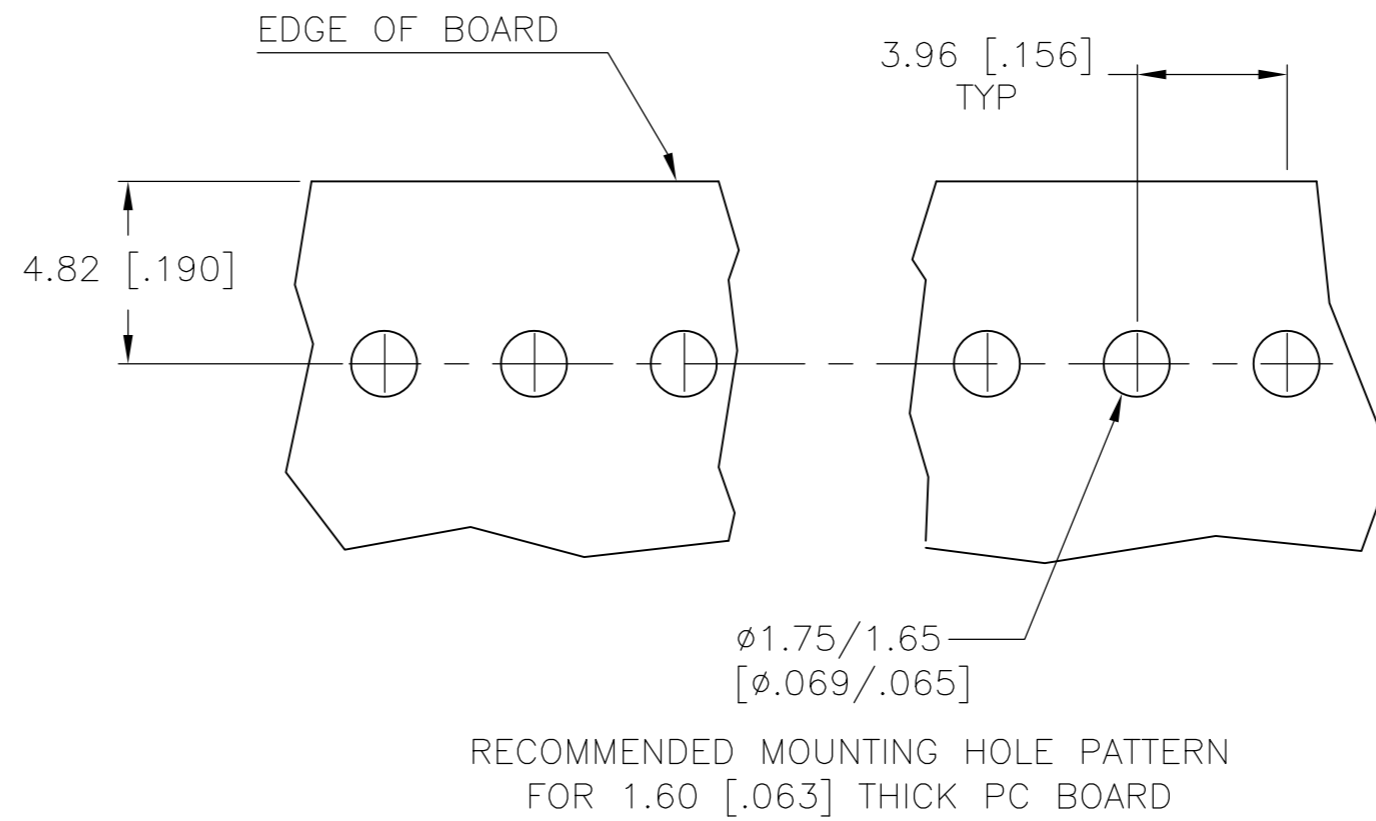
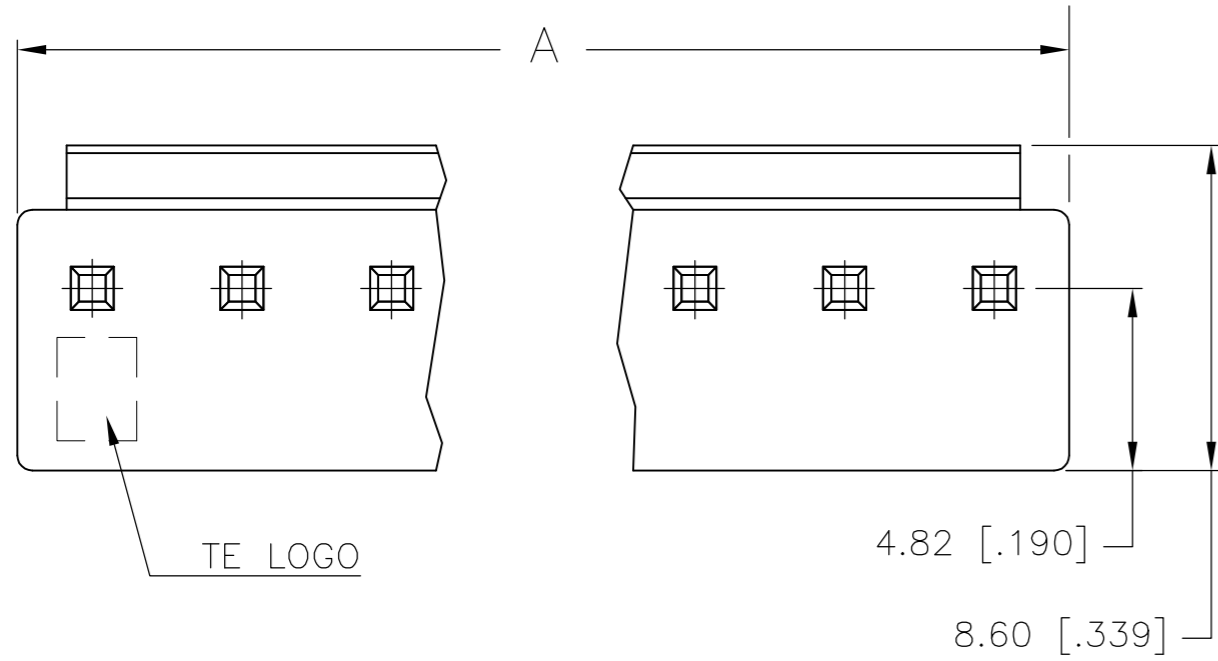
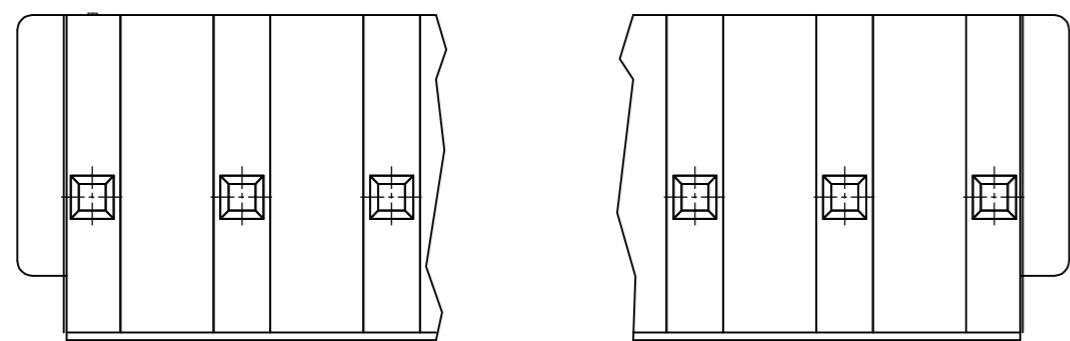
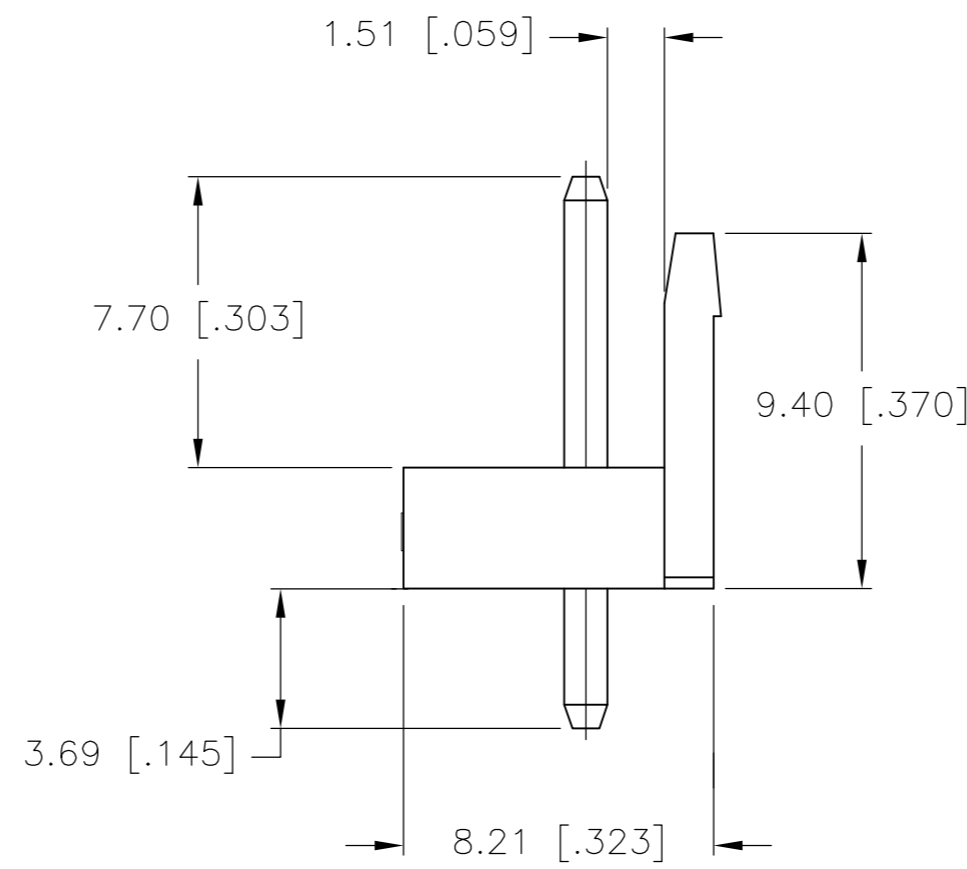
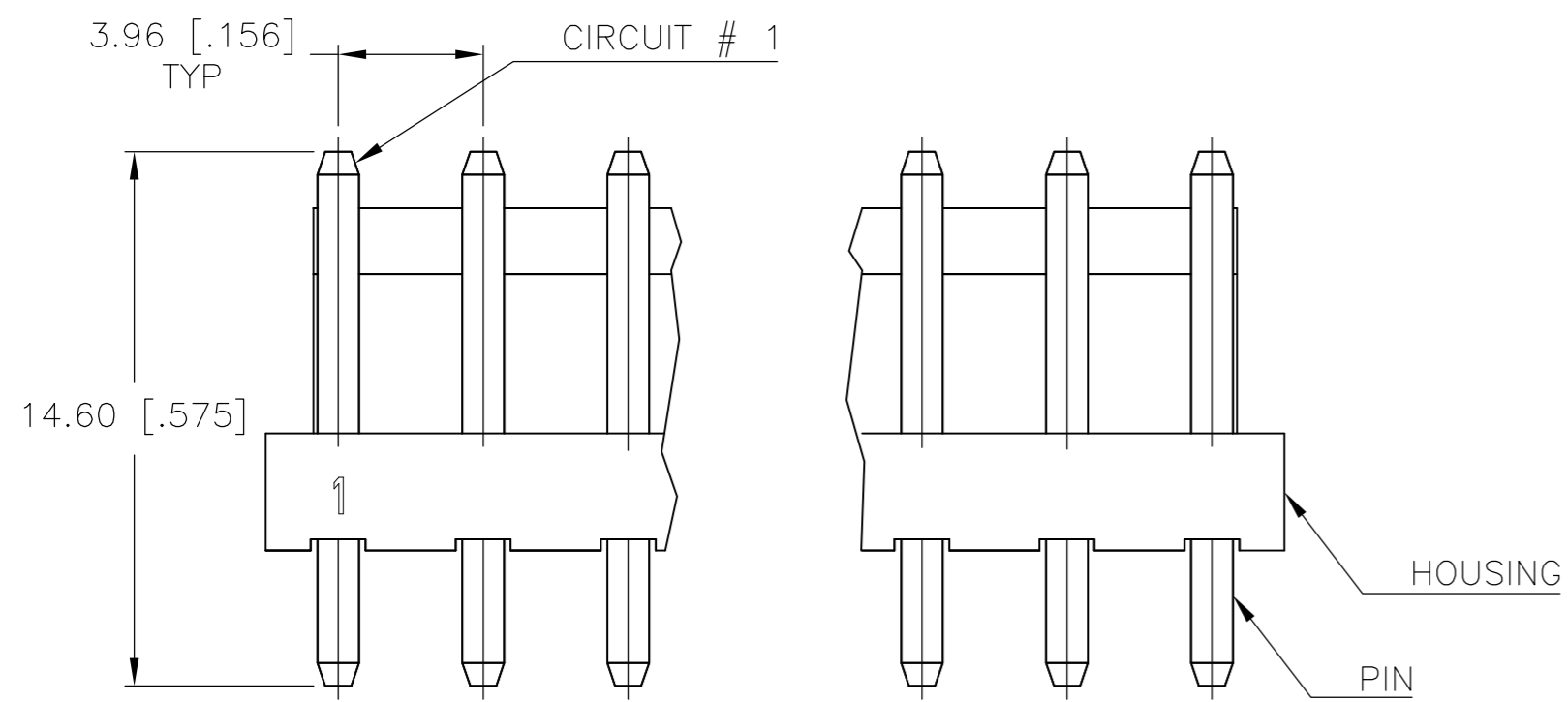


THIS DRAWING IS UNPUBLISHED. RELEASED FOR PUBLICATION
 © COPYRIGHT By - ALL RIGHTS RESERVED.

REVISIONS				
P	LTR	DESCRIPTION	DATE	APVD
C3		REVISED PER ECR-16-017535	09JAN17	O.C D.Z



- HOUSING MATERIAL: NYLON, UL94 V0.
- PIN MATERIAL: BRASS.
- PIN PLATING: 0.003 [.000120] MIN TIN OVER 0.001 [.000039] NICKEL.
- COMPLY WITH GLOW WIRE REQUIREMENTS FOR PARTS OF NON-METALLIC MATERIAL SUPPORTING A CURRENT-CARRYING CONNECTION DETAILED IN IEC 60335-1, SECTION 30 (GWT).



9	NATURAL	35.64 [1.403]	1744489-9
8	NATURAL	31.68 [1.247]	1744489-8
7	NATURAL	27.72 [1.091]	1744489-7
6	NATURAL	23.76 [0.935]	1744489-6
5	NATURAL	19.80 [0.780]	1744489-5
4	NATURAL	15.84 [0.624]	1744489-4
3	NATURAL	11.88 [0.468]	1744489-3
2	NATURAL	7.92 [0.312]	1744489-2
NO. OF POSITIONS	COLOR	± 0.30 [.012] DIM A	PART NUMBER

THIS DRAWING IS A CONTROLLED DOCUMENT.

DWN	JR RUTH	06FEB13
CHK	SAM MACE	09JAN12
APVD	SAM MACE	09JAN12

TE Connectivity

NAME: 108-5609

PRODUCT SPEC: APPLICATION SPEC

SIZE: A2 CAGE CODE: 00779 DRAWING NO: 1744489 RESTRICTED TO: -

SCALE: 5:1 SHEET: 1 of 1 REV: C3

CUSTOMER DRAWING

DIMENSIONS:	TOLERANCES UNLESS OTHERWISE SPECIFIED:
mm [INCHES]	
0 PLC	\pm
1 PLC	± 0.5 [.02]
2 PLC	± 0.30 [.012]
3 PLC	\pm
4 PLC	\pm
ANGLES	\pm
FINISH	