

SIZE	Part Num.	Threading	Headscrew
25	8655PHRA2501LF	UNC 4.40	Black
	8655PHRA2502LF	M3	Grey

NOTES:

Material: Polycarbonat (UL94V-0)

Cable strain relief: Polycarbonat (UL94V-0)

Temperature range: -40°C to 120°C

Cable diameter: 4,0 to 13,0 mm

Jackscrew:

- Headscrew : plastic, colour according threading
- Body : Metal, threading according tables

Packaging: Bulk, in box of 100 P/N

Covers screwing force (max): 100 Ncm

Jackscrew screwing force (max): 75 Ncm

NOTE:RoHS INFORMATIONS

- The "LF" product meets European union Directives and other country regulations as described in GS-22-008.
- The product is not intended to be exposed to a manufacturing solder process.
- Packaging spec: see GS-14-920.

DESIGNATION	REP	09	15	25	37
COVER BOTTOM	1			1	
JACKSCREWS	2	1		2	
STRAIN RELIEF	3			2	
COVER TOP	4			1	
SCREWS POZIDRIVE	5			2	

A

B

C

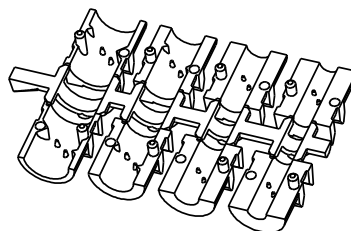
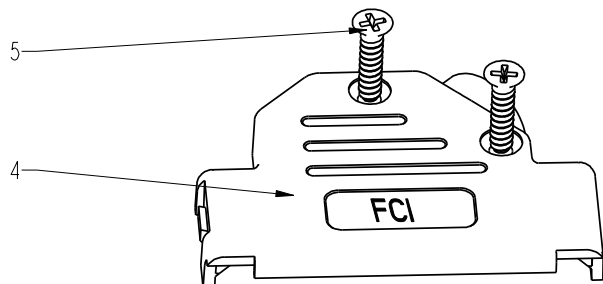
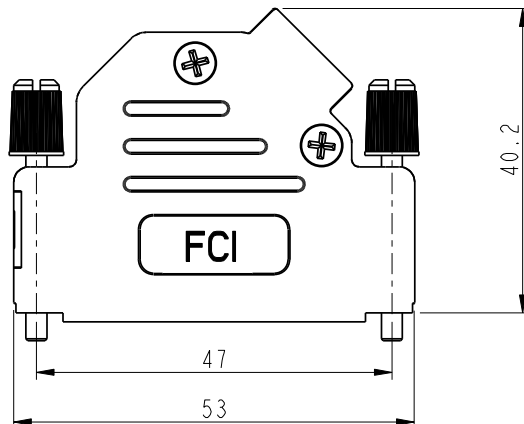
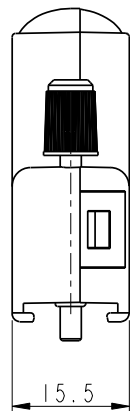
D

A

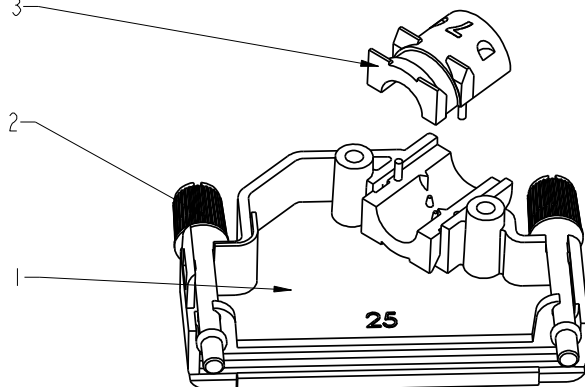
B

C

D



SCALE 1:1



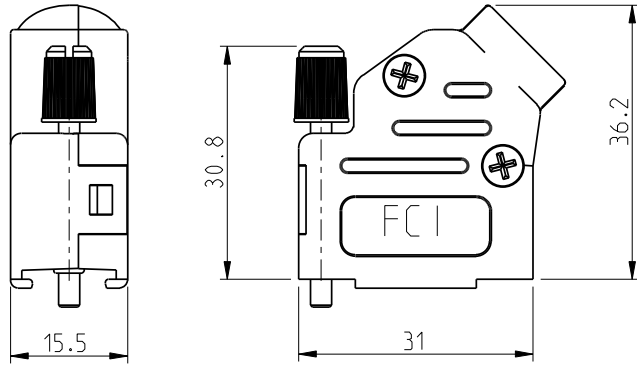
Copyright FCI.

REV E - 2006-03-28

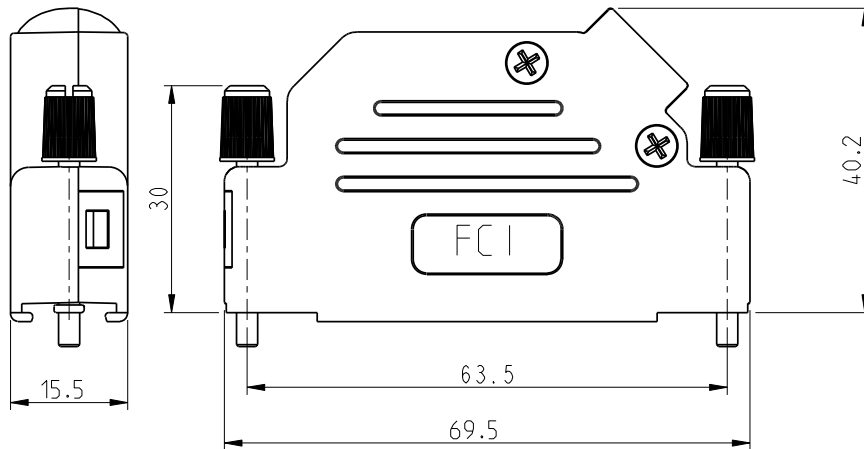
rev	ecn no	dr	date
A	LS05-0086	MPE	2005/10/05
B	LS06-0084	LGO	2006/06/20
C	LS07-0096	LGO	2007/04/04
D	F09-0223	LSA	2009/12/01
E	F09-0236	LSA	2009/12/22
F	F11-0046	APA	2011/04/05
G	F11-0073	APA	2011/06/17

www.fciconnect.com		surface ISO 1302	tolerance std ISO 406 ISO 1101	projection mm	TOLERANCES UNLESS OTHERWISE SPECIFIED	
Dr	BART.S	2005/10/17	ANGULAR	LINEAR	0.x ±0.3	±0.3
Eng	LENOIR.M	2005/10/17	0° ±2°		0.xx ±0.1	±0.1
Chr	LEGARE.P	2005/10/17			0.xxx ±0.05	±0.05
Appr	LEGARE.P	2005/10/17	Product family		D-SUB	Spec ref
FCI			D-SUB PLASTIC SHELLS		10061513C	
ANGLED			catalog no		CUSTOMER	
					sheet 1 of 3	

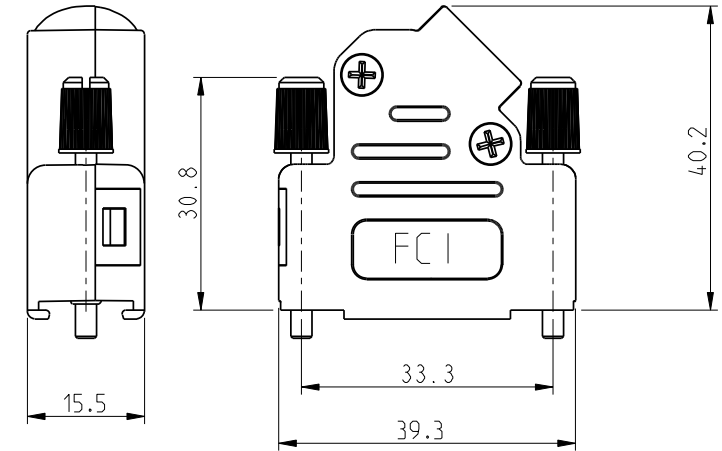
SIZE	Part Num.	Threading	Headscrew
9	8655PHRA0901LF	UNC 4.40	Black
	8655PHRA0902LF	M3	Grey



SIZE	Part Num.	Threading	Headscrew
37	8655PHRA3701LF	UNC 4.40	Black
	8655PHRA3702LF	M3	Grey



SIZE	Part Num.	Threading	Headscrew
15	8655PHRA1501LF	UNC 4.40	Black
	8655PHRA1502LF	M3	Grey



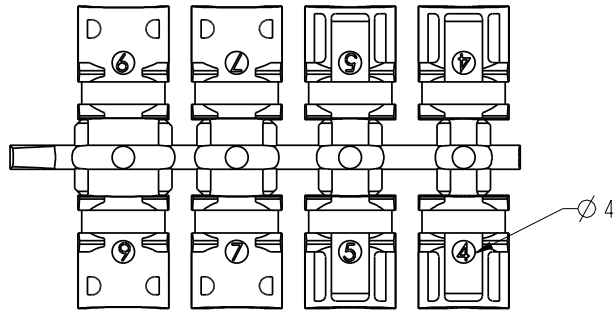
Copyright FCI.

www.fciconnect.com		surface ISO 1302	- ✓	tolerance std ISO 406	ISO 1101	projection ⊕	mm ↔
		TOLERANCES UNLESS OTHERWISE SPECIFIED				size A3	Scale 3:2
Dr	BART.S	2005/10/17	ANGULAR	L LINEAR	0.x	±0.3	ECN F11-0073
Eng	LENOIR.M	2005/10/17	0°	±2°	0.xx	±0.1	Spec ref -
Chr	LEGARE.P	2005/10/17	Product family		0.xxx	±0.05	
Appr	LEGARE.P	2005/10/17	D-SUB				
		Title D-SUB PLASTIC SHELLS ANGLED			dwg no 10061513C	Rev. G	
catalog no		-		CUSTOMER	sheet 2 of 3		

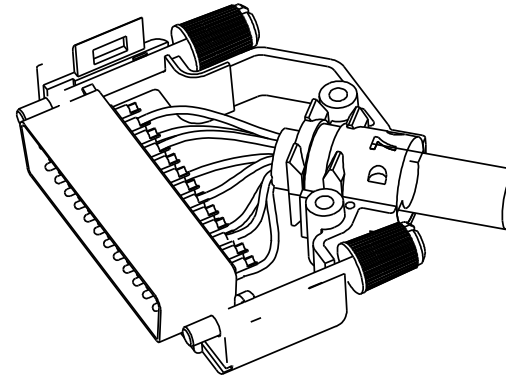
REV E - 2006-03-28

# CABLING INSTRUCTIONS

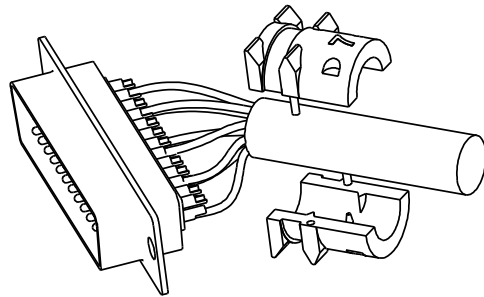
1- Use two halves of strain relief different sizes can be mixed (Ø4,5,7 or 9)



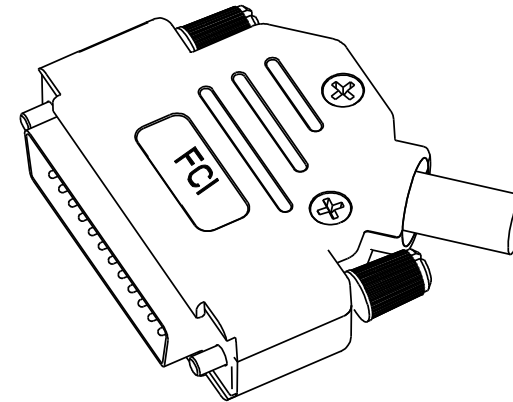
3- Mount connector and cable into the backshell



2- Attach the strain relief around the cable



4- Assemble the other half screwing force: 100 Ncm



Copyright FCI.

www.fciconnect.com		surface ISO 1302	tolerance std ISO 406 ISO 1101	projection mm	
		TOLERANCES UNLESS OTHERWISE SPECIFIED			
Dr	BART.S	2005/10/17	ANGULAR	0.X ±0.3	size A3
Eng	LENOIR.M	2005/10/17	LINEAR	0.XX ±0.1	Scale 3:2
Chr	LEGARE.P	2005/10/17	0° ±2°	0.XXX ±0.05	ECN F11-0073
Appr	LEGARE.P	2005/10/17	Product family	D-SUB	Spec ref -
FCI		Title D-SUB PLASTIC SHELLS		dwg no	10061513C
		ANGLED		Rev.	G
		catalog no		CUSTOMER	sheet 3 of 3