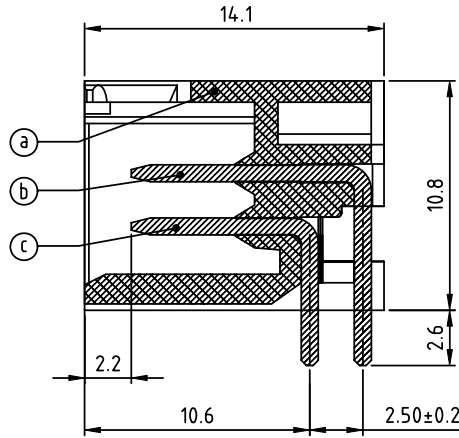
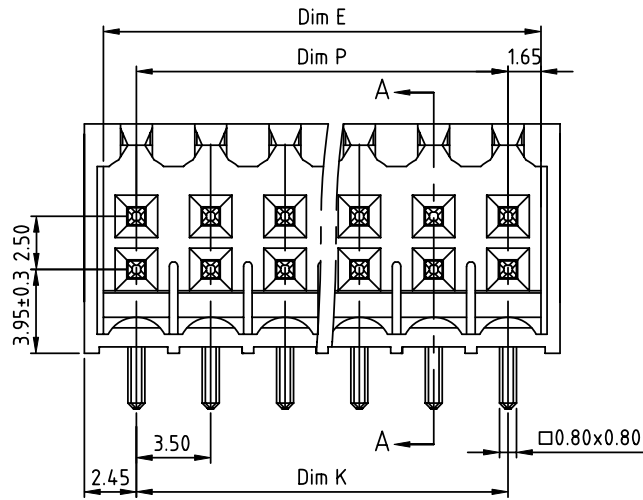
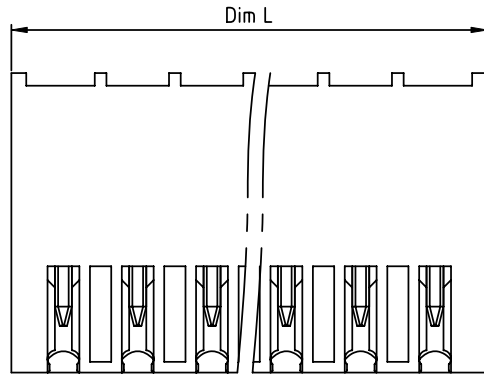
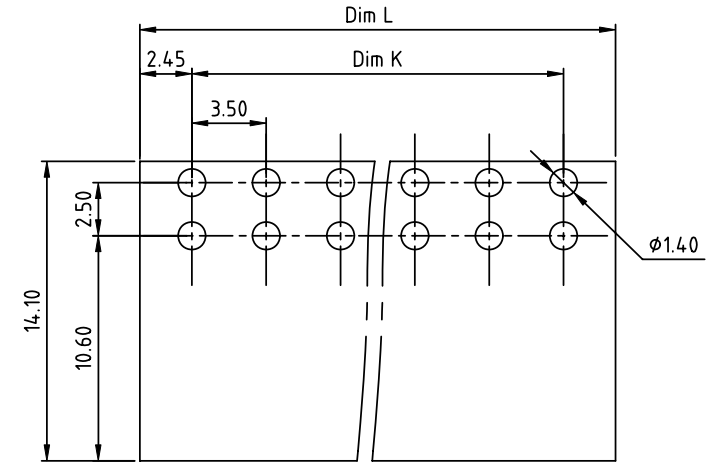


PRODUCT NUMBER	PITCH
VXxx1101B0J0G	3.50 mm



SECTION A-A



RECOMMENDED P.C.B LAYOUT
TOP VIEW

Material:

- ItemⒶ Terminal housing: High temp. polyamide (UL94V-0)
- ItemⒷ Long pin: Brass, Tin plated
- ItemⒸ Short pin: Brass, Tin plated

Electrical:

- Voltage rating: 150V
- Current rating: 7 A
- Withstanding Voltage: 1.3KV
- Operating temperature: -40°C to +115°C
- Soldering temperature: 260°C/10 Sec max
- Safety Approval:

$$\text{Dim L} = (N/2 - 1) \times 3.5 + 4.9$$

$$\text{Dim P} = (N/2 - 1) \times 3.5$$

$$\text{Dim K} = (N/2 - 1) \times 3.5$$

$$\text{Dim E} = (N/2 - 1) \times 3.5 + 3.3$$

N=Number of poles

Poles	Dim L	Dim P&Dim K	Dim E
2x2p-2x6p	±0.15	±0.10	±0.15
2x7p-2x12p	±0.25	±0.20	±0.25
2x13p-2x16p	±0.35	±0.30	±0.35

PART NO.: VX xx 11 0 1 B0J0 G

- Solid block
- No. of poles
- 04 2x2 poles
- 06 2x3 poles
-
- 32 2x16 poles
- Color
- 0 Black (RAL9005)
- RoHS compliant (lead<4%)
- In copper Alloy

mat'l. code		surface ASME Y14.5	tolerance ASME Y14.5	projection 	product family TERMINAL BLOCK
ltr	ecn no	dr	date		title TERMINAL BLOCK
				tolerances unless otherwise specified	PLUGGABLE SOCKET, RIGHT ANGLE, CLOSE TYPE, THR
				angles X±1°	scale MM
				dr EVIN ZHONG 050714	dwg no VXxx1101B0J0G
				enr EVIN ZHONG 050714	sheet 1 of 1 size A4
				chr HANKE FENG 050714	type CUSTOMER Drawing
				appd SHI JUN 050714	
sheet index	revision	A			
	sheet	1			