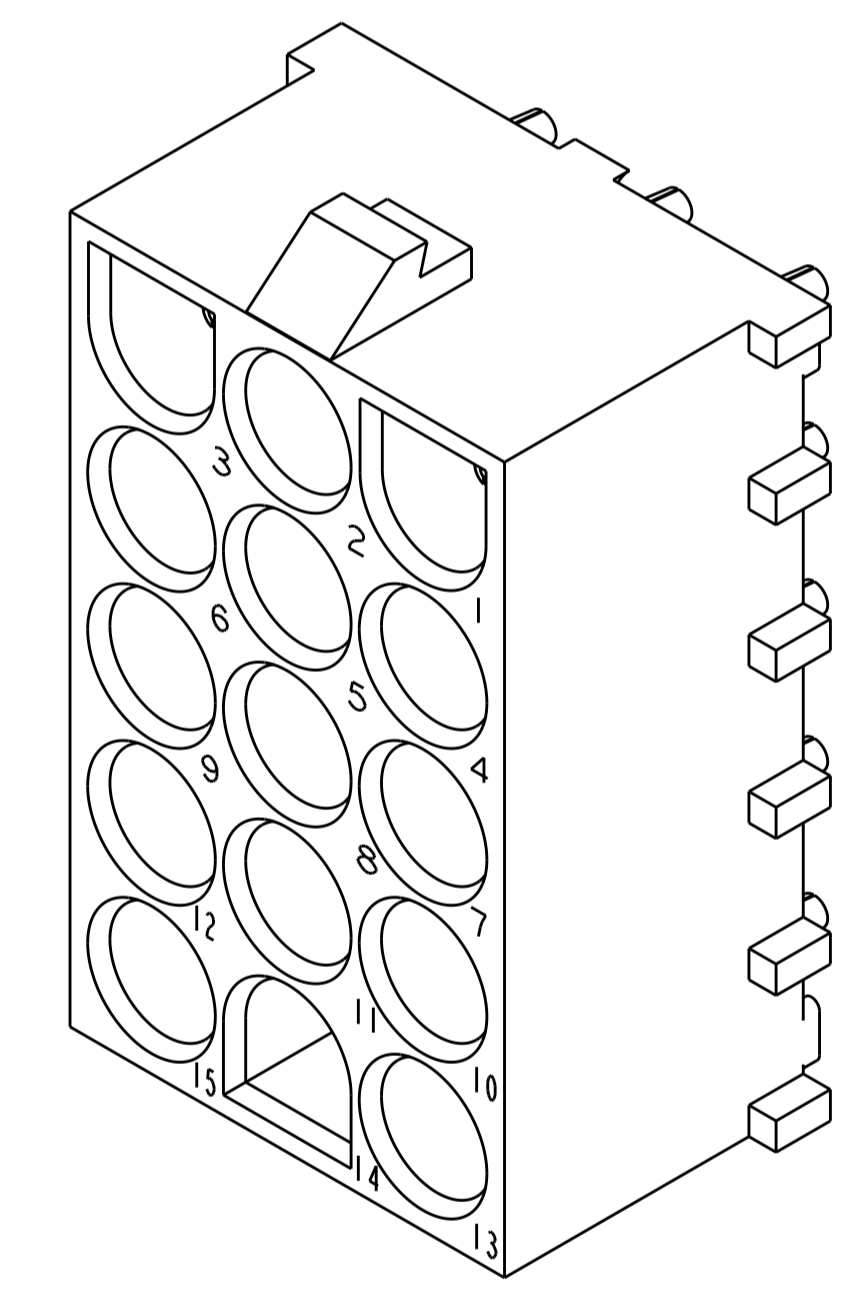
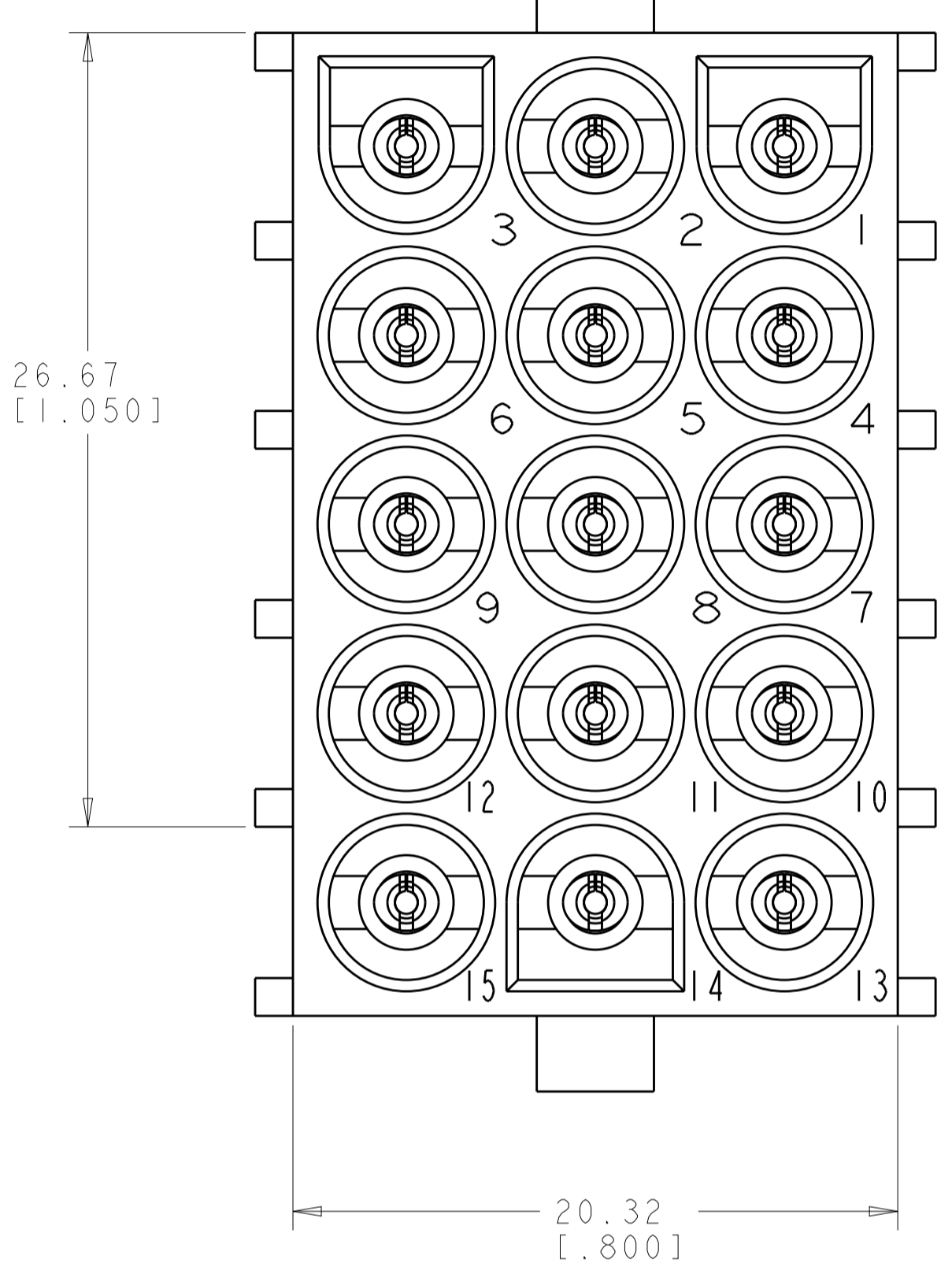
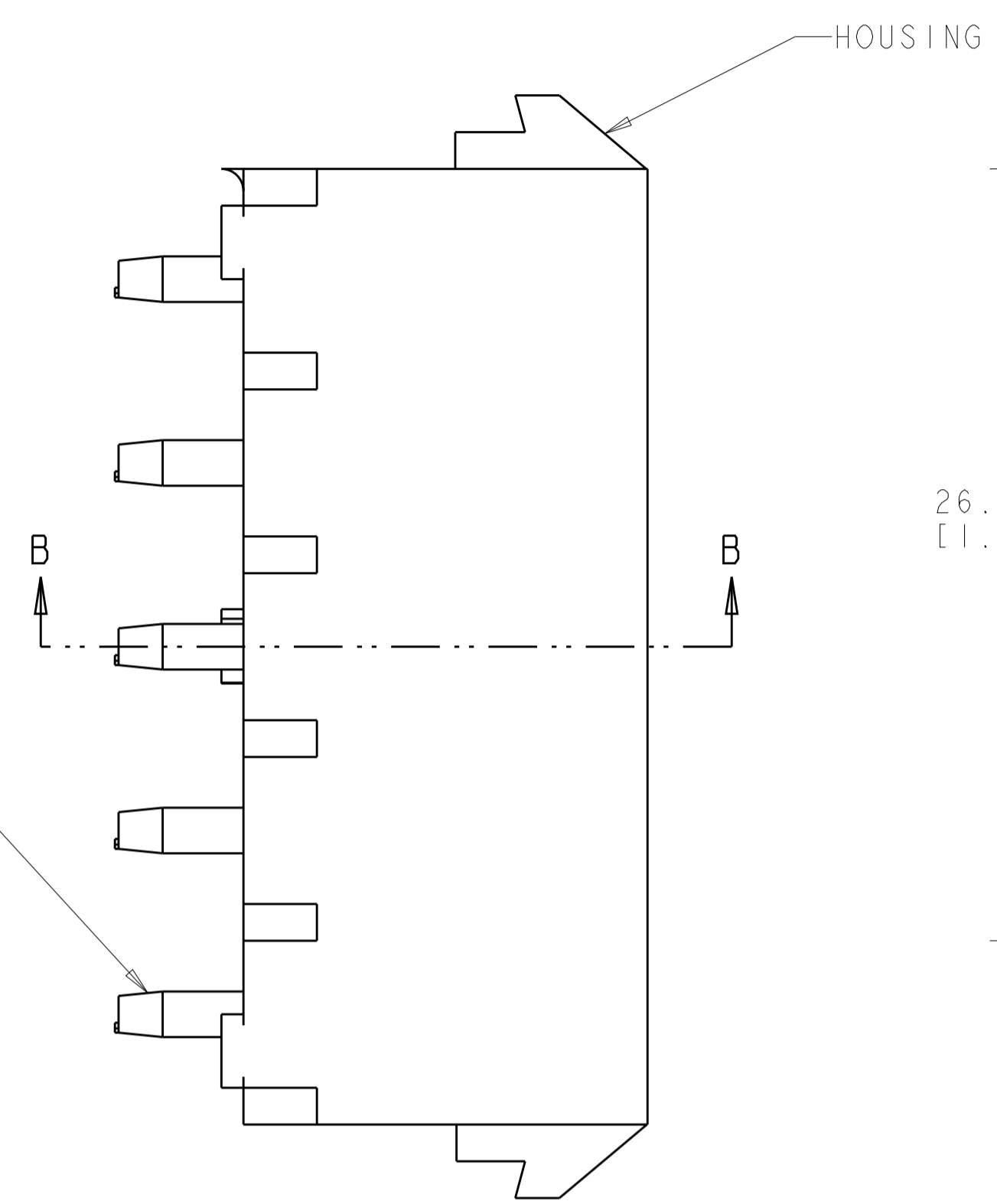
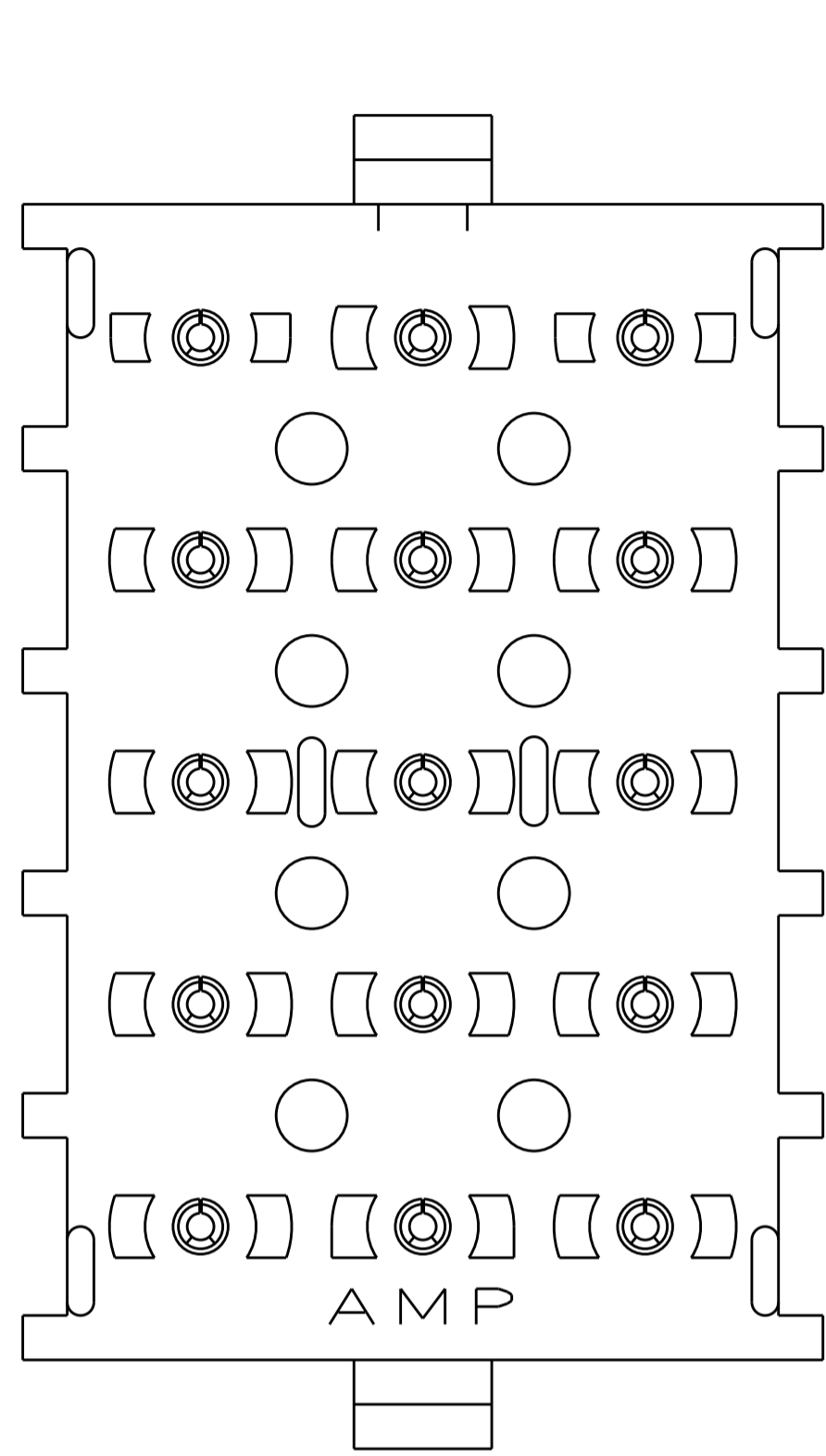
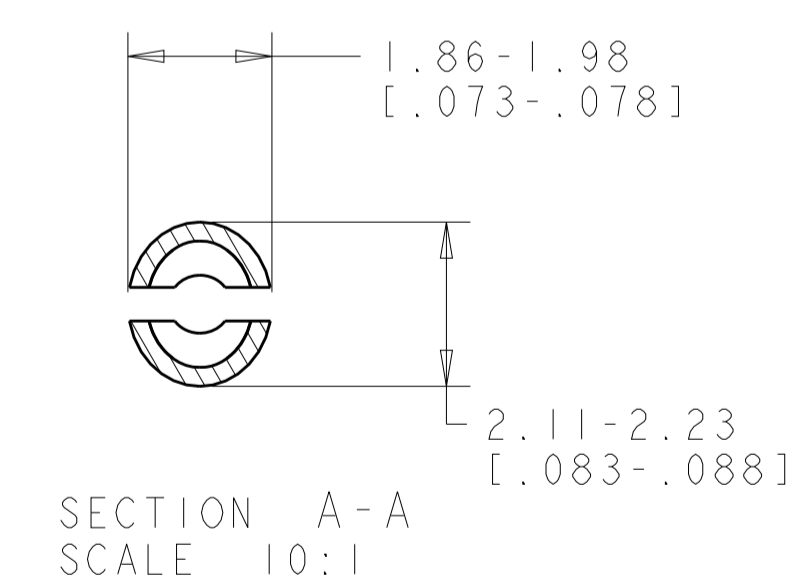
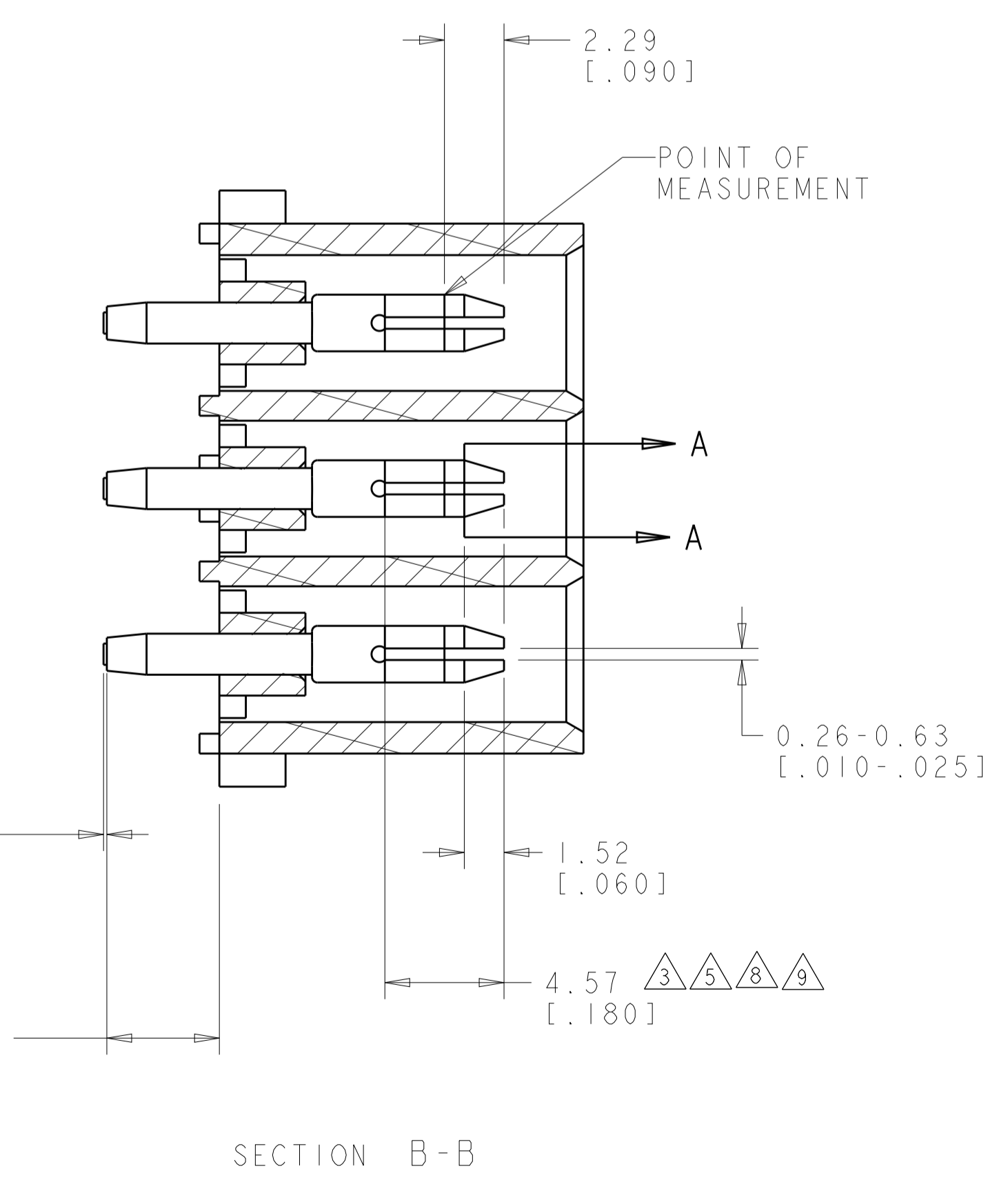
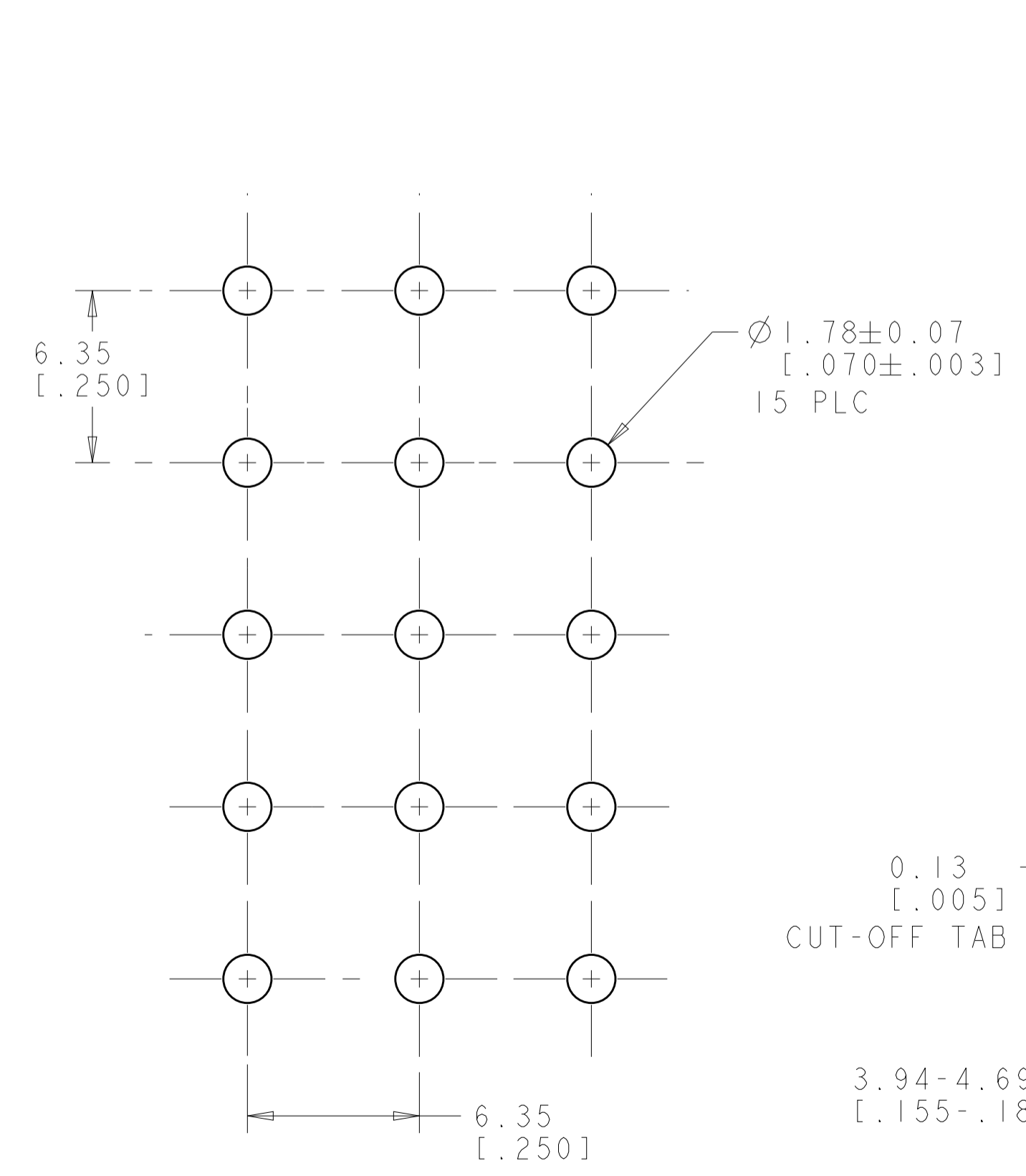


LOC	DIST	REV	DATE	BY	CHK	APP'D
CM	00	P4	24JAN2013	KH	TM	

- MATES WITH HOUSING 350736.
- NOTE DELETED.
- PARTS COMPLY TO AMP SOLDERABILITY SPECIFICATION 109-11-3.
- CONTACT IS PLATED OVERALL WITH 0.00127 [.000050] NICKEL, THEN 0.00076 [.000030] GOLD OVER CONTACT LENGTH INDICATED AND TIN LEAD ON SOLDER TAIL END.
- CONTACT IS PLATED OVERALL WITH 0.00127 [.000050] NICKEL, THEN 0.00038 [.000015] GOLD OVER CONTACT LENGTH INDICATED AND TIN LEAD ON SOLDER TAIL END.
- PACKAGED PER SPEC 107-1202.
- CIRCUIT IDENTIFICATION CHARACTERS ARE ADJACENT TO THE INDICATED CAVITIES, BUT LOCATION AND ORIENTATION MAY DIFFER FROM PRINT.
- CONTACT IS PLATED OVERALL WITH 0.00127 [.000050] NICKEL, THEN 0.00076 [.000030] GOLD OVER CONTACT LENGTH INDICATED AND MATTE TIN ON SOLDER TAIL END.
- CONTACT IS PLATED OVERALL WITH 0.00127 [.000050] NICKEL, THEN 0.00038 [.000015] GOLD OVER CONTACT LENGTH INDICATED AND MATTE TIN ON SOLDER TAIL END.
- DIMENSIONS IN BRACKETS ARE IN INCHES.
- OBSOLETE PARTS: OBSOLETE CIS STREAMLINING PER D.RENAUD/D.SINISI
- SUPERSEDED BY 350714-4



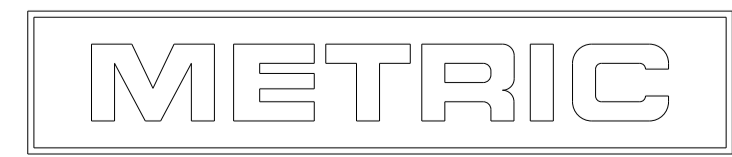
3 DIMENSIONAL MODEL
SCALE 4:1



SECTION A-A
SCALE 10:1

FINISH	MATERIAL	COLOR	PART NUMBER
△6	PHOSPOR BRONZE, PRE-TIN	NYLON, UL94V-0, NATURAL	1-350714-1
OBSOLETE	PHOSPOR BRONZE, GOLD △4	NYLON, UL94V-0, NATURAL	350714-5
	PHOSPOR BRONZE, GOLD △8	NYLON, UL94V-0, NATURAL	350714-4
△7	PHOSPOR BRONZE, GOLD △4	NYLON, UL94V-0, NATURAL	350714-3
△2	PHOSPOR BRONZE, GOLD △4	NYLON, UL94V-0, NATURAL	350714-2
	PHOSPOR BRONZE, PRE-TIN	NYLON, UL94V-0, NATURAL	350714-1
PIN CONTACT MATERIAL AND FINISH		HOUSING MATERIAL AND COLOR	PART NUMBER

RECOMMENDED MOUNTING HOLE PATTERN FOR 1.57 [.062] THICK P.C. BOARD HOLE THAT CORRESPONDS TO REMOVED CONTACT CAN BE OMITTED



THIS DRAWING IS A CONTROLLED DOCUMENT.

DATE: 26 JULY 2005
 CHK: R. WHITAKER
 S. RIDGILL
 APVD: S. RIDGILL
 PRODUCT SPEC: -
 APPLICATION SPEC: -
 WEIGHT: -
 CUSTOMER DRAWING: -

NAME: PIN HEADER ASSEMBLY, 15 CIRCUIT, UNIVERSAL MATE-N-LOK(TM)

SIZE: A1
 CAGE CODE: 00779
 DRAWING NO: 350714

SCALE: 1:1
 SHEET: 1 OF 1
 REV: P4