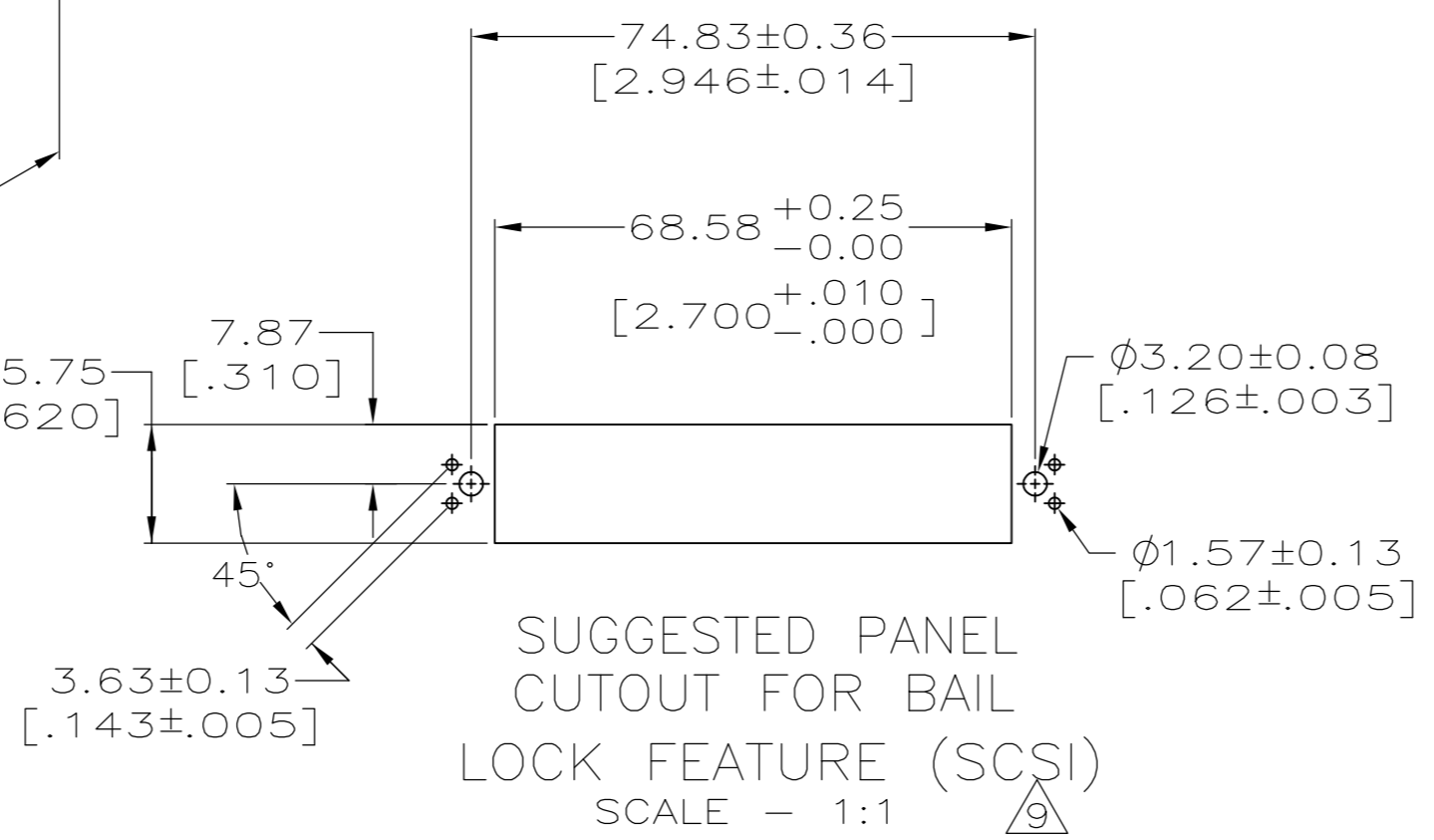
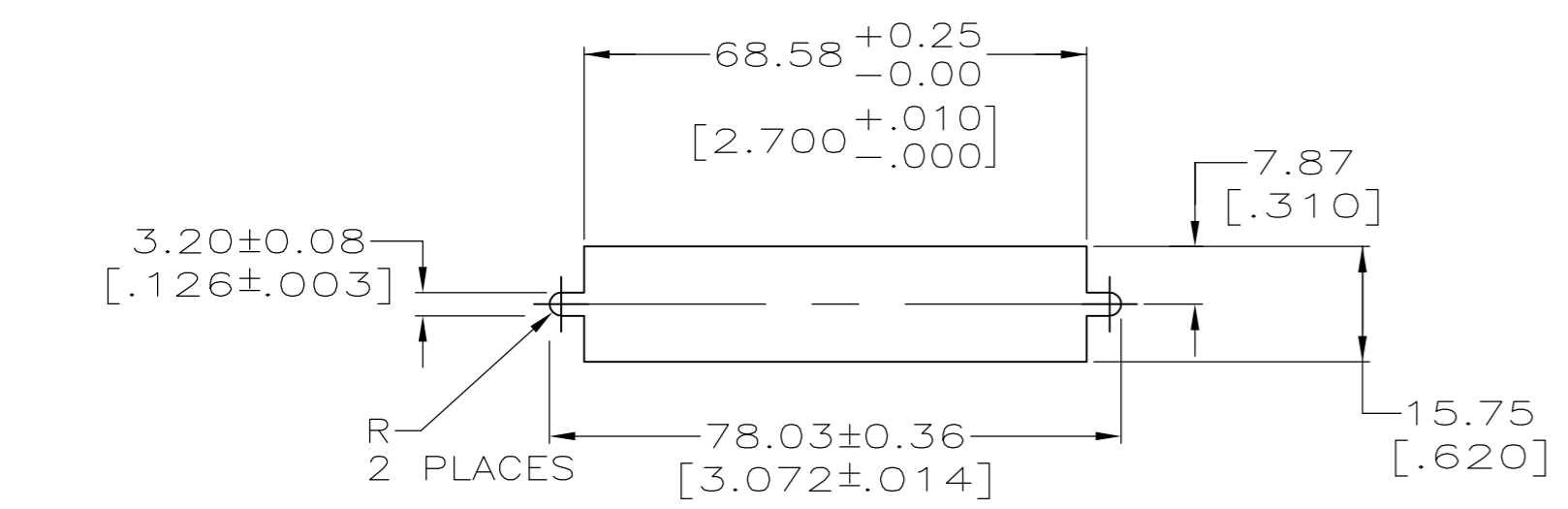
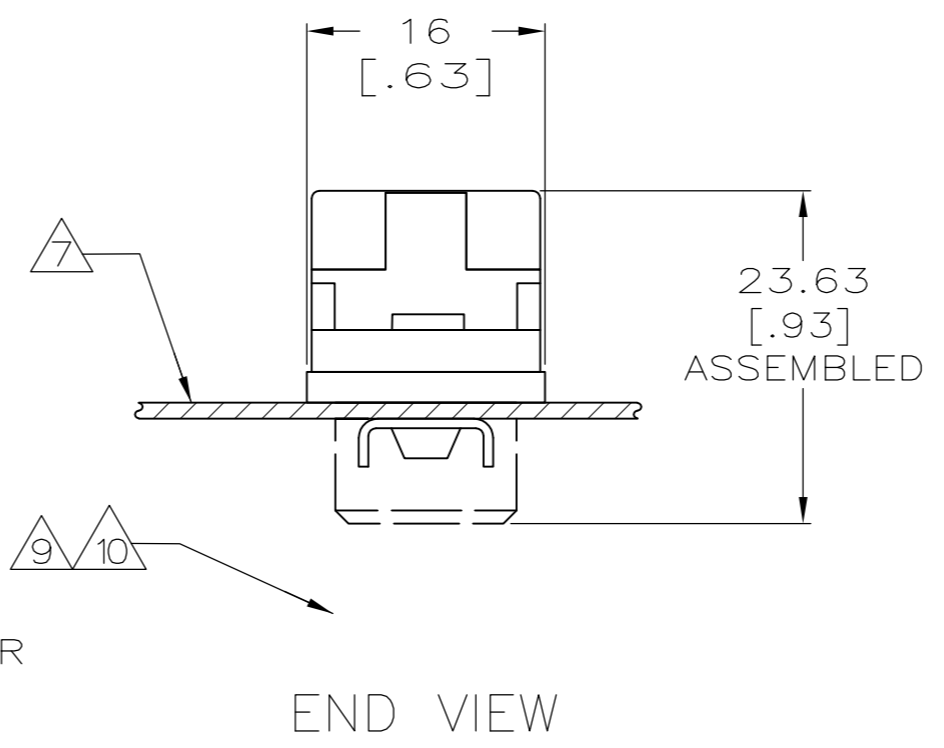
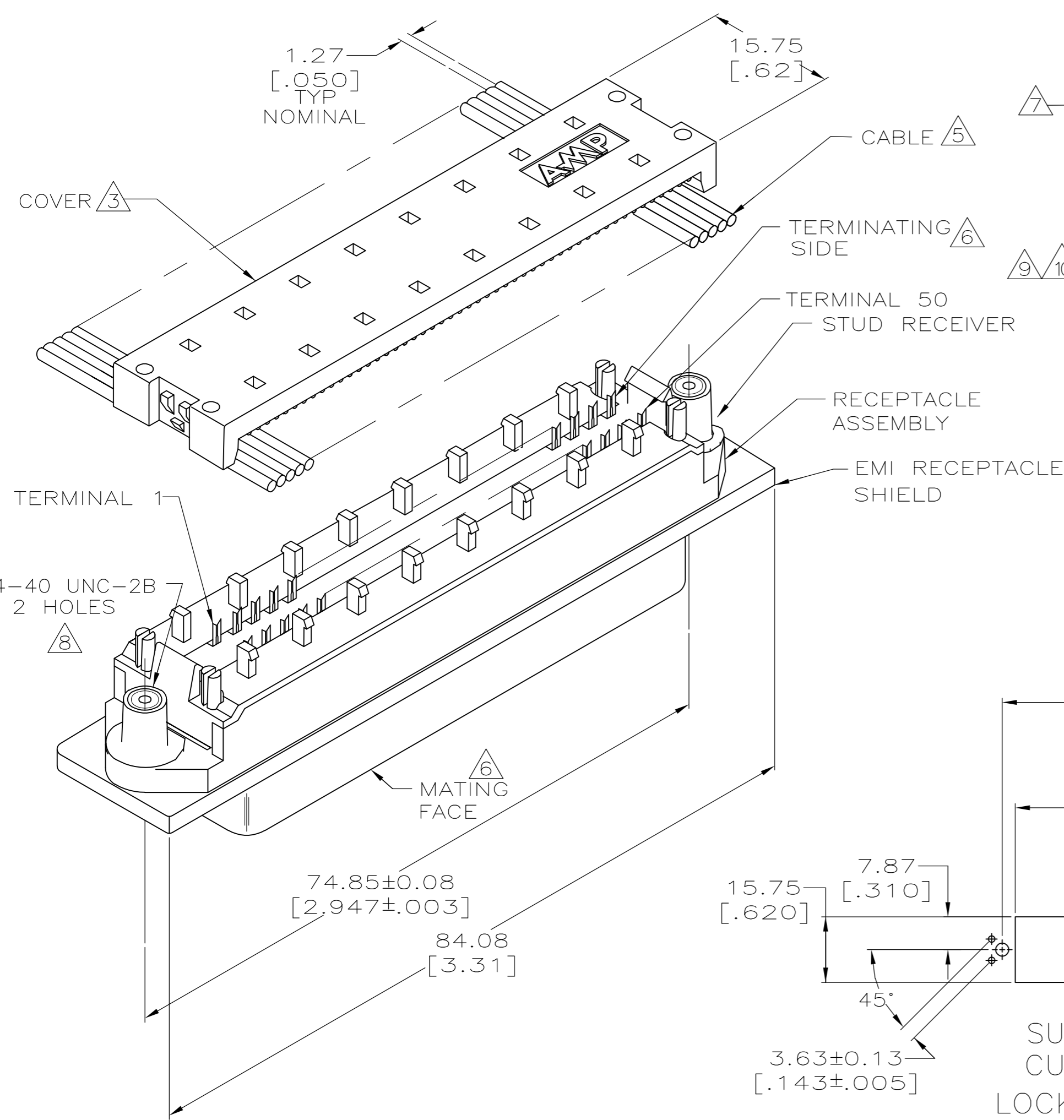


THIS DRAWING IS UNPUBLISHED. RELEASED FOR PUBLICATION  
 © COPYRIGHT BY TYCO ELECTRONICS CORPORATION. ALL RIGHTS RESERVED.

LOC	DIST	REVISIONS			
P	LTR	DESCRIPTION	DATE	DWN	APVD
GP	00	K	REVISED PER ECO-08-007327	17APR08	BM WM



- THE CONTACT SURFACES OF THE TERMINALS ARE COATED WITH LUBRICANT.
- MATERIAL:  
 HOUSING & COVER - POLYPHENYLENE OXIDE (BLACK).  
 TERMINALS - PHOS BRONZE PLATED WITH EITHER 0.76µm [.000030] MINIMUM GOLD PLATE OR GOLD FLASH OVER PALLADIUM NICKEL PLATE, 0.76µm [.000030] MIN TOTAL ON MATING SURFACE. GOLD FLASH PLATED ON TERMINATING SIDE. 1.27µm [.000050] MINIMUM NICKEL UNDERPLATE OVER ENTIRE TERMINAL.  
 EMI SHIELD - NICKEL PLATED DIE CASTING.  
 STUD RECEIVER - STAINLESS STEEL.
- COVER SHOWN LOOSE BUT SHIPPED ASSEMBLED.
- WIRE RANGE: 26 AWG SOLID THRU 30 AWG SOLID AND 28 AWG STRANDED RIBBON CABLE.
- FLAT CABLE SHALL BE FURNISHED BY CUSTOMER.
- MATING FACE CONSISTS OF TWO ROWS OF TERMINALS ON 2.16 [.085] CENTERS. TERMINATING SIDE CONSISTS OF TERMINALS ON 2.54 [.100] CENTERS FOR AN EFFECTIVE 1.27 [.050] TERMINATION.
- PANEL THICKNESS RANGE: 1.58 [.062] MAXIMUM.
- HOLES TO BE TAPPED AFTER PLATING.
- USE HARDWARE KIT 554818-2 WHEN BAIL LOCK FEATURE IS REQUIRED.
- THE BAIL LOCK FEATURE HAS APPLICATION FOR SMALL COMPUTER SYSTEMS INTERFACE (SCSI).
- ALL DIMENSIONS SHOWN ARE MAXIMUM UNLESS OTHERWISE SPECIFIED.

554436-2  
 PART NO

THIS DRAWING IS A CONTROLLED DOCUMENT.		DWN K. TILLMAN/JTA 12-21-93	Tyco Electronics Corporation Harrisburg, PA 17105-3608	
DIMENSIONS: mm [INCHES]		CHK C. WHITT 9-13-94	NAME EMI RECEPTACLE ASSEMBLY, 50 POSITION, LOW PROFILE, SHIELDED, SCREW LOCK,	
TOLERANCES UNLESS OTHERWISE SPECIFIED:		APVD J. HARRIS 9-20-94	PRODUCT SPEC 108-6076	
0 PLC ± -	1 PLC ± -	APPLICATION SPEC 114-6030	SIZE A2	CAGE CODE 00779
2 PLC ± -	3 PLC ± -	WEIGHT -	DRAWING NO C=554436	RESTRICTED TO -
4 PLC ± -	ANGLES ± -	CUSTOMER DRAWING	SCALE 2:1	SHEET 1 OF 1
MATERIAL 2	FINISH 2	REV K		

SUGGESTED PANEL CUTOUT FOR SCREWLOCK FEATURE  
 SCALE 1:1

SUGGESTED PANEL CUTOUT FOR BAIL LOCK FEATURE (SCSI)  
 SCALE - 1:1